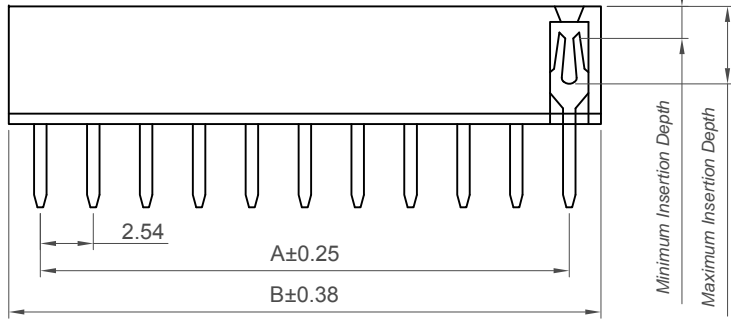
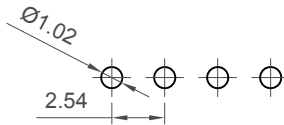


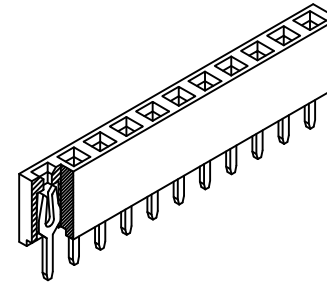
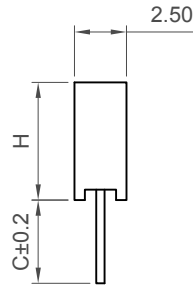
H=8.50: Pin = 0.60mm x 0.40mm
H=5.65: Pin = 0.74mm x 0.40mm



H=8.50: Maximum Insertion Depth = 6.20 ref.
H=5.65: Maximum Insertion Depth = 4.36 ref.
H=8.50: Minimum Insertion Depth = 2.00 ref.
H=5.65: Minimum Insertion Depth = 1.75 ref.



Recommended PCB Layout



Number of Contacts	Dimensions	
	A	B
2	2.54	5.58
3	5.08	8.12
4	7.62	10.66
5	10.16	13.20
6	12.70	15.74
7	15.24	18.28
8	17.78	20.82
9	20.32	23.36
10	22.86	25.90
11	25.40	28.44
12	27.94	30.98
13	30.48	33.52
14	33.02	36.06
15	35.56	38.60
16	38.10	41.14
17	40.64	43.68
18	43.18	46.22
19	45.72	48.76
20	48.26	51.30
21	50.80	53.84
22	53.34	56.38
23	55.88	58.92
24	58.42	61.46
25	60.96	64.00
26	63.50	66.54
27	66.04	69.08
28	68.58	71.62
29	71.12	74.16
30	73.66	76.70
31	76.20	79.24
32	78.74	81.78
33	81.28	84.32
34	83.82	86.86
35	86.36	89.40
36	88.90	91.94
37	91.44	94.48
38	93.98	97.02
39	96.52	99.56
40	99.06	102.10

Specifications 规格

Material 物料

Contact端子: Copper Alloy
Insulator Material 绝缘体:
Standard 标准: Polyamide, Nylon 6T, UL 94V-0
Options 可选: Polymer, LCP, UL 94V-0

Electrical 电气

Current Rating 电流额定值: 3 Amp Per Pin
Insulator Resistance 绝缘电阻值: 1000 MΩ min.
Contact Resistance 接触电阻值: 20 mΩ max.
Dielectric Withstanding 耐电压: AC 600 V

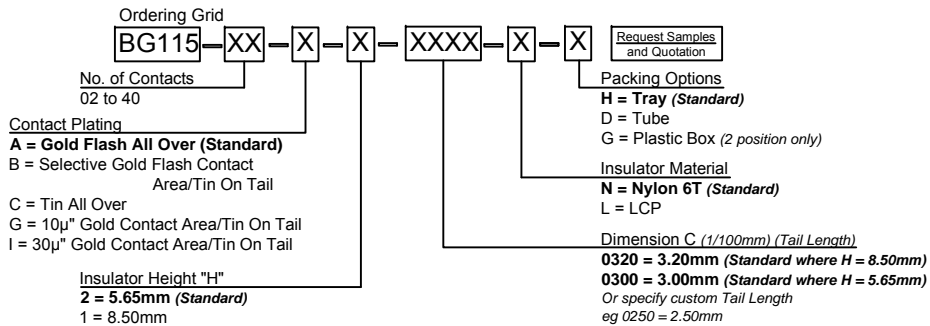
Environmental & Mechanical 机械 & 环境

Operating Temperature 工作温度: -40° to +105°C
Soldering Process 可焊性:
Nylon 6T (Standard 标准物料) -

IR Reflow 回流焊: 260°C for 10 sec.
Wave 波峰焊: 230°C for 5-10 sec.
Manual Solder 人工焊接: 350°C for 3-5 sec

LCP (Option 可选物料) -

IR Reflow 回流焊: 260°C for 10 sec.
Wave 波峰焊: 250°C for 5-10 sec.
Manual Solder 人工焊接: 350°C for 3-5 sec



Mates with 配套之公头 (Subject to pin length 在端子长度适合的条件下)

BG020	BG030	BG031	BG035
BG055	BG060	BG075	BG080

Part Number		Product Description	
BG115		2.54mm Pitch Socket	
Drawing Date		Single Row, Through-Hole, Vertical	
30th October 2006			
By	CC	Tolerances (Except as Noted)	Units:
Detail	BG115 G PCN	Length X. ± 0.30 XX ± 0.20 XXX ± 0.15 X.XXX ± 0.10	Metric (mm)
Revision	G2	Angle X.° ± 5° X.X° ± 2° X.XX° ± 1° X.XXX° ± 0.5°	3rd Angle Projection
Date	27/06/17		



This drawing is confidential and copyright of Global Connector Technology, Ltd (GCT). This drawing must not be copied or disclosed without written consent. E & OE



Not to Scale	Drawn By LYH	Sheet No. 1/1
--------------	--------------	---------------

H
G
F
E
D
C
B
A