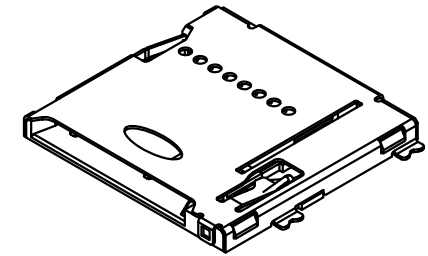


Recommended PCB Layout

As viewed from component side General Tolerance: ±0.05

☐ Solder Area ⓧ Keep Out Area □ Component Outline



Specifications

- Material**
 Housing: Hi-temp Thermoplastic, UL94V-0, Black
 Contact Terminal: Copper Alloy
 Metallic Shell: Stainless Steel
 Coil Spring: SWP
 Latch: Stainless Steel
 Slider: Hi-temp Thermoplastic, UL94V-0, Black
 CD Pin: Copper Alloy

Plating

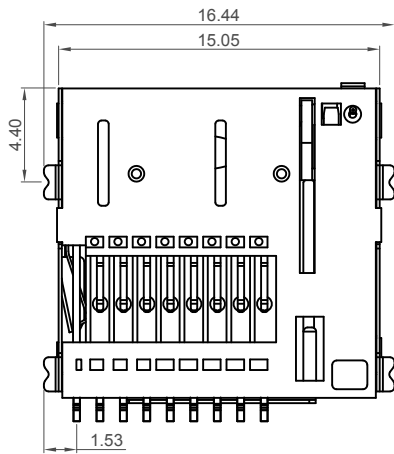
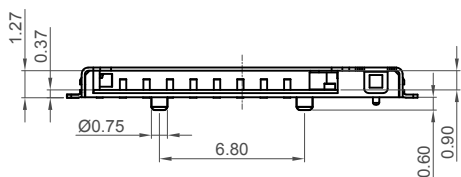
- Contact Terminal & CD Pin:
 Under-plating: 50µ" min. Nickel all over
 Contact Area: 1u" Au min
 Soldering Area: Gold Flash
 Metallic Shell:
 Under-plating: 50µ" Nickel all over
 Soldering Area: Gold Flash

Electrical

- Voltage Rating: 30V AC/DC
 Current Rating: 0.5A per pin.
 Contact Resistance: 100mΩ max.
 Insulating Resistance: 1000MΩ min.
 Dielectric Withstand Voltage: 500 V AC

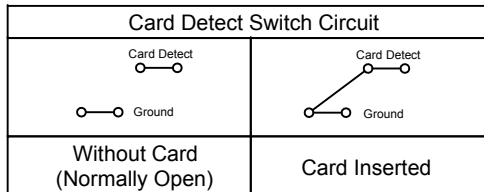
Mechanical & Environmental

- Operating Temperature: -25°C to +85°C
 Durability: 5000 Cycles
 Lock/Release Force: 10N (1.02 kgF) max



Micro SD Card Pin Assignment

Pin	Name	Type	Description
P1	DAT2	I/O/PP	Data Line [Bit 2]
P2	CD/DAT3	I/O/PP	Card Detect/Data Line [Bit 3]
P3	CMD	PP	Command/Response
P4	V _{DD}	S	Supply Voltage
P5	CLK	I	Clock
P6	V _{SS}	S	Supply Voltage Ground
P7	DAT0	I/O/PP	Data Line [Bit 0]
P8	DAT1	I/O/PP	Data Line [Bit 1]



Ordering Grid

MEM2075 - 00 - 140 - 01 - A

[Request Samples and Quotation](#)

Switch

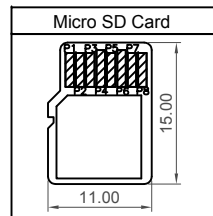
00 = Normally Open

Locating Post

01 = With

Packing Options

A = Tape & Reel (1000 per Reel)



Part Number		Product Description	
MEM2075		Micro SD Memory Card Connector, 1.40mm Profile	
Drawing Date		SMT, Push-Push, with Normally open Switch	
19th December 2017			
By	CC	Tolerances (Except as Noted)	Units:
Detail	Drawing Release	Length	Metric (mm)
Revision	A1	Angle	±1°
Date	10/09/20	X.X ±0.25	
		X.XX ±0.15	
		X.XXX ±0.100	

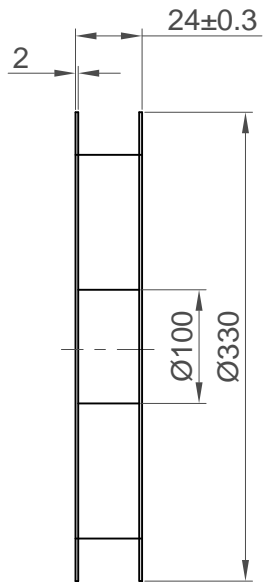


This drawing is confidential and copyright of Global Connector Technology, Ltd (GCT). This drawing must not be copied or disclosed without written consent. E & OE

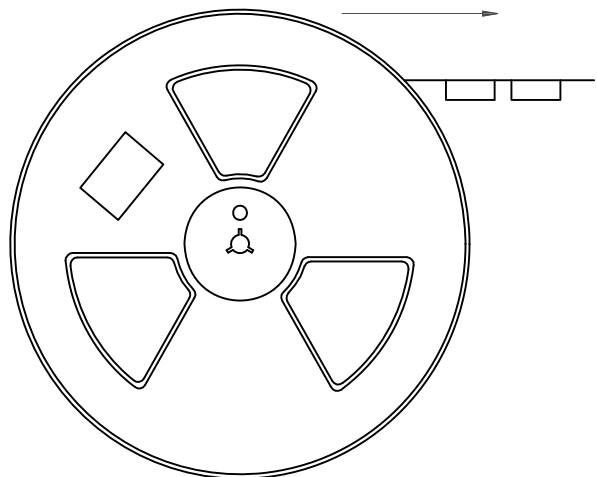


www.gct.co

Not to Scale	Drawn By CC	Sheet No. 1/2
--------------	-------------	---------------

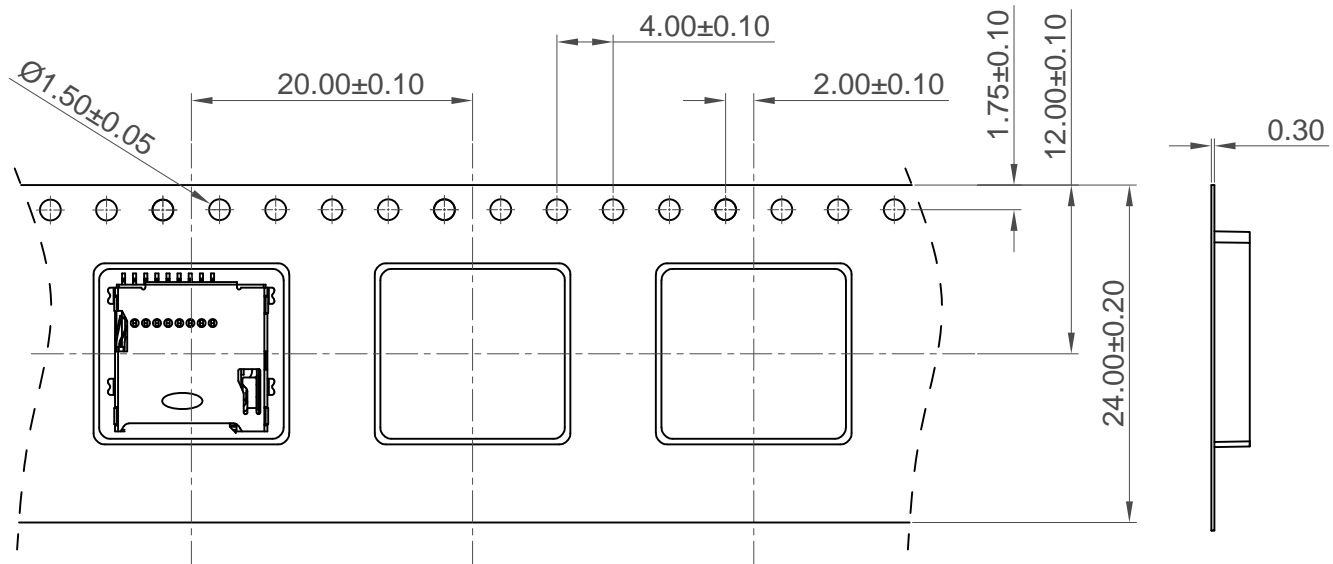


Pull out direction



Pcs/Reel	Reels/Carton	Pcs/Carton	Carton Dimensions
1000	10	10000	345 x 345 x 315mm

Quantity:1000 pcs/Reel



Note: All dimensions meet EIA-481-B requirements.

Part Number		MEM2075		Product Description		Micro SD Memory Card Connector, 1.40mm Profile	
Drawing Date		19th December 2017		SMT, Push-Push, with Normally open Switch		GCT	
By		CC		Tolerances (Except as Noted)		Units:	
Detail		Drawing Release		Length		Metric (mm)	
Revision		A1		X.X ±0.38		±1°	
Date		10/09/20		X.XX ±0.25		3rd Angle Projection	
				X.XXX ±0.100		RoHS COMPLIANT 2011/65/UEU	
						Deca-SIDE	
						© This drawing is confidential and copyright of Global Connector Technology, Ltd (GCT). This drawing must not be copied or disclosed without written consent. E & OE	
Not to Scale		Drawn By CC		Sheet No. 2/2		www.gct.co	