

RECOMMENDED PCB LAYOUT AS VIEWED FROM COMPONENT SIDE

Specification 规格:

Electrical 电气规格:

- Voltage Rating 电压额定值: 150 V AC
- Current Rating 电流额定值: 1.5 Amp
- Contact Resistance 接触电阻值: 30mΩ Max.
- Insulation Resistance 绝缘电阻值: 500MΩ Min.
- Dielectric Strength 电介质强度: 1000 VAC, 1 Min.

Material 物料规格:

Housing Material 塑胶外壳: High Temp Nylon UL94V-0 or Glass Filled Polyester UL94V-0, Black

Contact Material 端子材料:

Phosphor Bronze  $\phi 0.45\text{mm}$

Plating 电镀规格:

Contact Area: Gold Plating over Nickel

Tails: Gold Plating over Nickel

Operating Life 使用寿命: 1000 Cycles Min.

Environmental 环境的:

- Storage Temperature 储存温度:  $-10^{\circ}\text{C}$  to  $+70^{\circ}\text{C}$
- Operation Temperature 使用温度:  $-40^{\circ}\text{C}$  to  $+85^{\circ}\text{C}$

Ordering Grid

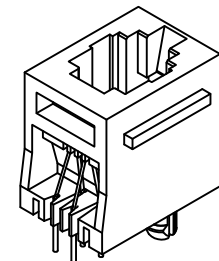
MJ3110 - 44 - X - X - X REQUEST SAMPLES AND QUOTATION

No. of Positions/  
Positions Loaded  
44=4/4

Panel Stop  
0=Without (Standard)  
1=With

Insulator Material  
N=High Temp Nylon (Standard)  
P=Glass Filled Polyester

Plating  
2=6μ" Gold (Standard)  
4=30μ" Gold  
5=50μ" Gold



By	PKN	SA	AJO
DETAIL	DRAWING RELEASE	CONTACT MATERIAL & GRID UPDATE	OBSOLESCENCE NOTICE
REV DATE	A 13/05/10	B 15/12/10	X 13/08/15



Tolerances (Except as noted)	Part Number:-	Date:-
Dimensions in mm	MJ3110 - 4 POSITION	13 MAY 10
X.X ± 0.25	Description:-	
X.XX ± 0.15	MODULAR JACK CONNECTOR, 4 POSITION, CATEGORY 3, VERTICAL THROUGH HOLE	
X.XXX ± 0.075	© THIS DRAWING IS CONFIDENTIAL AND MUST NOT BE COPIED OR DISCLOSED WITHOUT WRITTEN CONSENT	
Third Angle Projection		

Scale NTS		Revision X		Material See Note		Drawn by PKN		Sheet No. E & OE 1/2	

1. Packing Material 包材 - PVC TRAY 1 PC

Quantity 數量 -

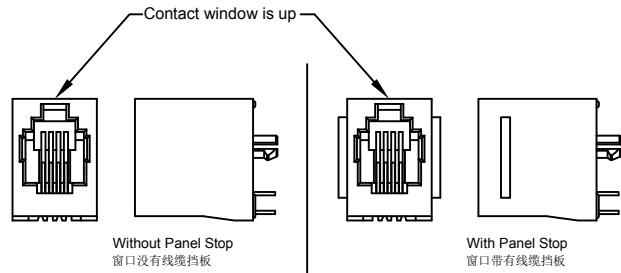
With Panel Stop 窗口带有线缆挡板: 1\*120=120 PCS

Without Panel Stop 窗口没有线缆挡板: 1\*130=130 PCS

Tray: Body and Cover 真空盒上下蓋各 - 1PCS Each

Tracing Label 真空盒上下蓋各 - 1 PCS

Lead Free Label 無鉛製程標籤 - 1PCS



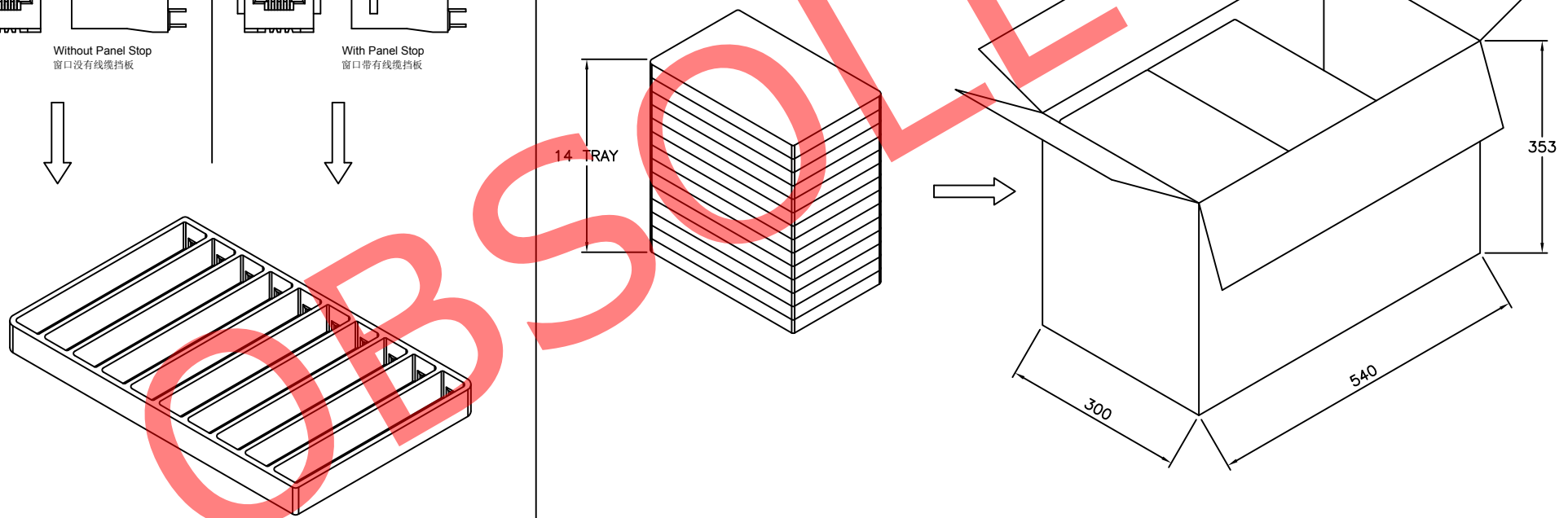
2. Packing Material 包材 - Carton 1 PC

Quantity 數量 -

With Panel Stop 窗口带有线缆挡板: 120\*42=5040 PCS

Without Panel Stop 窗口没有线缆挡板: 130\*42=5460 PCS

Part Number 零部件料号	Panel Stop 线缆挡板	Net Weight 淨重	Gross Weight 毛重	Q'TY 數量
MJ3110-44-1-X-X	With	14.7Kg	18.7±0.3Kg	5040
MJ3110-44-0-X-X	Without	14.5Kg	18.5±0.3Kg	5460



By	PKN	SA	AJO
DETAIL	DRAWING RELEASE	CONTACT MATERIAL & GRID UPDATE	OBSOLESCENCE NOTICE
REV DATE	A 13/05/10	B 15/12/10	X 13/08/15



Tolerances (Except as noted)	Part Number:- MJ3110 - 4 POSITION	Date:- 13 MAY 10
Dimensions in mm	Description:- MODULAR JACK CONNECTOR, 4 POSITION, CATEGORY 3, VERTICAL THROUGH HOLE	
© THIS DRAWING IS CONFIDENTIAL AND MUST NOT BE COPIED OR DISCLOSED WITHOUT WRITTEN CONSENT		
Third Angle Projection	Scale NTS	Revision X

**GCT**  
www.gct.co

Material See Note	Drawn by PKN	Sheet No. E & OE 2/2
----------------------	-----------------	----------------------------