

Specification 规格:

Electrical 电气规格:

Voltage Rating 电压额定值: 150 V AC
 Current Rating 电流额定值: 1.5 Amp
 Contact Resistance 接触电阻值: 30mΩ Max.
 Insulation Resistance 绝缘电阻值: 500MΩ Min.
 Dielectric Strength 电介质强度: 1000 VAC, 1 Min.

Material 物料规格:

Housing Material 塑胶外壳: High Temp Nylon UL94V-0 or Glass Filled Polyester UL94V-0, Black

Contact Material 端子材料:

Spring Wire 圆针: Phosphor Bronze $\phi 0.45\text{mm}$

Plating 电镀规格:

Contact Area: Gold Plating over Nickel
 Tails: Gold Plating over Nickel

Operating Life 使用寿命: 1000 Cycles Min.

Environmental 环境的:

Storage Temperature 储存温度: -10°C to $+70^{\circ}\text{C}$
 Operation Temperature 使用温度: -40°C to $+85^{\circ}\text{C}$

Ordering Grid

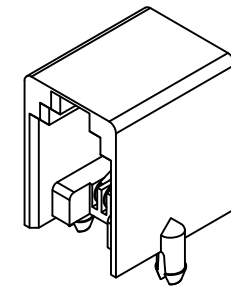
MJ3205 - 44 - 0 - X - X REQUEST SAMPLES AND QUOTATION

No. of Positions/
Positions Loaded
44=4/4

Panel Stop
0=Without (Standard)

Insulator Material
N=High Temp Nylon (Standard)
P=Glass Filled Polyester

Contact Plating
2=6 μ " Gold (Standard)
4=30 μ " Gold
5=50 μ " Gold



By	PKN	AJO
DETAIL	DRAWING RELEASE	OBSOLESCENCE NOTICE
REV DATE	A X 13/05/10	X 13/08/15



Tolerances (Except as noted)	Part Number:-	Date:-
Dimensions in mm	MJ3205 - 4 POSITION	13 MAY 10
X.X ± 0.25	Description:-	
X.XX ± 0.15	MODULAR JACK CONNECTOR, 4 POSITION, CATEGORY 3, RIGHT ANGLE THROUGH HOLE, STANDARD PROFILE, INVERTED LATCH	
X.XXX ± 0.075	© THIS DRAWING IS CONFIDENTIAL AND MUST NOT BE COPIED OR DISCLOSED WITHOUT WRITTEN CONSENT	
Third Angle Projection	Scale NTS	Revision X

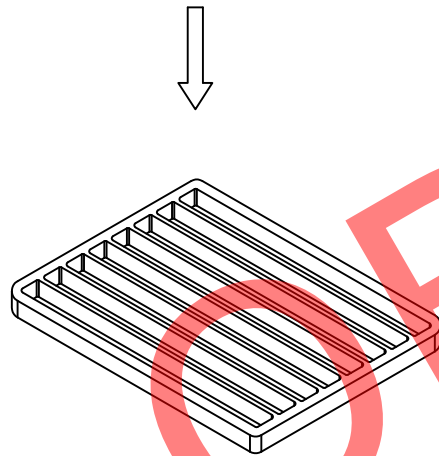
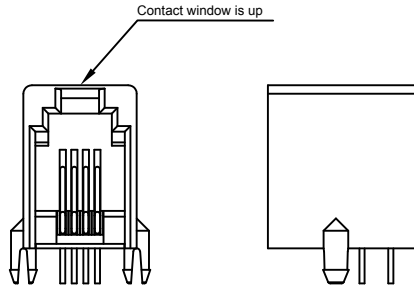
GCT
www.gct.co

Material See Note	Drawn by PKN	Sheet No. 1/2
-------------------	--------------	---------------

1. Packing Material 包材 - PVC Tray 1 PC

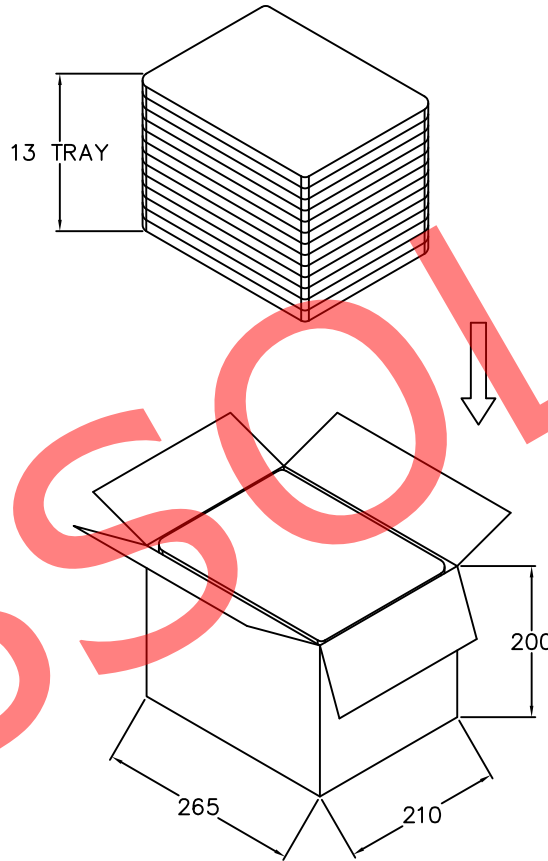
Quantity 數量 - 21*8=168 PCS

Tray: Body and Cover 真空盒上下蓋各 - 1PCS Each
 Tracing Label 流程單編號標籤 - 1 PCS
 Lead Free Label 無鉛製程標籤 - 1PCS



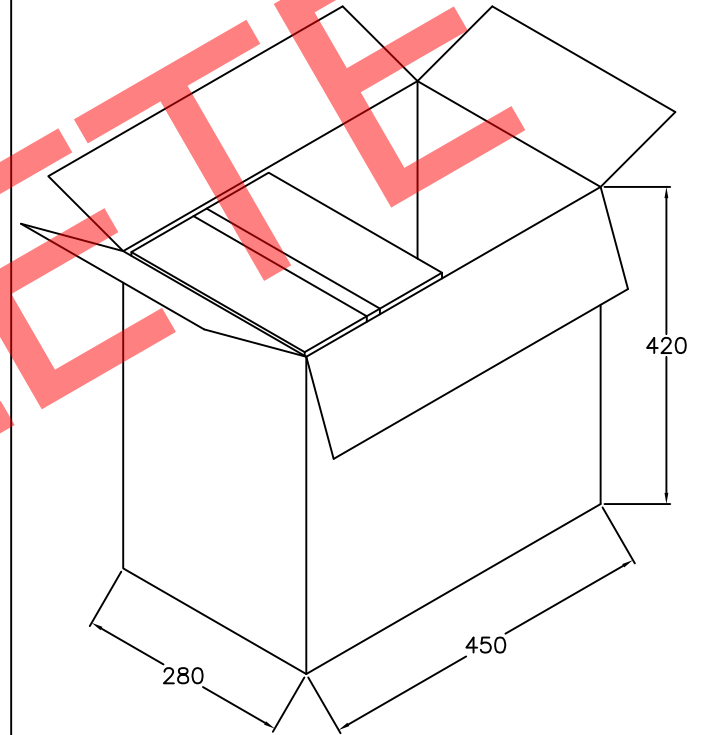
2. Packing Material 包材 - Carton 1 PC

Quantity 數量 - 168*13=2184 PCS



3.

Part Number 零部件料号	Net Weight 淨重	Gross Weight 毛重	Q'TY 數量
MJ3205-44-0-X-X	11.2Kg	15.2±0.3Kg	8736



By	PKN	AJO
DETAIL	DRAWING RELEASE	OBSOLESCENCE NOTICE
REV DATE	A 13/05/10	X 13/08/15



Tolerances (Except as noted)	Part Number:-	Date:-
Dimensions in mm	MJ3205 - 4 POSITION	13 MAY 10
Description:-		
MODULAR JACK CONNECTOR, 4 POSITION, CATEGORY 3, RIGHT ANGLE THROUGH HOLE, STANDARD PROFILE, INVERTED LATCH		
© THIS DRAWING IS CONFIDENTIAL AND MUST NOT BE COPIED OR DISCLOSED WITHOUT WRITTEN CONSENT		
Third Angle Projection		

GCT
www.gct.co

Scale	Revision	Material	Drawn by	Sheet No.
NTS	X	See Note	PKN	2/2
			E & OE	