

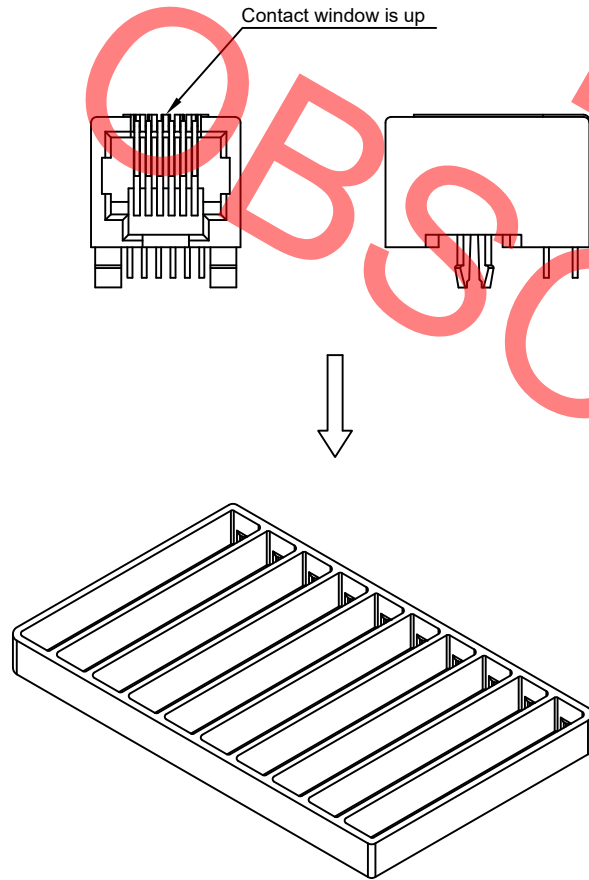
1. Packing Material 包材 - PVC Tray 1 PC

Quantity 數量 - 1*120=120 PCS

Tray: Body and Cover 真空盒上下蓋各 - 1PCS Each

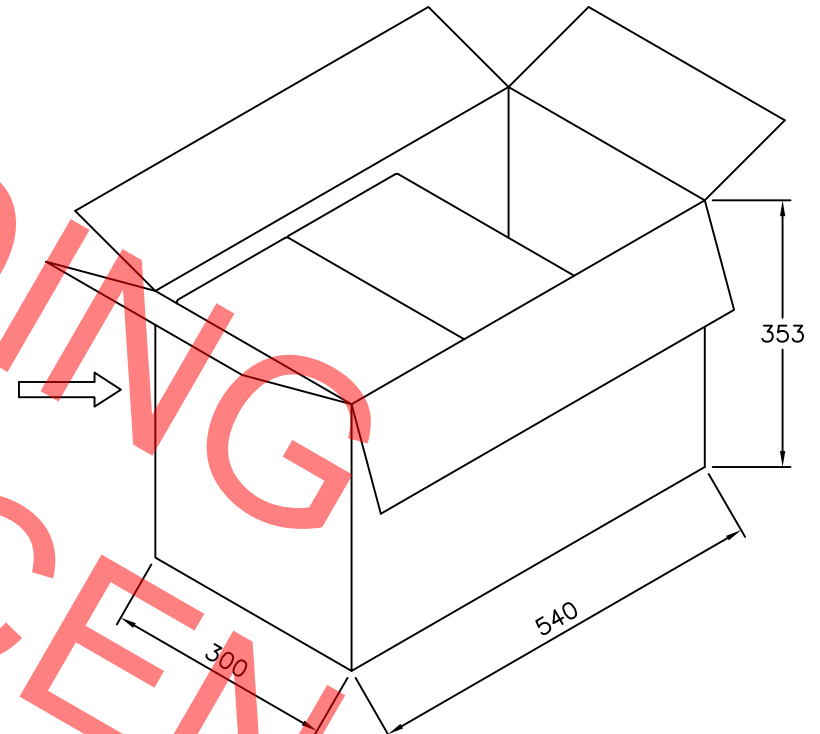
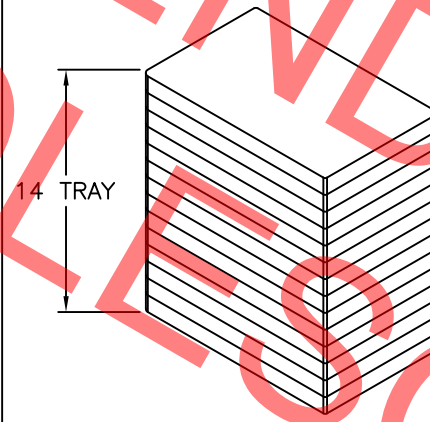
Tracing Label 流程單編號標籤 - 1 PCS

Lead Free Label 無鉛製程標籤 - 1PCS



2. Packing Material 包材 - Carton 1 PC

Quantity 數量 - 120*42=5040 PCS



Part Number 零部件料号	Net Weight 淨重	Gross Weight 毛重	Q'TY 數量
MJ3220-66-X-X	12.7Kg	16.7±0.3Kg	5040

Part Number MJ3220 - 6 Position		Product Description Modular Jack Connector, 6 Position, Category 3, Right Angle Through Hole, Low Profile, Standard Latch	
Drawing Date 13th May 2010			
By PKN	Drawing Release	Tolerances (Except as Noted) Length Angle	Units: Metric (mm)
Detail A	Date 13/05/10		3rd Angle Projection



This drawing is confidential and copyright of Global Connector Technology, Ltd (GCT).
This drawing must not be copied or disclosed without written consent. E & OE



www.gct.co

Not to Scale	Drawn By PKN	Sheet No. 2/2
--------------	-----------------	------------------