

Specification 规格:

Electrical 电气规格:

Voltage Rating 电压额定值: 125 V AC (RMS)  
 Current Rating 电流额定值: 1.5 Amp  
 Contact Resistance 接触电阻值: 35mΩ Max.  
 Insulation Resistance 绝缘电阻值: 1000MΩ Min. @ 500 VDC  
 Dielectric Strength: 1000 VAC RMS 60Hz, 1 Min.

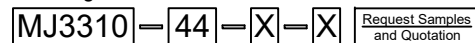
Material 物料规格:

Housing Material 塑胶外壳: Hi-Temp Thermoplastic UL94V-0, Black  
 Contact Material: Phosphor Bronze t=0.35mm  
 Plating 电镀规格: Gold Plating over Nickel  
 Operating Life: 750 Cycles Min.  
 PCB Retention Post Solder: 10 LBS Min.

Environmental:

Storage: -40°C to +85°C  
 Operation: -40°C to +85°C  
 IR Reflow Soldering Temperature: 255°C to 265°C, 5-10 seconds

Ordering Grid

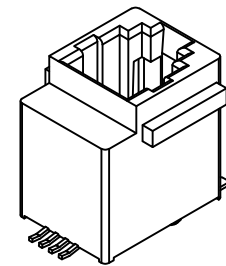


No. of Positions/  
Positions Loaded  
44 = 4/4

Mylar Film - for pick and place

A = Without  
 B = With (Standard)

Contact Plating  
 2 = 6μ" Gold (Standard)  
 4 = 30μ" Gold  
 5 = 50μ" Gold



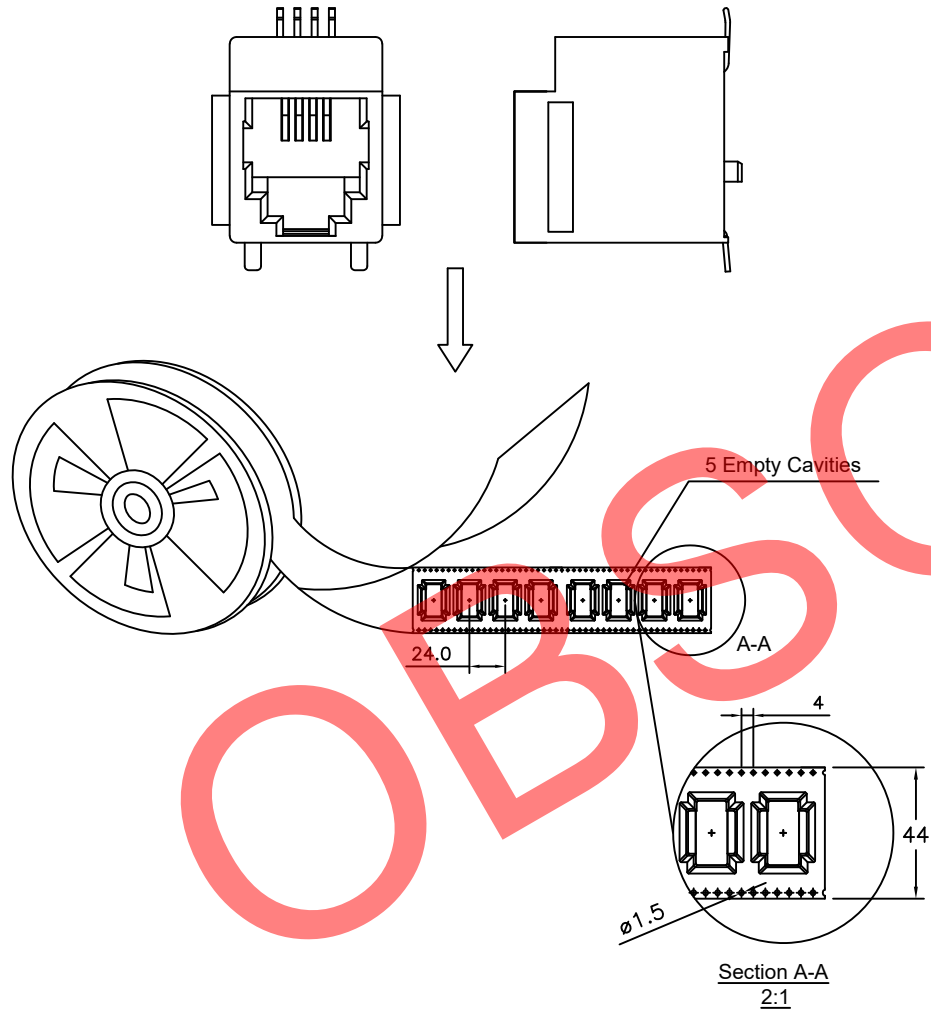
Part Number		Product Description			This drawing is confidential and copyright of Global Connector Technology, Ltd (GCT). This drawing must not be copied or disclosed without written consent. E & OE
MJ3310 - 4 Position		Modular Jack Connector, 4 Position, Category 3, Vertical SMT, Standard Profile, With Solder Tab, With PCB Peg			
Drawing Date		11th May 2010			
By	CC	Tolerances (Except as Noted)	Units:		
Detail	Obsolete	Length	Metric (mm)		
Revision	X	Angle			
Date	15/08/22	X.X ± 0.20 X.XX ± 0.15 X.XXX ± 0.10			
Not to Scale		Drawn By	PKN	Sheet No.	1/2



1. Packing Material 包材 - Tape Reel

Quantity 數量 - 1\*150=150 PCS

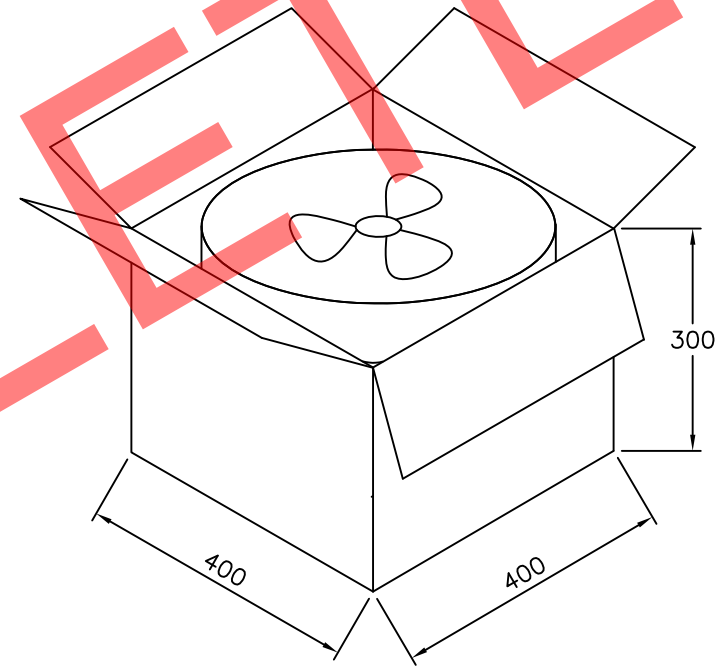
Tape Reel 卷帶 - Width 44 \* Depth 15.7 \* Pitch 24 = Total Length 4.1m  
 Reel 卷盤 - ø380mm



2. Packing Material 包材 - Carton 1 PC

Quantity 數量 - 150\*6=900 PCS

Part Number 零部件料号	Net Weight 淨重	Gross Weight 毛重	Q'TY 數量
MJ3310-44-X-X	4.50Kg	6.00Kg	900



Part Number MJ3310 - 4 Position		Product Description Modular Jack Connector, 4 Position, Category 3, Vertical SMT, Standard Profile, With Solder Tab, With PCB Peg		 www.gct.co
Drawing Date 11th May 2010				
By CC	Tolerances (Except as Noted) Length	Units: Metric (mm)	  This drawing is confidential and copyright of Global Connector Technology, Ltd (GCT). This drawing must not be copied or disclosed without written consent. E & OE	Not to Scale Drawn By PKN Sheet No. 2/2
Detail Obsolete	Angle			
Revision X				
Date 15/08/22				