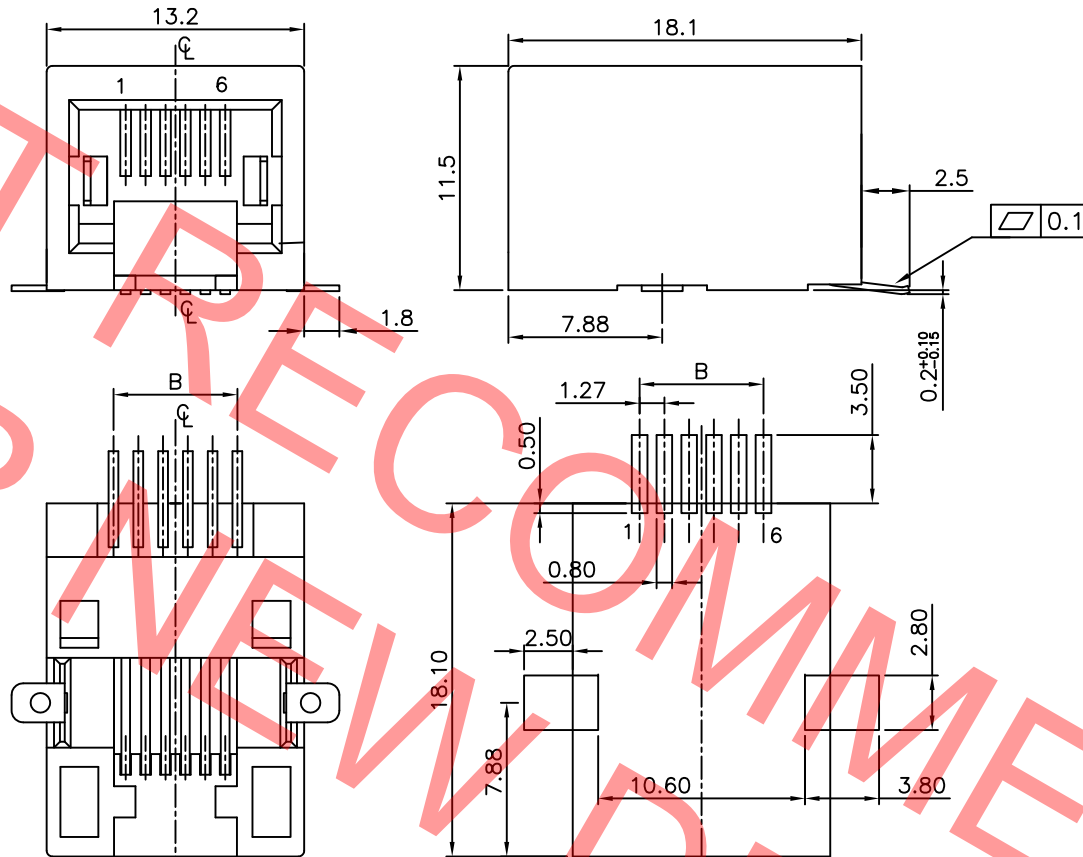
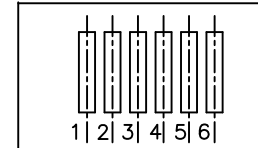


H  
G  
F  
E  
D  
C  
B  
A



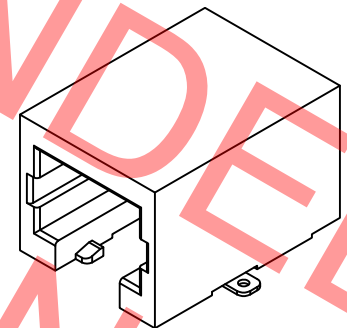
6 POSITIONS LOADED PCB LAYOUT



FOR 4 POSITIONS LOADED  
REMOVE SOLDER PADS 1&6

Dimension Table		
No. Of Positions	Positions Loaded	Dim. B
6	4	3.81
6	6	6.35

RECOMMENDED PCB LAYOUT  
AS VIEWED FROM COMPONENT SIDE



Specification 规格:

Electrical 电气规格:

Voltage Rating 电压额定值: 125 V AC (RMS)

Current Rating 电流额定值: 1.5 Amp

Contact Resistance 接触电阻值: 35mΩ Max.

Insulation Resistance 绝缘电阻值: 1000MΩ Min. @ 500 VDC

Dielectric Strength 电介质强度: 1000 VAC RMS 60Hz, 1 Min.

Material 物料规格:

Housing Material 塑胶外壳: High Temp Nylon UL94V-0, Black

Contact Material 端子材料: Phosphor Bronze 0.35mm Thickness

Plating 电镀规格: Gold Plating over Nickel

Operating Life 使用寿命: 750 Cycles Min.

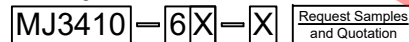
PCB Retention Force After Solder 焊接后保持力: 10 LBS Min.

Environmental 环境的:

Storage Temperature 储存温度: -40°C to +85°C

Operation Temperature 使用温度: -40°C to +85°C

Ordering Grid



No. of Positions/  
Positions Loaded

66 = 6/6

64 = 6/4

Contact Plating

2 = 6μ" Gold (Standard)

4 = 30μ" Gold

Part Number		Product Description	
MJ3410 6 Position		Modular Jack Connector, 4 Position, Category 3, Right Angle SMT, With Outside Solder Tab, Standard Latch	
Drawing Date		12th May 2010	
By	AJO	Tolerances (Except as Noted)	Units:
Detail	MJ3410	Length	Metric (mm)
Revision	C PCN	X.X ± 0.20	3rd Angle Projection
Date	15/06/12	X.XX ± 0.15	
		X.XXX ± 0.10	± 5°



This drawing is confidential and copyright of Global Connector Technology, Ltd (GCT). This drawing must not be copied or disclosed without written consent. E & OE



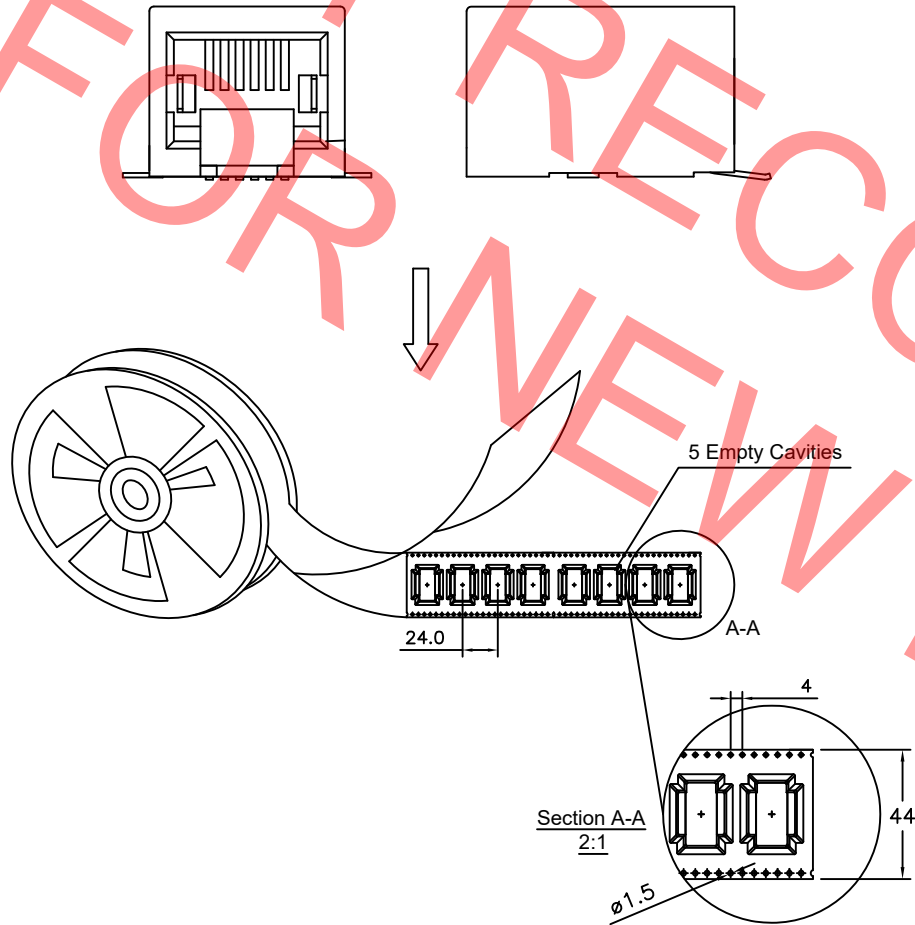
www.gct.co

Not to Scale	Drawn By PKN	Sheet No. 1/2
--------------	--------------	---------------

1. Packing Material 包材 - Tape Reel

Quantity 數量 - 1\*150=150 PCS

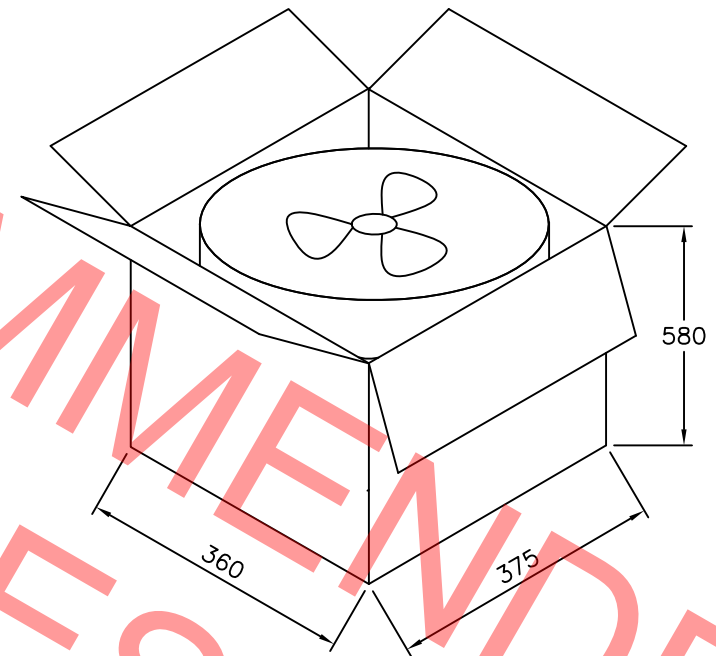
Tape Reel 卷帶 - Width 44 \* 0.5mm \* Pitch 24mm = Total Length 4.12m  
 Reel 卷盤 - ø330mm



2. Packing Material 包材 - Carton 1 PC

Quantity 數量 - 150\*10=1500 PCS

Part Number 零部件料号	Net Weight 淨重	Gross Weight 毛重	Q'TY 數量
MJ3410-6X-X	10.00Kg	10.50Kg	1500



Part Number		Product Description	
MJ3410 6 Position		Modular Jack Connector, 4 Position, Category 3, Right Angle SMT, With Outside Solder Tab, Standard Latch	
Drawing Date		12th May 2010	
By	AJO	Tolerances (Except as Noted)	Units:
Detail	MJ3410 C PCN	Length X.X ± 0.20 X.XX ± 0.15 X.XXX ± 0.10	Metric (mm)
Revision	C	Angle ± 5°	3rd Angle Projection
Date	15/06/12		



This drawing is confidential and copyright of Global Connector Technology, Ltd (GCT).  
 This drawing must not be copied or disclosed without written consent. E & OE



www.gct.co

Not to Scale	Drawn By PKN	Sheet No. 1/2
--------------	-----------------	------------------