

**Specifications 规格**

**Material 物料**

Plastic Housing 塑胶外壳: LCP, UL94V-0 Blue  
 Contact Terminal 接触端子: Phosphor Bronze  
 Metallic Shell 金属外壳: Brass

**Plating 电镀**

Underplating 底层电镀: Nickel 50µ" (Contact Area & Solder Tails)  
 Contact Area 接触面积: 30µ" Gold  
 Solder Tails 焊接末端: 100µ" min. Tin  
 Metallic Shell 金属外壳: Nickel 80µ" min.

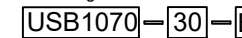
**Electrical 电气**

Voltage Rating 电压额定值: 100 V AC  
 Current Rating 电流额定值:  
 0.25A (Signal Pins 信号引脚 2,3,5,6,7,8,9)  
 1.8A (Power Pins 电源引脚 1,4)  
 Operating Temperature 工作温度: -55°C to +85°C  
 Contact Resistance 接触电阻值: 30 mΩ max.  
 Insulating Resistance 绝缘电阻值: 1000 MΩ min.  
 Dielectric Withstand Voltage 耐电压: 100V AC/minute

**Mechanical & Environmental 机械 & 环境**

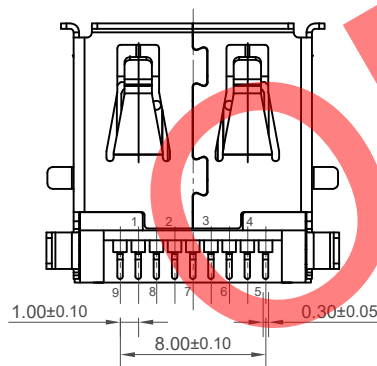
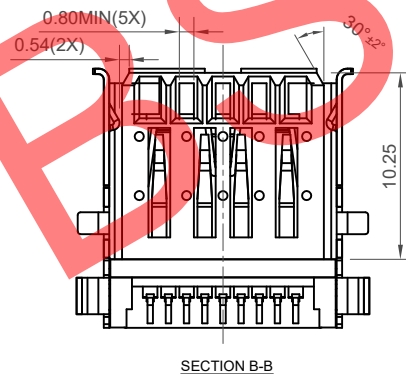
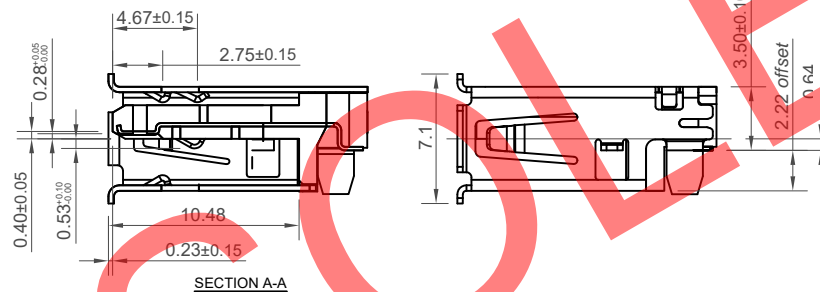
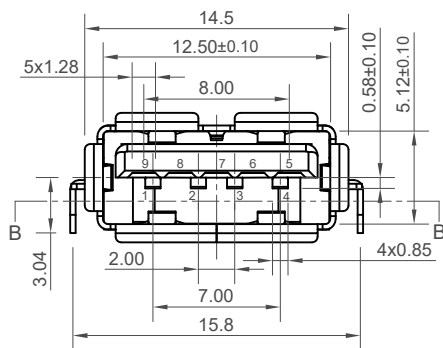
Mating Force 插入力: 35N max.  
 Unmating Force 拔出力: 10N min. initial, 8N min. after test  
 Durability 耐久性: 5000

**Ordering Grid**



Contact Plating  
 30 = 30µ" Gold

Packing Options  
 B = Tray  
 (100 per tray)

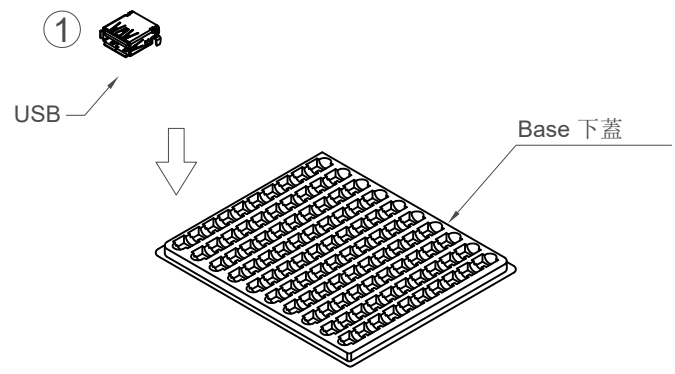


PIN LAYOUT			
PIN #	SIGNAL NAME	DESCRIPTION	MATING SEQUENCE
1	VBUS	POWER	SECOND
2	D-	USB 2.0 DIFFERENTIAL PAIR	THIRD
3	D+		
4	GND	GROUND FOR POWER RETURN	SECOND
5	STDA_SSRX-	SUPERSPEED RECEIVER DIFFERENTIAL PAIR	LAST
6	STDA_SSRX+		
7	GND_DRAIN	GROUND FOR SIGNAL RETURN	
8	STDA_SSTX-	SUPERSPEED TRANSMITTER DIFFERENTIAL PAIR	
9	STDA_SSTX+		
SHELL	SHIELD	CONNECTOR METAL SHELL	FIRST

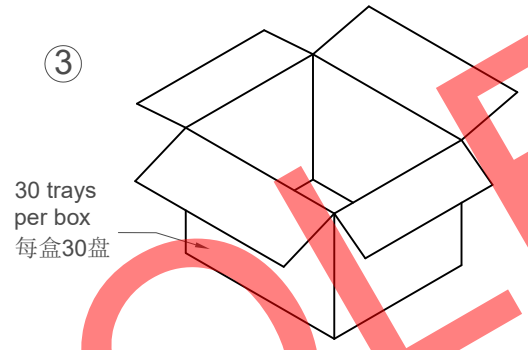
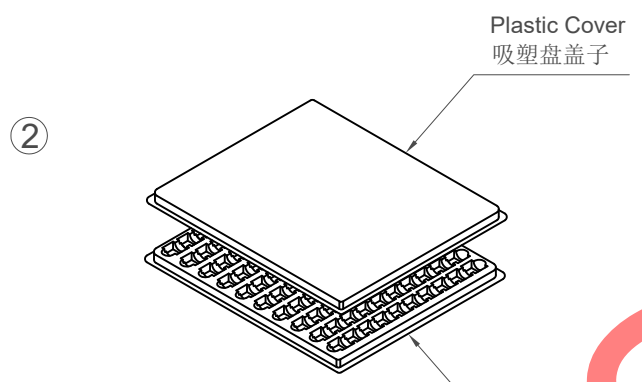
Part Number USB1070		Product Description USB3.0 Rec. Type A, 9 Pin, Top/Mid Mnt SMT, Horizontal, 2.22mm Offset, w/Outer Shell Stakes, SMT Holdowns	
Drawing Date 23rd September 2011			
By AJO	Tolerances (Except as Noted) Length X ± 0.20 X.X ± 0.15 X.XXX ± 0.10 X.XXX ± 0.05	Units: Metric (mm)	Angle X.° ± 1°
Detail USB1070 X EOLN20180529			This drawing is confidential and copyright of Global Connector Technology, Ltd (GCT). This drawing must not be copied or disclosed without written consent. E & OE
Revision X	Date 29/05/18		



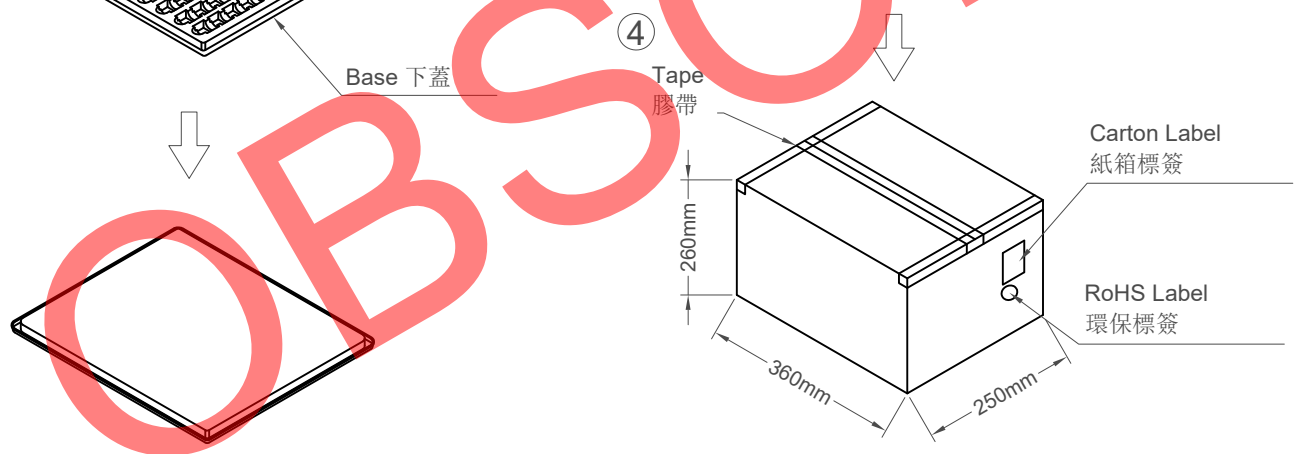
H  
G  
F  
E  
D  
C  
B  
A



Products P/N	PCS/Tray	Trays/Carton	PCS/Carton
USB1070	100	30	3000



**Packing Rules 封装規則?**  
 1. USB's placed into the tray base. 将USB连接器放入吸塑盘内  
 2. Tray cover and base taped together to keep USB's in place. USB连接器放好后, 加上吸塑盖, 并用胶带缠绕好  
 3. 30 trays put into each carton. 30吸塑盘一叠, 放入纸箱  
 4. Boxed taped and label stuck on the outer carton. 用胶带封住纸箱; 并贴上标签。



Part Number USB1070		Product Description USB3.0 Rec. Type A, 9 Pin, Top/Mid Mnt SMT, Horizontal, 2.22mm Offset, w/Outer Shell Stakes, SMT Holdowns	
Drawing Date 23rd September 2011			
By AJO	Tolerances (Except as Noted)	Units: Metric (mm)	 This drawing is confidential and copyright of Global Connector Technology, Ltd (GCT). This drawing must not be copied or disclosed without written consent. E & OE
Detail USB1070 X EOLN20180529	Length X.X ± 0.3 X.XX ± 0.2 X.XXX ± 0.1	Angle X.X° ± 2° X.XX° ± 1° X.XXX° ± 0.5°	
Revision X	3rd Angle Projection		
Date 29/05/18			
Not to Scale	Drawn By AJO	Sheet No. 2/2	

