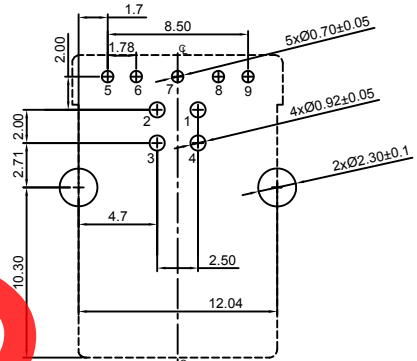
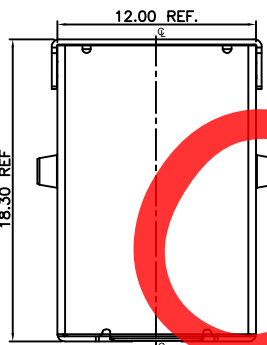
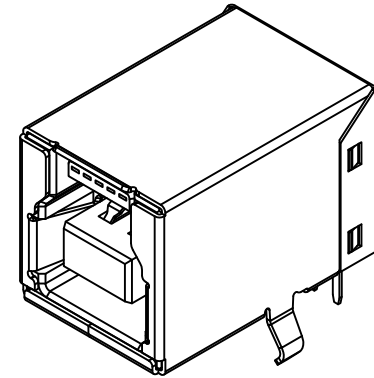
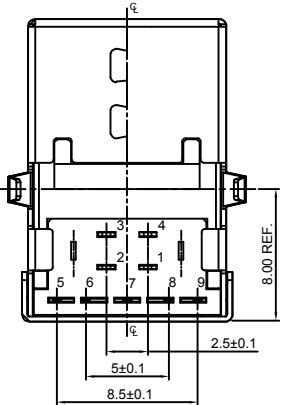
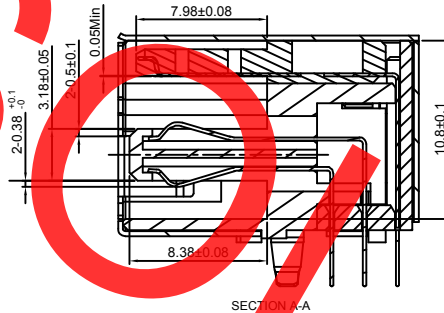
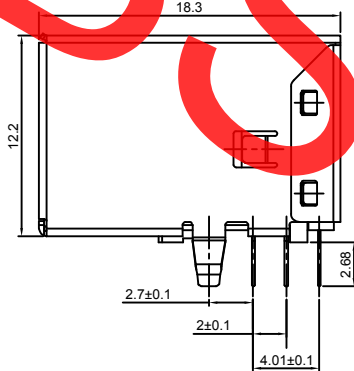
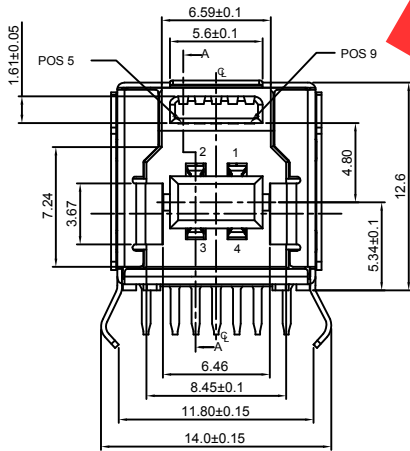


Designed to comply with physical, electrical and environmental requirements of full size USB Standard Compliance (USB3.0).



RECOMMENDED P.C.B LAYOUT
AS VIEWED FROM COMPONENT SIDE



Ordering Grid
USB1080 - **30** - **B** REQUEST SAMPLES AND QUOTATION
 Contact Plating: 30 = 30µ" Gold
 Packing Options: B = Tray (120 per tray)

Specifications 规格:

Materials 材料:

Plastic Housing 塑胶外壳: LCP, UL94V-0 Blue
 Contact Terminal 接触端子: Copper Alloy 铜合金
 Metallic Shell 金属外壳: Brass (Back Lid - SPCC)

Finish 表面处理:

Underplating 底层电镀: Nickel
 Plating 电镀:
 Contact Area 接触面积: 30µ" Gold
 Solder Tails 焊接末端: 100µ" min. Tin
 Metallic Shell 金属外壳: Nickel

Electrical 电气规格:

Voltage Rating 电压额定值: 100 V AC
 Current Rating 电流额定值:
 0.25A (Signal Pins 信号引脚 2,3,5,6,7,8,9)
 1.8A (Power Pins 电源引脚 1,4)
 Operating Temperature 工作温度: -55°C to +85°C
 Contact Resistance 接触电阻值: 30 mΩ max.
 Insulating Resistance 绝缘电阻值: 1000 MΩ min.
 Dielectric Withstand Voltage 耐电压: 100V AC/minute

Mechanical 机械性规格:

Mating Force 插入力: 35N max.
 Unmating Force 拔出力: 10N min. initial, 8N min. after test
 Durability 耐久性: 5000

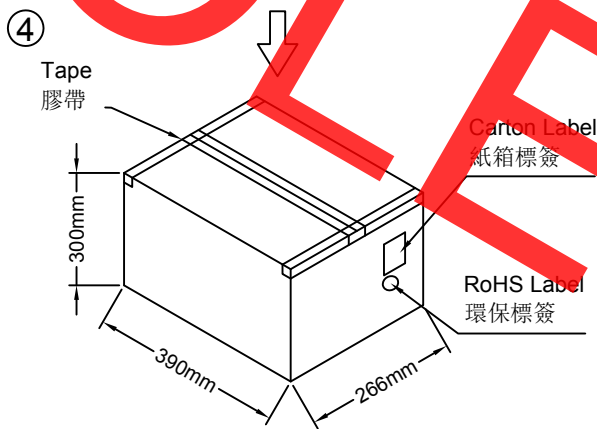
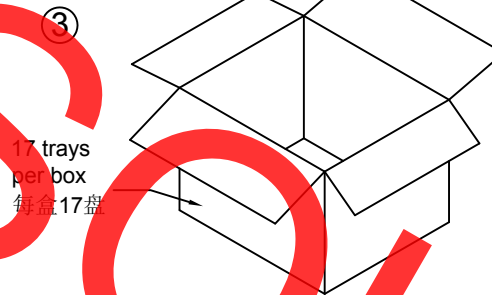
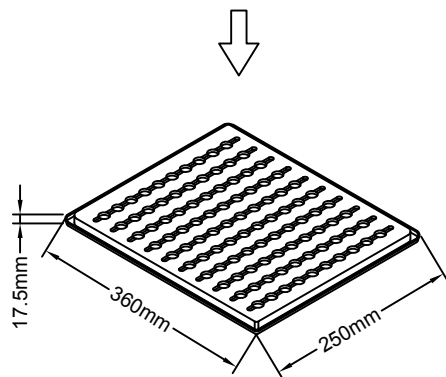
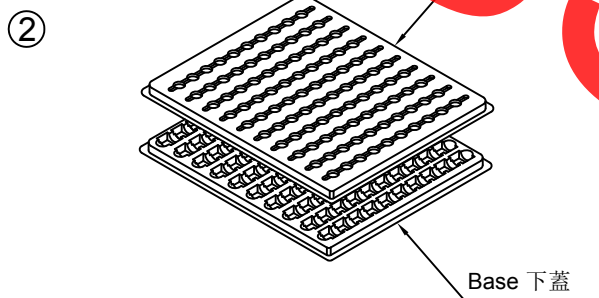
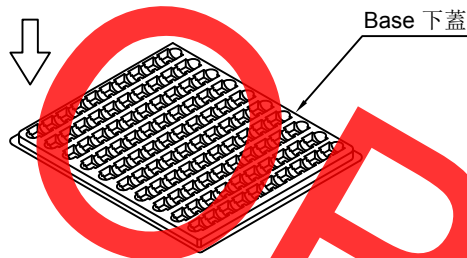
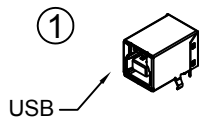
By	AJO
DETAIL	USB1080 X PCN
REV DATE	X 15/05/14



Tolerances (Except as noted)	Part Number:-	Date:-
Dimensions in mm	USB1080	23 SEP 11
X.X ± 0.3 X.XX ± 0.25 X.XXX ± 0.1	Description:-	
X.X° ± 2° X.XX° ± 1° X.XXX° ± 0.5°	USB 3.0 Receptacle, Type B, Through Hole, Horizontal, 9 Pin, With Kinked Shell Stakes	
Third Angle Projection	THIS DRAWING IS CONFIDENTIAL AND MUST NOT BE COPIED OR DISCLOSED WITHOUT WRITTEN CONSENT	

GCT
www.gct.co

Scale	Revision	Material	Drawn by	Sheet No.
NTS	X	See Note	ASE	E & OE 1/2



Products P/N	PCS/Tray	Trays/Carton	PCS/Carton
USB1080-30-B	120	17	2040

Packing Rules 封裝規則:

1. USB's placed into the tray base. 將USB连接器放入吸塑盘內
2. Tray cover and base taped together to keep USB's in place. USB连接器放好后, 加上吸塑盖, 并用胶带缠绕好
3. 17 trays put into carton. 17吸塑盘一叠, 放入纸箱
4. Boxed taped and label stuck on the outer carton. 用胶带封住纸箱; 并贴上标签。

By	AJO
DETAIL	USB1080 X PCN
REV DATE	X 15/05/14



Tolerances (Except as noted)	
Dimensions in mm	
X.X ± 0.3	X.X° ± 2°
X.XX ± 0.25	X.XX° ± 1°
X.XXX ± 0.1	X.XXX° ± 0.5°
Third Angle Projection	

Part Number:-	Date:-
USB1080	23 SEP 11
Description:-	
USB 3.0 Receptacle, Type B, Through Hole, Horizontal, 9 Pin, With Kinked Shell Stakes	
© THIS DRAWING IS CONFIDENTIAL AND MUST NOT BE COPIED OR DISCLOSED WITHOUT WRITTEN CONSENT	

Scale NTS		Revision X		Material See Note		Drawn by ASE		Sheet No. 2/2	