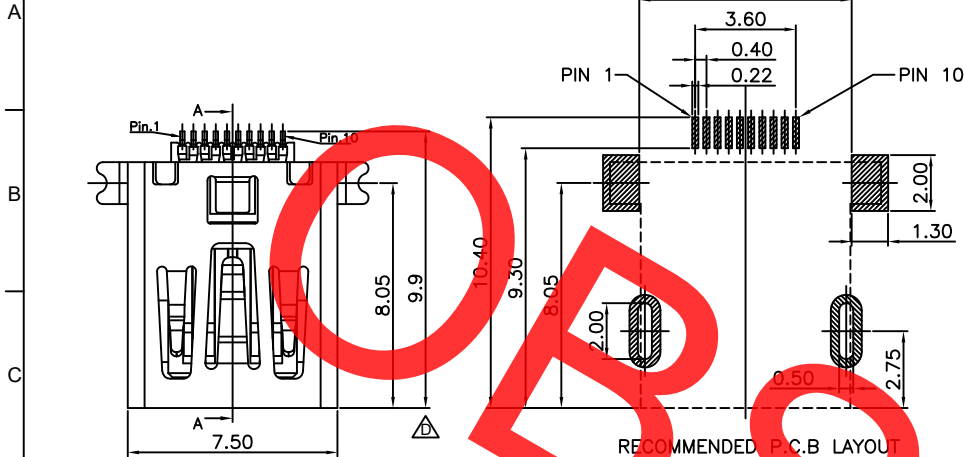
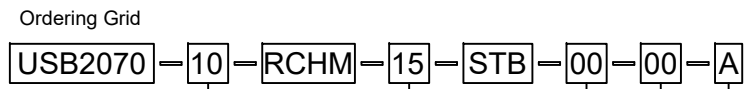
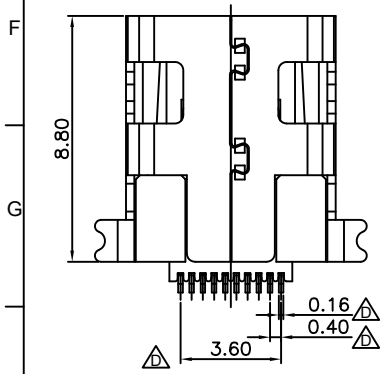
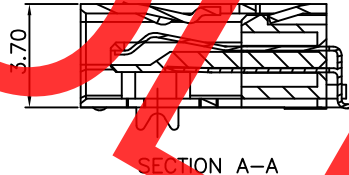
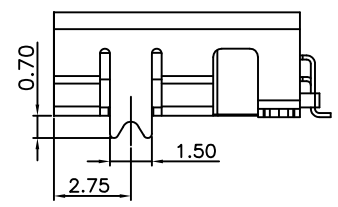
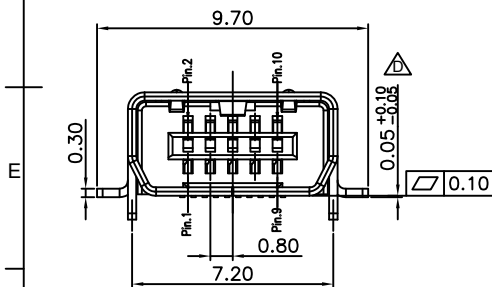
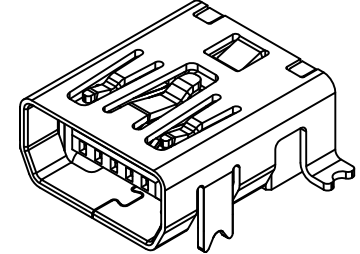


Global Connector Technology Ltd. - USB2070: Mini USB Receptacle, Type A/B, 10 Pin, SMT, Horizontal



**RECOMMENDED P.C.B LAYOUT**  
 GENERAL TOLERANCE: ±0.05  
 AS VIEWED FROM COMPONENT SIDE



No. of Contacts  
10

Contact Plating  
15 = 15u" Gold

Packing Options  
A = Tape & Reel (With Mylar)  
(Quantity per Reel: 800pcs)

00 = Without Post  
Offset  
00 = No Offset

**Specifications 规格:**

**Materials 物料规格:**  
 Plastic Housing 塑胶外壳: LCP UL94V-0 Black   
 LCP UL94V-0, 黑色  
 Contact Terminal 接触端子: Phosphor Bronze 磷青铜  
 Metallic Shell 金属外壳: Brass 黄铜

**Plating 电镀规格:**  
 Contact Terminal plating 接触端子部分电镀:  
 Underplating 底层电镀: Nickel all over 全部镀镍  
 Contact Area 接触部分: 15u" Gold 镀金15u"  
 Solder Tails 焊接末端: Tin 50u" 镀锡50u"   
 Metallic Shell plating 金属外壳电镀:  
 Underplating 底层电镀: 50u" Min. Nickel all over 全部镀镍最少50u"  
 Finish 表面处理: Matte Tin 50u" all over 整体镀雾锡50u"

**Electrical 电气规格:**  
 Voltage Rating 电压额定值: 30VDC  
 Current Rating 电流额定值: 1A  
 Operating Temperature 工作温度: -50°C to +85°C   
 Contact Resistance 接触电阻值: 50mW Max.  
 Insulation Resistance 绝缘电阻值: 100MW Min (Apply施加100VDC)  
 Dielectric Withstanding Voltage 耐电压: No Discharge or Flash没有放电或火花  
 (100VAC is applied for 1 min. 施加100VAC共一分钟)

**Mechanical 机械性规格:**  
 Mating Force 插入力: 35N (3.57KgF) Max.   
 Unmating Force 拔出力: 7N (0.71KgF) Min. - 1st mating cycle   
 Unmating Force 拔出力: 3N (0.31KgF) Min. - 5001st mating cycle   
 Durability 耐久性: 5,000 Cycles 5,000次插拔

By	LYH	ASE	ASE	SA	ASE	AJO
DETAIL	DRAWING RELEASE	ECN080331A	ECN080922A	PCN20101004-2	PCNUSB2070-001	USB2070 X PCN
REV DATE	A 13/03/08	B 31/03/08	C 22/09/08	D 04/11/10	E 07/12/11	X 17/04/15

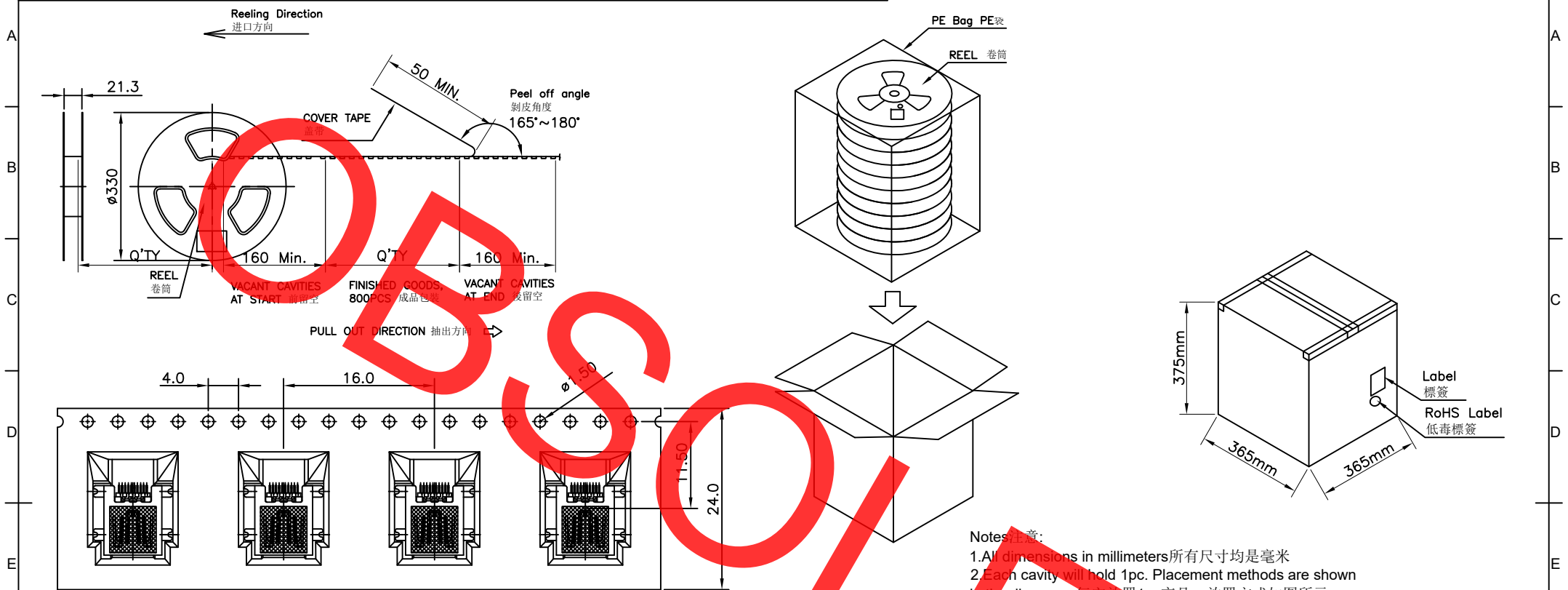


Tolerances (Except as noted)	Part Number:-	Date:-
Dimensions in mm	USB2070	13 MAR 08
XX ± 0.35 X.XX ± 0.25 X.XXX ± 0.150	Description:-	
X." ± 1" X.X" ± 0.5" X.XX" ± 0.25"	MINI USB RECEPTACLE, TYPE A/B, 10 PIN, SMT, HORIZONTAL	
	© THIS DRAWING IS CONFIDENTIAL AND MUST NOT BE COPIED OR DISCLOSED WITHOUT WRITTEN CONSENT	

**GCT**  
www.gct.co

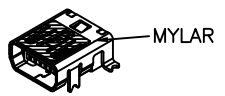
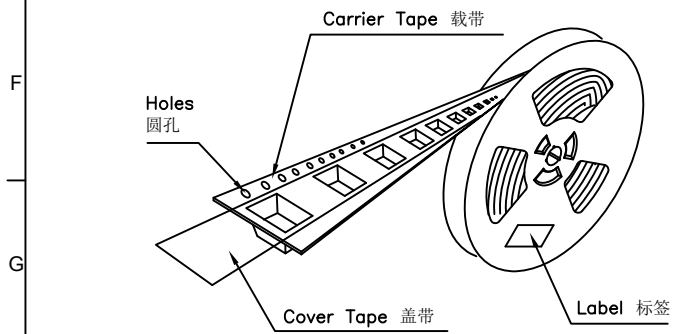
Scale	Revision	Material	Drawn by	E & OE	Sheet No.
NTS	X	See Note	LYH		1/2

Global Connector Technology Ltd. - USB2070: Mini USB Receptacle, Type A/B, 10 Pin, SMT, Horizontal



- Notes/注意:
1. All dimensions in millimeters 所有尺寸均是毫米
  2. Each cavity will hold 1pc. Placement methods are shown in the diagrams. 每次放置1pc产品, 放置方式如图所示
  3. The peel-off force between the COVER TAPE & CARRY TAPE is: 0.1N-0.7N (variation within 0.3N). Peel-off angle: 160-180 degree. COVER TAPE与CARRY TAPE剥离力: 0.1N-0.7N (跳动量在0.3N以内) 剥离角度: 160-180度; 剥离速度
  4. Component Load Per 13" Reel: 800Pcs 每13"卷筒承载零件: 800件

- Packing Rules 封装规则?
1. All the labels on REEL should be face-up Reel 标签一律朝上
  2. Place 11 filled REEL into the bag 以11盘作为一个包装单位, 外包PE袋
  3. Insert bag into outer box 卷盘使用塑胶袋封装; 然后放入外箱
  4. Stick label on the outer carton 标签贴放箱外



By	LYH	ASE	ASE	SA	ASE	AJO
DETAIL	DRAWING RELEASE	ECN080331A	ECN080922A	PCN20101004-2	PCNUSB2070-001	USB2070 X PCN
REV DATE	A 13/03/08	B 31/03/08	C 22/09/08	D 04/11/10	E 07/12/11	X 17/04/15



Tolerances (Except as noted)	Part Number:-	Date:-
Dimensions in mm	USB2070	13 MAR 08
	Description:-	
	MINI USB RECEPTACLE, TYPE A/B, 10 PIN, SMT, HORIZONTAL	
Third Angle Projection	THIS DRAWING IS CONFIDENTIAL AND MUST NOT BE COPIED OR DISCLOSED WITHOUT WRITTEN CONSENT	

<b>GCT</b>					
www.gct.co					
Scale	Revision	Material	Drawn by	E & OE	Sheet No.
NTS	X	See Note	LYH		2/2