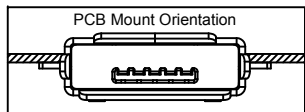
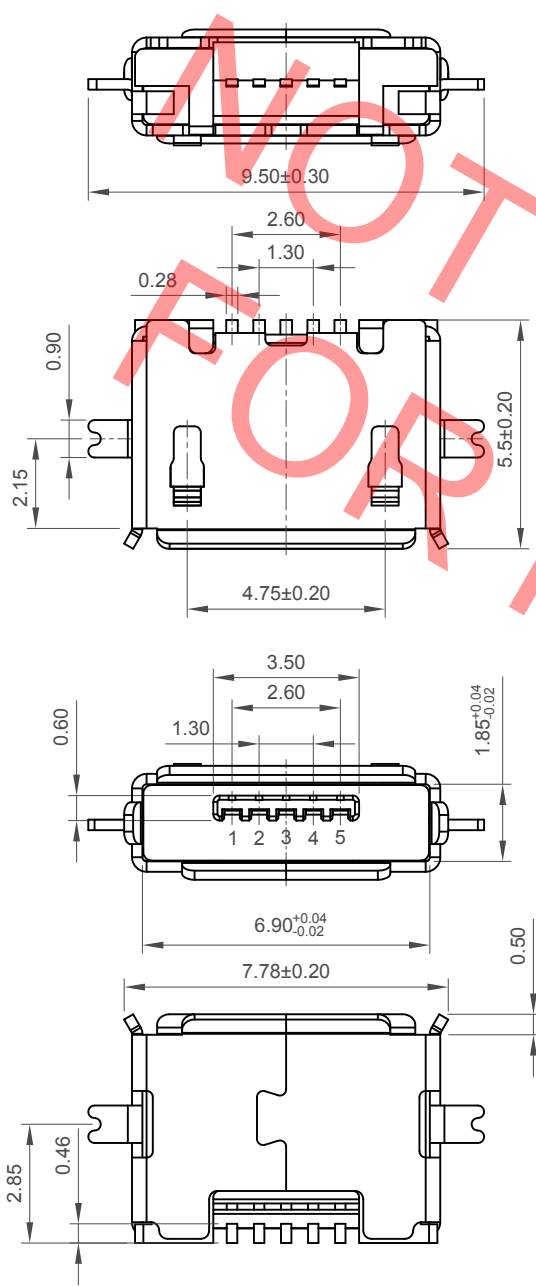
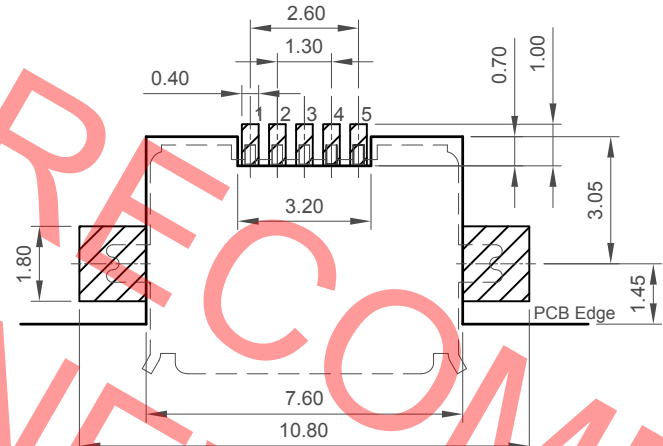


H
G
F
E
D
C
B
A

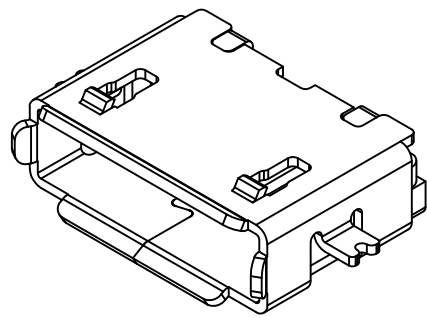
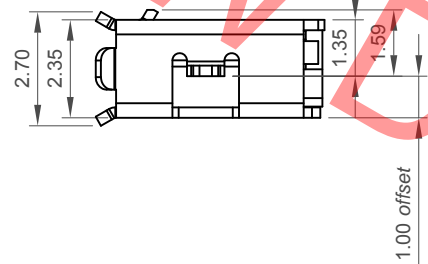


Designed to comply with physical, electrical and environmental requirements of Micro USB Standard (USB2.0), A/B types support USB On-The-Go (OTG) interface.



Recommended PCB Layout
as viewed from component side General Tolerance: ±0.05

 Solder Area Component Outline



Specifications 规格

Material 物料

Plastic Housing 塑胶外壳: LCP, UL94V-0, Black
 Contact Terminal 接触端子: Copper Alloy
 Metallic Shell 金属外壳: Stainless Steel SUS 304 T = 0.25mm

Plating 电镀

Underplating 底层电镀: 50μ" Nickel
 Contact Area 接触面积: 30μ" Gold plating
 Solder Tails 焊接末端: Gold Flash
 Metallic Shell 金属外壳: Matte Tin

Electrical 电气

Voltage Rating 电压额定值: 30 V AC
 Current Rating 电流额定值: Signal(Pins 2,3,4): 1.0 A
 Power (Pins 1,5): 1.8A
 Operating Temperature 工作温度: -30°C to +85°C
 Contact Resistance 接触电阻值: 30 mΩ max.
 Insulating Resistance 绝缘电阻值: 1000 MΩ min.
 Dielectric Withstand Voltage 耐电压: 500V AC/minute

Mechanical & Environmental 机械 & 环境

Mating Force 插入力: 35N max.
 Unmating Force 拨出力: Initial 10N min.
 Final 8N min after durability test.
 Durability 耐久性: 10,000 Cycles

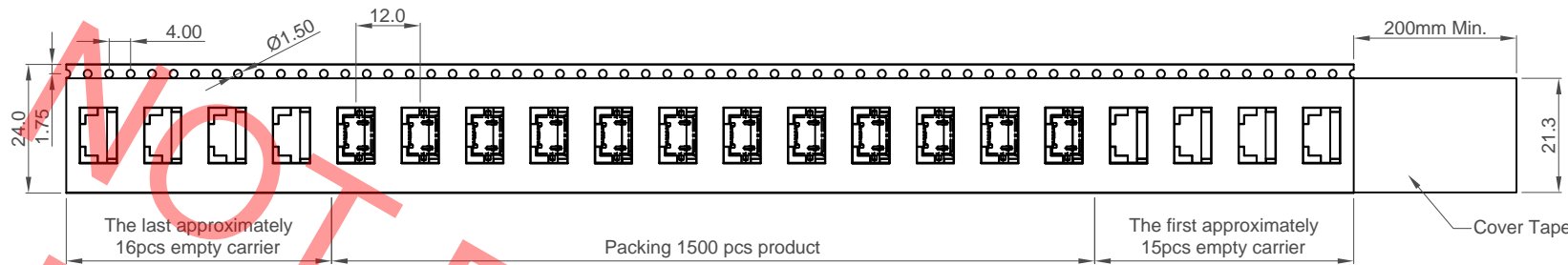
Ordering Grid

USB3095 - 30 - A Request Samples and Quotation

Contact Plating: 30 = 30u" Gold

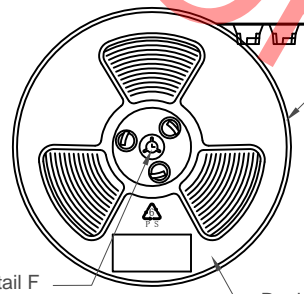
Packing Options: A = Tape & Reel (1.5K per Reel)

Part Number		Product Description		
USB3095		Micro USB Receptacle, Type AB, Mid Mount SMT, R/A, Bottom Mount, 1.00mm Offset, without Peg		
Drawing Date		4th April 2011		
By	CC	Tolerances (Except as Noted)	Units:	
Detail	USB3095 E PCN	Length	Metric (mm)	
Revision	E4	Angle		
Date	08/06/17	X.X ± 0.3	X.X° ± 2°	
		X.XX ± 0.20	X.XX° ± 1°	
		X.XXX ± 0.10	X.XXX° ± 0.5°	3rd Angle Projection
This drawing is confidential and copyright of Global Connector Technology, Ltd (GCT). This drawing must not be copied or disclosed without written consent. E & OE				©
Not to Scale	Drawn By SA	Sheet No. 1/2		



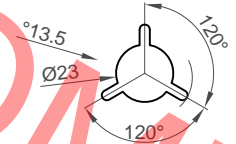
I/O Direction
卷盘绕逆时针方向转动

Peel off Angle
剥离角度



Cover Tape
盖带

Carrier Tape
载带



Products P/N	PCS/Reel	Reels/Carton	PCS/Carton
USB3095	1500	4	6000

- Notes注意:
1. Peeling off force of top tape: 0.1-1.3N
 2. Part Conforms to EIA-481-C Standards 产品符合EIA-481-C标准
 3. All dimensions in millimeters 所有尺寸均是毫米
 4. 10 sprocket hole pitch cumulative tolerance±0.2mm

Protection Tape
保护胶带

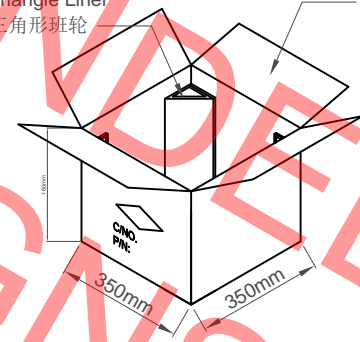
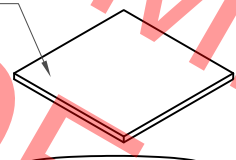
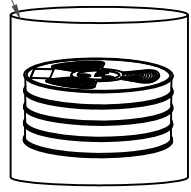
Waterproof bag
防水袋

Cardboard
纸板

Triangle Liner
三角形班轮

Carton
纸箱

Label
标签



1500 pieces/reel
1500 件/卷

4 Reels
4 卷轴

700x600x0.05

Part Number USB3095		Product Description Micro USB Receptacle, Type AB, Mid Mount SMT, R/A, Bottom Mount, 1.00mm Offset, without Peg			This drawing is confidential and copyright of Global Connector Technology, Ltd (GCT). This drawing must not be copied or disclosed without written consent. E & OE
Drawing Date 4th April 2011		Tolerances (Except as Noted) Length Angle			
By CC	Detail USB3095 E PCN	Units: Metric (mm)			
Revision E4	Date 08/06/17	www.gct.co			
Not to Scale		Drawn By SA	Sheet No. 2/2		