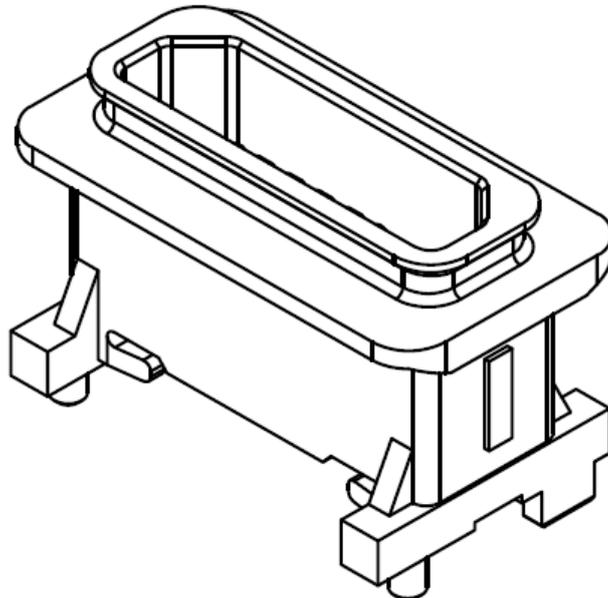
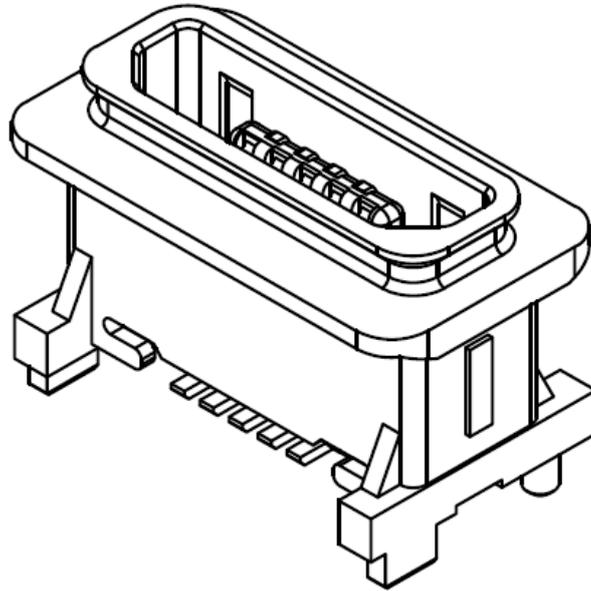


PRODUCT SPECIFICATION

Part Number	USB3510	Rev	A	Date	21/07/23		
Product Description	Micro USB Receptacle, Type B, Vertical, IP67			Page	1		
Doc Number	USB3510	Prepared	CC	Checked	YR	Approved	PH



PRODUCT SPECIFICATION

Part Number	USB3510	Rev	A	Date	21/07/23		
Product Description	Micro USB Receptacle, Type B, Vertical, IP67			Page	2		
Doc Number	USB3510	Prepared	CC	Checked	YR	Approved	PH

1.0 SCOPE

This specification covers performance, tests and quality requirements for the Micro USB Receptacle USB3510.

2.0 PRODUCT NAME AND PART NUMBER

Micro USB Receptacle, Type B, Vertical, IP67: USB3510.

3.0 PRODUCT SHAPE, DIMENSIONS AND MATERIAL

Please refer to drawing.

4.0 RATINGS

4.1 Current rating Signal (Pins 2, 3, 4) 1.0A

..... Power (Pins1, 5) 1.8A

4.2 Voltage Rating 30V AC

4.3 Operating Temperature Range -30°C to +85°C

5.0 TEST AND MEASUREMENT CONDITIONS

Product is designed to meet electrical, mechanical and environmental performance requirements specified in Paragraph 6.0. All tests are performed in ambient conditions unless otherwise specified.

6.0 PERFORMANCE

Item	Test Condition	Requirement
Examination of Product	Visual, dimensional and functional inspection as per quality plan.	Product shall meet requirements of product drawing and specification.

PRODUCT SPECIFICATION

Part Number	USB3510	Rev	A	Date	21/07/23		
Product Description	Micro USB Receptacle, Type B, Vertical, IP67			Page	3		
Doc Number	USB3510	Prepared	CC	Checked	YR	Approved	PH

6.1 Electrical Performance

Item	Test Condition	Requirement
Contact Resistance	When measured at 20mV maximum open circuit at 100mA. Mated test contacts must be in a connector housing In accordance with EIA-364-23.	30 mΩ Max.
Insulation Resistance	Mate/Un-mate connectors, apply 100V DC for 1 minute at sea level between adjacent terminal or ground. In accordance with EIA-364-21.	1000 MΩ Min.
Dielectric Withstanding Voltage	Mate/Un-mate connectors, apply 100V AC for 1 minute at sea level. In accordance with EIA-364-20.	No Breakdown

6.2 Mechanical Performance

Item	Test Condition	Requirement
Mating/Un-mating Force	Mate/Un-mated at a rate of 12.5mm/min. In accordance with EIA-364-13.	Mating force: 35N Max. Un-Mating force: 8N Min. to 25N Max.
Durability	10,000 cycles at a cycle rate of 500 cycles per hour if done automatically and 200 if manual cycles. In accordance with EIA-364-09.	Appearance: No Damage Mating force: 35N Max. Un-Mating force: 8N Min. to 25N Max Contact Resistance: 40mΩ Max.
Vibration	Mate connectors and subject to 5.35 Gs RMS. For a period of 15 minutes in each of the 3 mutually perpendicular axes. In accordance with EIA-364-28 Test condition V test letter A.	Appearance: No Damage Contact Resistance: 40 mΩ Max. Discontinuity: 1.0 μ second Max.
Mechanical Shock	Mate connectors and subject to the following shock conditions, 3 shocks shall be applied along 3 mutually perpendicular axis (Total of 18 shocks). Test Pulse at Half Sine Peak Value: 294 m/s ² (30G) Duration: 11ms. In accordance with EIA-364-27. Test condition H.	Appearance: No Damage Contact Resistance: 40 mΩ Max. Discontinuity: 1.0 μ second Max.

PRODUCT SPECIFICATION

Part Number	USB3510	Rev	A	Date	21/07/23		
Product Description	Micro USB Receptacle, Type B, Vertical, IP67			Page	4		
Doc Number	USB3510	Prepared	CC	Checked	YR	Approved	PH

6.3 Environmental Performance and Others

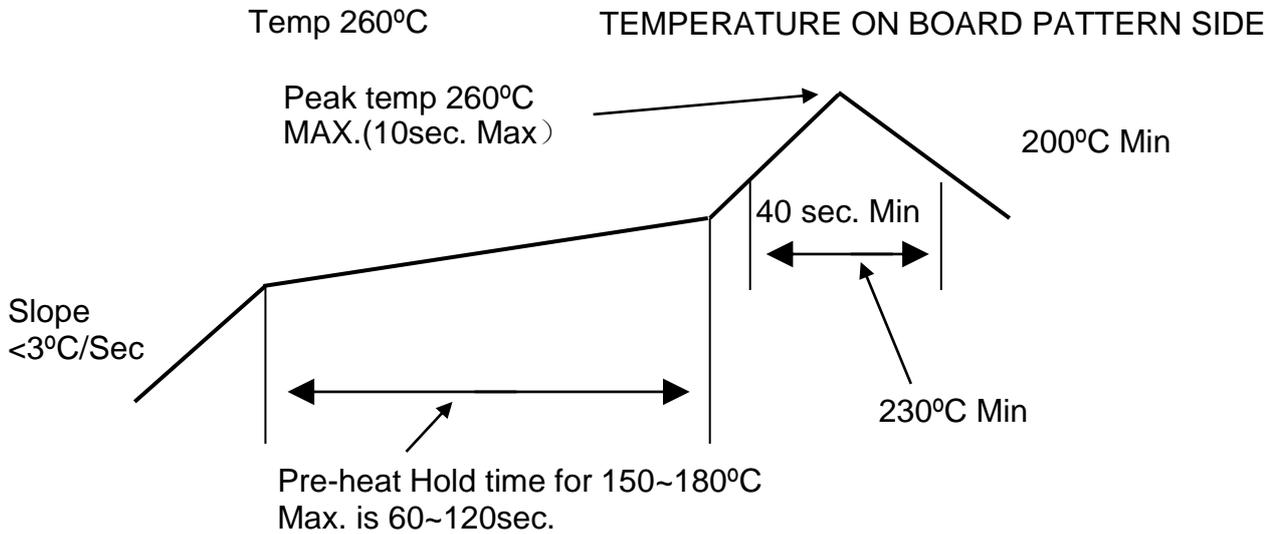
Item	Test Condition	Requirement
Humidity Test	Subject mated connectors to Duration: 168 hours temperature between +25°C to +65°C with 90 to 95% RH. In accordance with EIA-364-31. Test condition A method III	Appearance: No Damage Contact Resistance: 40 mΩ Max. Insulation Resistance: 100 MΩ Min. Dielectric Strength: No Breakdown
Salt Spray	Subject mated/unmated connectors to 5% salt-solution concentration, 35°C for 48 hours. In accordance with EIA-364-26, Test Condition B.	Contact Resistance: 40mΩ Max. No visible rust on contact area
Temperature Life	Subject mated connectors to temperature life at +85°C for 500hours. In accordance with EIA-364-17. Test condition 4 Method A.	Appearance: No Damage Contact Resistance: 40 mΩ Max.
Temperature Rise	Mate connector and measure the temperature rise of contact when the maximum rated current is passed and in accordance with EIA-364-70.	No more than 30°C increase
Thermal Shock	Mate module and subject to follow condition for 10 cycles. At -55°C to +85°C. In accordance with EIA-364-32, test condition I.	No Damage Contact Resistance: 40 mΩ Max. Insulation Resistance: 100 MΩ Min. Dielectric Strength: No Breakdown
Solderability	Dip solder-tails in flux then immerse in solder bath at 245 ±5°C up to 0.5mm from the bottom of the housing for 4~5 seconds. In accordance with EIA-364-52, category 2.	95% of immersed area must show no voids, pin holes.
Resistance to Soldering Heat (Reflow Soldering)	Sample mounted on PCB and subject to solder bath method, Temperature:260°C for 10±1 sec In accordance with EIA-364-56.	Without deformation of shell or excessive looseness of the terminals (pin)
Resistance to Soldering Heat (Hand Soldering)	Sample mounted on PCB and subject to hand iron soldering, Temperature:350±10°C for 3±1 sec	Without deformation of shell or excessive looseness of the terminals (pin)
Waterproof Test	Immerse the sample that be mounted in the specified enclosure in water as following conditions: Water depth:1m, Time: 1hour In accordance with IEC60529:2013	No leakage, water seepage, no obvious water mark in the test fixture.
Dust-tight Test	Put sample in a closed chamber with suspended talcum powder as following conditions: Pump speed:40-60 times of the shell volume per hour Amount of talcum powder:2kg/m ³ Time:2 hours In accordance with IEC60529:2013	No ingress of dust

PRODUCT SPECIFICATION

Part Number	USB3510	Rev	A	Date	21/07/23
Product Description	Micro USB Receptacle, Type B, Vertical, IP67			Page	5
Doc Number	USB3510	Prepared	CC	Checked	YR
		Approved	PH		

7.0 RESISTANCE TO INFRARED REFLOW SOLDERING HEAT

7.1 Lead Free Process: Reflow soldering cycles limited to one time.



8.0 PRODUCT QUALIFICATION AND TEST SEQUENCE

Test Item	Test Group									
	1	2	3	4	5	6	7	8	9	10
Examination of Product	1,9	1,8	1,5	1,5	1,3	1,3	1,3	1,3	1,3	1,3
Contact Resistance	3,7		2,4	2,4						
Insulation Resistance		2,6								
Dielectric Withstanding Voltage		3,7								
Mating / Unmating Forces	2,8									
Durability	4									
Vibration	6									
Mechanical Shock	5									
Humidity		5								
Salt Spray			3							
Temp Life				3						
Temp Rise					2					
Thermal Shock		4								
Solderability						2				
Resistance to Wave Soldering Heat							2			
Resistance to Hand Soldering Heat								2		
Waterproof Test									2	
Dust-tight Test										2

PRODUCT SPECIFICATION

Part Number	USB3510	Rev	A	Date	21/07/23		
Product Description	Micro USB Receptacle, Type B, Vertical, IP67			Page	6		
Doc Number	USB3510	Prepared	CC	Checked	YR	Approved	PH

Revision details:

Revision	Information	Page	Release Date
0.8	Draft for formal review	-	20/06/2023
A	Specification released	-	21/07/2023