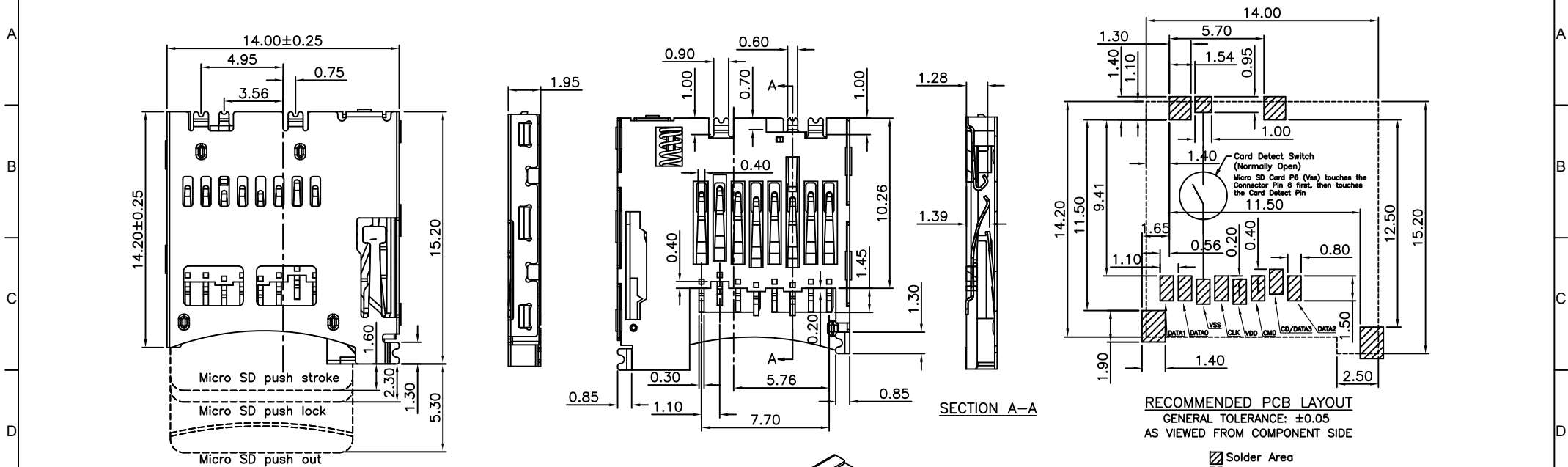


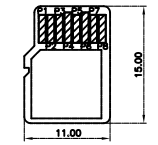
Global Connector Technology Ltd. - MEM2051: Micro SD Memory Card Connector, Push-Push, SMT, Card Entry Normal, 1.95mm Profile



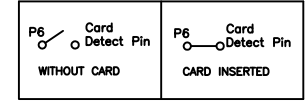
RECOMMENDED PCB LAYOUT
GENERAL TOLERANCE: ±0.05
AS VIEWED FROM COMPONENT SIDE

▨ Solder Area
□ Component Outline

MICRO SD CARD



CARD DETECT SWITCH CIRCUIT



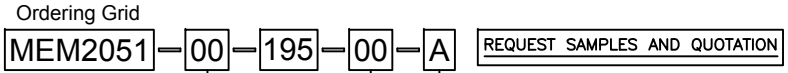
SPECIFICATION 规格:

MATERIAL 物料规格:
 PLASTIC HOUSING 塑胶外壳: LCP 液晶高分子
 CONTACT TERMINAL 接触端子: PHOSPHOR BRONZE 磷青铜
 METALLIC SHELL 金属外壳: STAINLESS STEEL 不锈钢

PLATING 电镀规格:
 CONTACT TERMINAL & CARD DETECT SWITCH 接触端子部分电镀 & 卡侦测端子:
 UNDER-PLATING 底层电镀: 50μ" NICKEL ALL OVER 全部镀镍50μ"
 CONTACT AREA 接触部分: GOLD FLASH 镀闪金
 SOLDERING AREA 焊接部分: 80μ" MIN. MATT TIN 雾锡
 METALLIC SHELL 金属外壳电镀:
 UNDER-PLATING 底层电镀: 50μ" NICKEL ALL OVER 全部镀镍50μ"
 SOLDERING AREA 焊接部分: GOLD FLASH 镀闪金

ELECTRICAL 电气规格:
 VOLTAGE RATING 电压额定值: 100 VAC MAX
 CURRENT RATING 电流额定值: 0.5 A MAX.
 OPERATING TEMPERATURE 工作温度: -25°C TO +85°C
 CONTACT RESISTANCE 接触电阻值: 100mΩ MAX.
 INSULATION RESISTANCE 绝缘电阻值: 1000MΩ MIN
 DIELECTRIC WITHSTANDING VOLTAGE 耐电压: 500VAC

MECHANICAL 机械性规格:
 DURABILITY 耐久性: 5000 CYCLES 5000 次插拔



Packing Options
 A = Tape & Reel
 (Quantity per Reel: 1100 pcs)

Switch
 00 = Normally Open
 00 = Without Locating Post

MICRO SD CARD PIN OUT		
Pin	Name	Description
P1	DAT2	Data Bit 2
P2	CD/DAT3	Card Detect/Data Bit 3
P3	CMD	Command Line
P4	V _{DD}	Supply Voltage 2.7v/3.6v
P5	CLK	Clock
P6	V _{SS}	Ground
P7	DAT0	Data Bit 0
P8	DAT1	Data Bit 1

By	ASE
DETAIL	DRAWING RELEASE
REV	A
DATE	14/11/11



Tolerances (Except as noted)	Part Number:-	Date:-
Dimensions in mm	MEM2051	02 NOV 11
X.X ±0.35 X.X° ±1° X.XX ±0.25 X.X° ±0.5° X.XXX ±0.150 X.XX° ±0.25°	Description:-	
	MICRO SD MEMORY CARD CONNECTOR, PUSH-PUSH, SMT, CARD ENTRY NORMAL, 1.95mm PROFILE	
Third Angle Projection	THIS DRAWING IS CONFIDENTIAL AND MUST NOT BE COPIED OR DISCLOSED WITHOUT WRITTEN CONSENT	

GCT

www.globalconnectortechonology.com

Scale	Revision	Material	Drawn by	Sheet No.
NTS	A	See Note	ASE	E & OE 1/2

