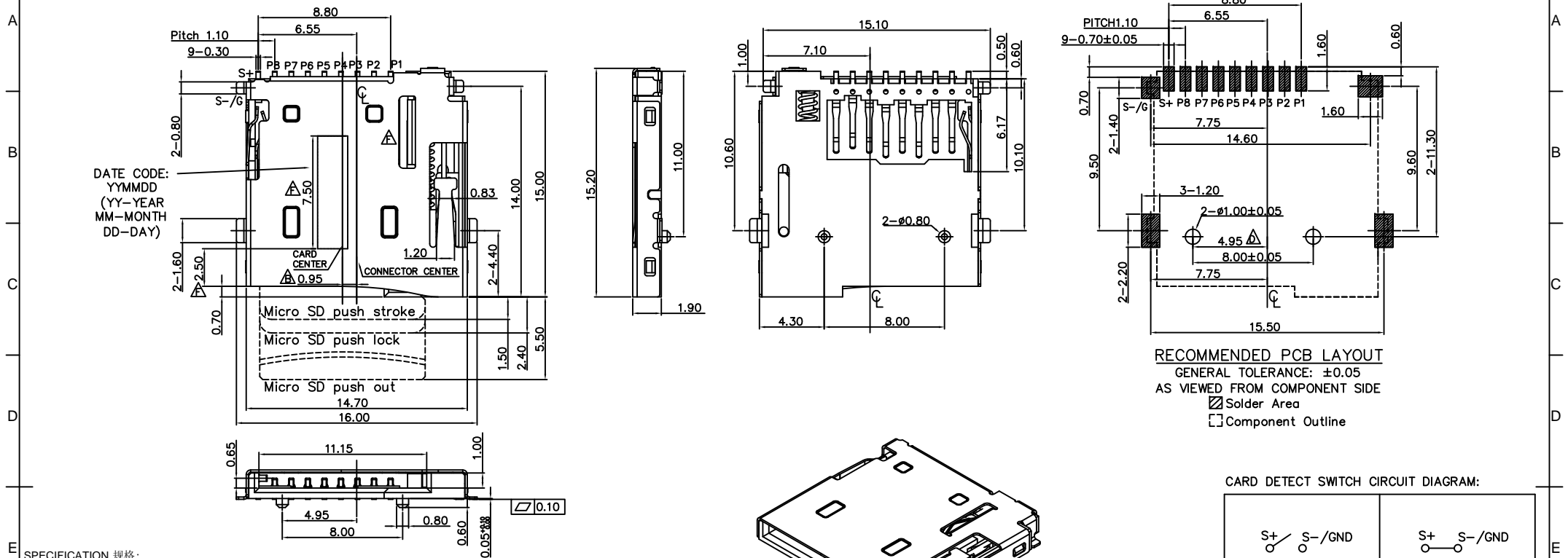


Global Connector Technology Ltd. - MEM2055: Micro SD Memory Card Connector, Push-Push, SMT, Card Entry Normal, 1.90mm Profile, With Locating Post



SPECIFICATION 规格:

MATERIAL 物料规格:

PLASTIC HOUSING 塑胶外壳:
 BASE 底座: HIGH-TEMP. THERMOPLASTIC UL94V-0 RATED 高温塑胶
 GUIDE 导块: HIGH-TEMP. THERMOPLASTIC UL94V-0 高温塑胶
 CONTACT TERMINAL 接触端子: PHOSPHOR BRONZE 磷青铜
 METALLIC SHELL 金属外壳: STAINLESS STEEL 不锈钢

PLATING 电镀规格:

CONTACT TERMINAL PLATING 接触端子部分电镀:
 UNDER-PLATING 底层电镀: 80U" NICKEL OVER ALL 全部镀镍80U"
 CONTACT AREA 接触部分: GOLD FLASH 镀闪金
 SOLDERING AREA 焊接部分: 100U" MATTE TIN 镀雾锡100U"
 METALLIC SHELL PLATING 金属外壳电镀:
 UNDER-PLATING 底层电镀: 80U" NICKEL OVER ALL 全部镀镍80U"
 SOLDERING AREA 焊接部分: GOLD FLASH 镀闪金
 SOLDER TAIL CO-PLANARITY 焊接末端同平面度: 0.10MM MAX.

ELECTRICAL 电气规格:

VOLTAGE RATING 额定电压值: 5VDC
 CURRENT RATING 额定电流值: 10mA MAX.
 OPERATING TEMPERATURE 工作温度: -25°C TO +85°C
 CONTACT RESISTANCE 接触电阻值: 80mΩ MAX.
 INSULATION RESISTANCE 绝缘电阻值: 1000MΩ MIN. (APPLY 施加500VDC)
 DIELECTRIC WITHSTANDING VOLTAGE 耐电压: APPLY 500VAC FOR 1 MIN; 施加 500VAC 共一分钟 (LEAKAGE CURRENT 漏电流 < 1mA)

MECHANICAL 机械性规格:

DURABILITY 耐久性: 5000 CYCLES 5000次插拔
 INSERTION FORCE 插入力: 15N MAX.

Ordering Grid

MEM2055-00-190-01-A

REQUEST SAMPLES AND QUOTATION

Packing Options
 A = Tape & Reel
 (Quantity per Reel: 1000 pcs)

Switch
 00 = Normally Open
 01 = With Locating Peg

Pin	Name	Description
P1	DAT2	Data Bit 2
P2	CD/DAT3	Card Detect/Data Bit 3
P3	CMD	Command Line
P4	V _{DD}	Supply Voltage 2.7v/3.6v
P5	CLK	Clock
P6	V _{SS}	Ground
P7	DAT0	Data Bit 0
P8	DAT1	Data Bit 1

By	PKN	PN	PN	PN	ASE	SA	SA
DETAIL	DRAWING RELEASE	MicroSD CARD CENTERLINE & CENTERLINE DIMENSION ADDED	UPDATED DRAWING - NEW RELEASE	PCB DIMENSION ADDED	CHANGE TO SPECIFICATION	CHANGE TO CUT OUT DETAIL AND DIMENSION	PIN 8 NAME UPDATE
REV	A	B	C	D	E	F	G
DATE	15/02/07	03/06/09	17/08/09	01/09/09	03/09/09	07/05/10	15/10/10



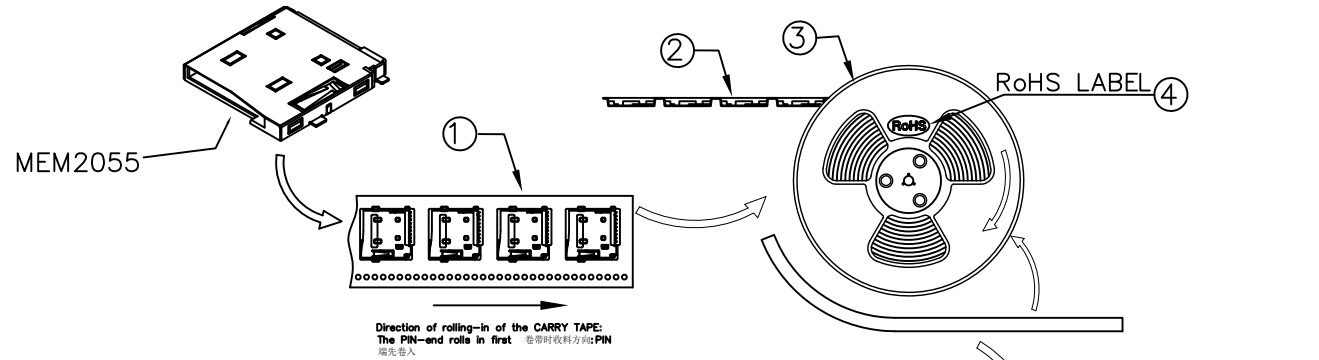
Tolerances (Except as noted)	Part Number:-	Date:-
Dimensions in mm	MEM2055	15 FEB 07
XX ± 0.38 X.XX ± 0.25	Description:-	
X.° ± 2° X.X° ± 1°	MICRO SD MEMORY CARD CONNECTOR, PUSH-PUSH, SMT, CARD ENTRY NORMAL, 1.90mm PROFILE, WITH LOCATING PEG	
Third Angle Projection	THIS DRAWING IS CONFIDENTIAL AND MUST NOT BE COPIED OR DISCLOSED WITHOUT WRITTEN CONSENT	

GCT

www.globalconnectortech.com

Scale NTS	Revision G	Material See Note	Drawn by PKN	Sheet No. E & OE 1/2
-----------	------------	-------------------	--------------	----------------------

Global Connector Technology Ltd. - MEM2055: Micro SD Memory Card Connector, Push-Push, SMT, Card Entry Normal, 1.90mm Profile, With Locating Post



No	Description	品名	QTY	用量
1	Carry Tape	卷带	20.6M/Reel	卷筒
2	Cover Tape	封带	20.6M/Reel	卷筒
3	Reel	卷筒	10 PCS	件
4	RoHS Label	标签	21 PCS	件
5	Inner Carton	内箱	10 PCS	件
6	Outer Carton	外箱	1 PCS	件

Notes注意:

1. Each Cavity of the CARRY TAPE holds 1pc. of Product. The 1st & last 30cm of at the leading & tail of the Tape will not be used 卷带中每位置放置一个产品,每卷卷带的两端各预留约30cm不使用

2. When products are filling into the CARRY TAPE, use adhesive tape to close the openings. 1 REEL holds 1000 products 边放产品边用封胶带封口,1个卷盘放置1000个产品

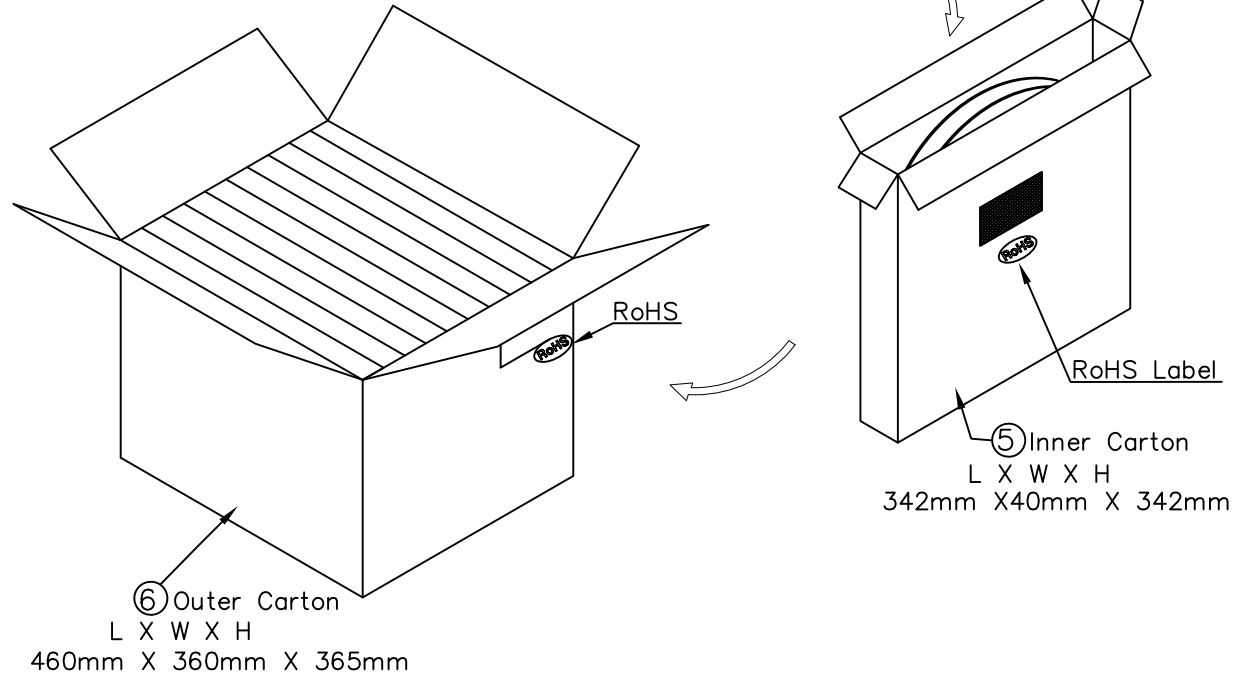
3. Then tangle the REEL with another round of protection tape, let it overlapped for about 50mm, use wringling adhesive tape to close it 然后再卷一圈保护带,保护带最后重叠约50mm,用皱纹胶纸将其封住

4. Stick 1pc of "RoHS" label on each REEL, then put it in the inner carton 每个卷盘上贴"RoHS"标签后入内箱

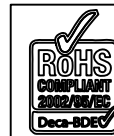
5. Use adhesive tape to close the inner carton. On each inner carton, at the assigned position as indicated in the diagram, stick 1pc of "RoHS" label. 内箱外则以胶带封口,每个内箱外则图示位置贴1张"RoHS"标签

6. Insert 10 inner cartons per 1 outer carton 每10个内箱入1个外箱

7. Stick a "RoHS" label on the outside of the outer carton as shown 外箱外则图示位置需贴1张"RoHS"标签



By	PKN	PN	PN	PN	ASE	SA	SA
DETAIL	DRAWING RELEASE	MicroSD CARD CENTERLINE & CENTERLINE DIMENSION ADDED	UPDATED DRAWING - NEW RELEASE	PCB DIMENSION ADDED	CHANGE TO SPECIFICATION	CHANGE TO CUT OUT DETAIL AND DIMENSION	PIN 8 NAME UPDATE
REV	A	B	C	D	E	F	G
DATE	15/02/07	03/06/09	17/08/09	01/09/09	03/09/09	07/05/10	15/10/10



Tolerances (Except as noted)	Part Number:-	Date:-
Dimensions in mm	MEM2055	15 FEB 07
	Description:-	
	MICRO SD MEMORY CARD CONNECTOR, PUSH-PUSH, SMT, CARD ENTRY NORMAL, 1.90mm PROFILE, WITH LOCATING PEG	
Third Angle Projection	© THIS DRAWING IS CONFIDENTIAL AND MUST NOT BE COPIED OR DISCLOSED WITHOUT WRITTEN CONSENT	

GCT				
www.globalconnectortechnology.com				
Scale	Revision	Material	Drawn by	Sheet No.
NTS	G	See Note	PKN	E & OE
				2/2