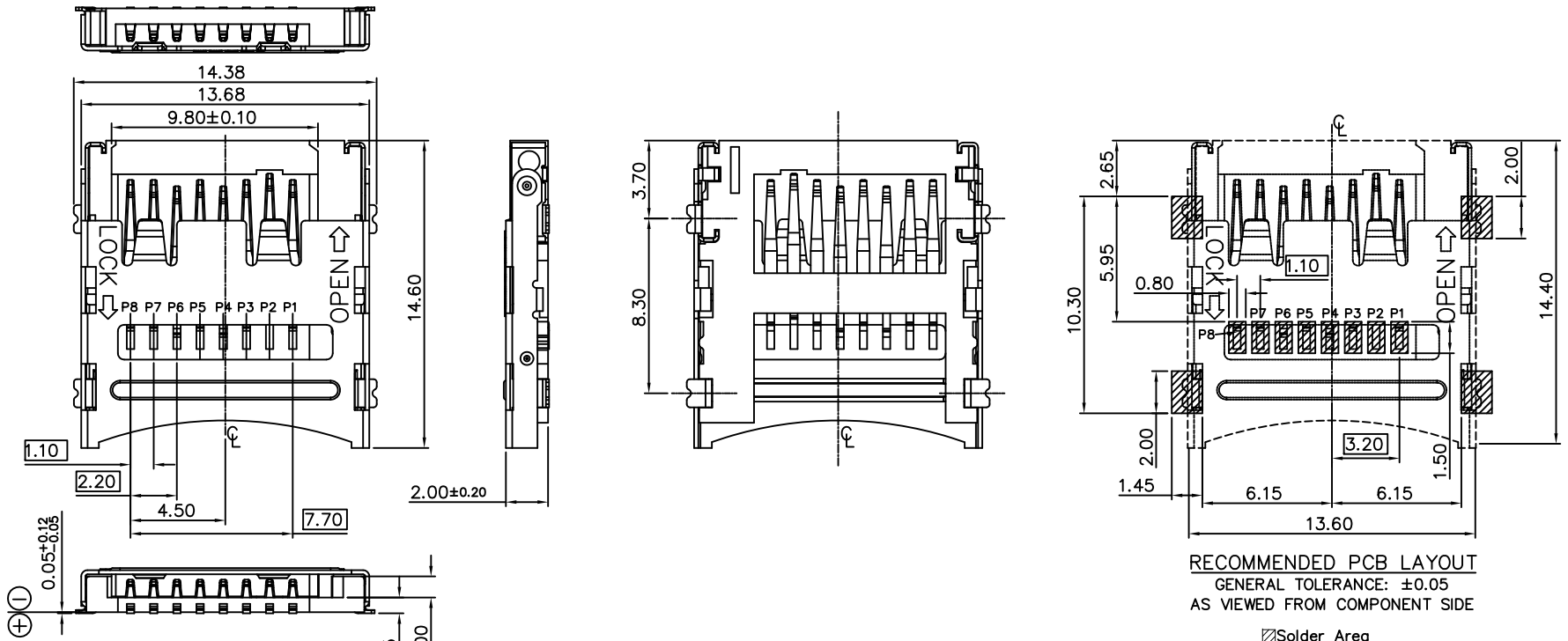


Global Connector Technology Ltd. - MEM2065: Micro SD Memory Card Connector, SMT, Hinged, 2.00mm Profile



SPECIFICATION 规格:

MATERIAL 物料规格:

PLASTIC HOUSING 塑胶外壳: HI-TEMP. THERMOPLASTIC UL94V-0 高温塑胶
 CONTACT TERMINAL 接触端子: PHOSPHOR BRONZE 磷青铜
 METALLIC SHELL 金属外壳: STAINLESS STEEL (SUS304R-H) 不锈钢

PLATING 电镀规格:

CONTACT TERMINAL PLATING 接触端子部分电镀:
 UNDER-PLATING 底层电镀: 60U" NICKEL OVER ALL 全部镀镍60U"
 CONTACT AREA 接触部分: 15U" GOLD 镀金15U"
 SOLDERING AREA 焊接部分: 100U" MATTE TIN 镀雾锡100U"
 METALLIC SHELL PLATING 金属外壳电镀:
 UNDER-PLATING 底层电镀: 50U" NICKEL OVER ALL 全部镀镍 50U"
 SOLDERING AREA 焊接部分: GOLD FLASH 镀闪金
 SOLDER TAIL CO-PLANARITY 焊接末端同平面度: 0.12MM MAX.

ELECTRICAL 电气规格:

VOLTAGE RATING 电压额定值: 100 VAC (R.M.S.)
 CURRENT RATING 电流额定值: 1.0 A MAX
 OPERATING TEMPERATURE 工作温度: -25°C TO +85°C
 CONTACT RESISTANCE 接触电阻值: 100 mΩ MAX
 INSULATION RESISTANCE 绝缘电阻值: 500MΩ MIN (APPLY 施加500VDC)
 DIELECTRIC WITHSTANDING VOLTAGE 耐电压: WITHSTAND 500 VAC FOR 1 MINUTE 能承受 500 VAC 1分钟

MECHANICAL 机械性规格:

DURABILITY 耐久性: 1000 CYCLES 1000次插拔
 CONTACT RETENTION FORCE 接触保持力: 100GF/PIN MIN. OR 0.98N/PIN MIN.

By	PKN	DMR	PKN	SA
DETAIL	DRAWING RELEASE	ECN070514A	ECN080228A	PIN 8 NAME UPDATE
REV	A	B	C	D
DATE	29/04/07	14/05/07	28/02/08	15/10/10

Ordering Grid

MEM2065 - 02 - 200 - 00 - A REQUEST SAMPLES AND QUOTATION

Packing Options
 A = Tape & Reel
 (Quantity per Reel: 1000 pcs)
 00 = Without Locating Post
 Switch
 02 = Without Switch

MICRO SD CARD PIN OUT		
Pin	Name	Description
P1	DAT2	Data Bit 2
P2	CD/DAT3	Card Detect/Data Bit 3
P3	CMD	Command Line
P4	VDD	Supply Voltage 2.7v/3.6v
P5	CLK	Clock
P6	VSS	Ground
P7	DAT0	Data Bit 0
P8	DAT1	Data Bit 1

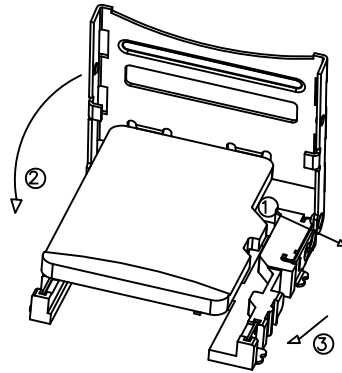
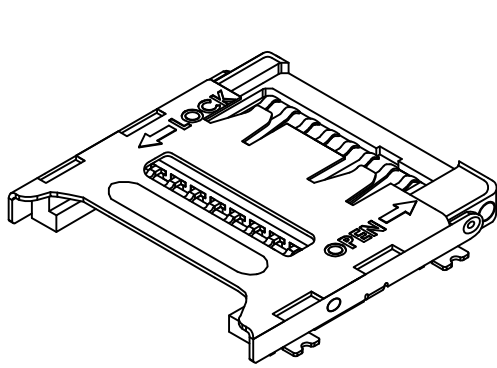
Tolerances (Except as noted)	Part Number:- MEM2065	Date:- 29 APR 07
Dimensions in mm X.X ± 0.35 X.X" ± 1" X.XX ± 0.25 X.X" ± 0.5" X.XXX ± 0.150 X.XX" ± 0.25"	Description:- MICRO SD MEMORY CARD CONNECTOR, SMT, HINGED, 2.00mm PROFILE	
	THIS DRAWING IS CONFIDENTIAL AND MUST NOT BE COPIED OR DISCLOSED WITHOUT WRITTEN CONSENT	



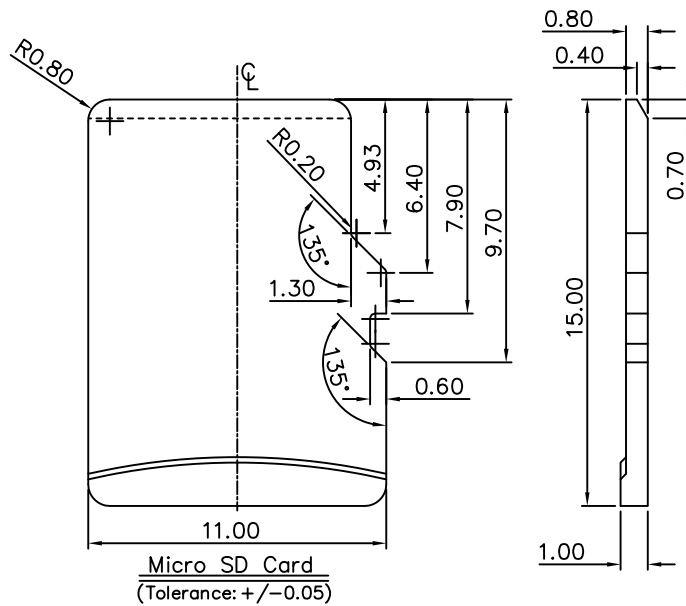
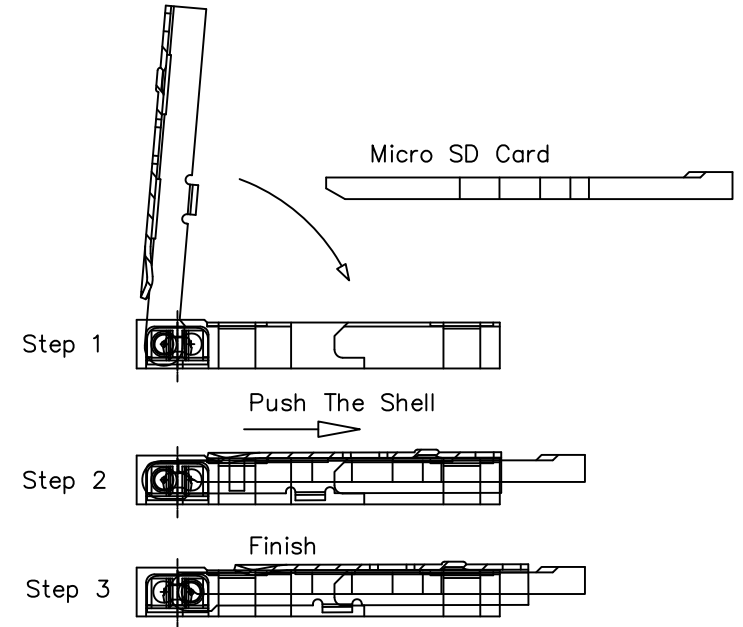
GCT

www.globalconnectortechology.com

Scale NTS	Revision D	Material See Note	Drawn by PKN	Sheet No. E & OE 1/4
--------------	---------------	----------------------	-----------------	----------------------------



- ① Insert Card
- ② Close Lid
- ③ Slide Lid To Lock



By	PKN	DMR	PKN	SA
DETAIL	DRAWING RELEASE	ECN070514A	ECN080228A	PIN & NAME UPDATE
REV	A	B	C	D
DATE	29/04/07	14/05/07	28/02/08	15/10/10

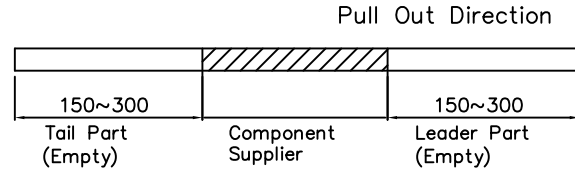
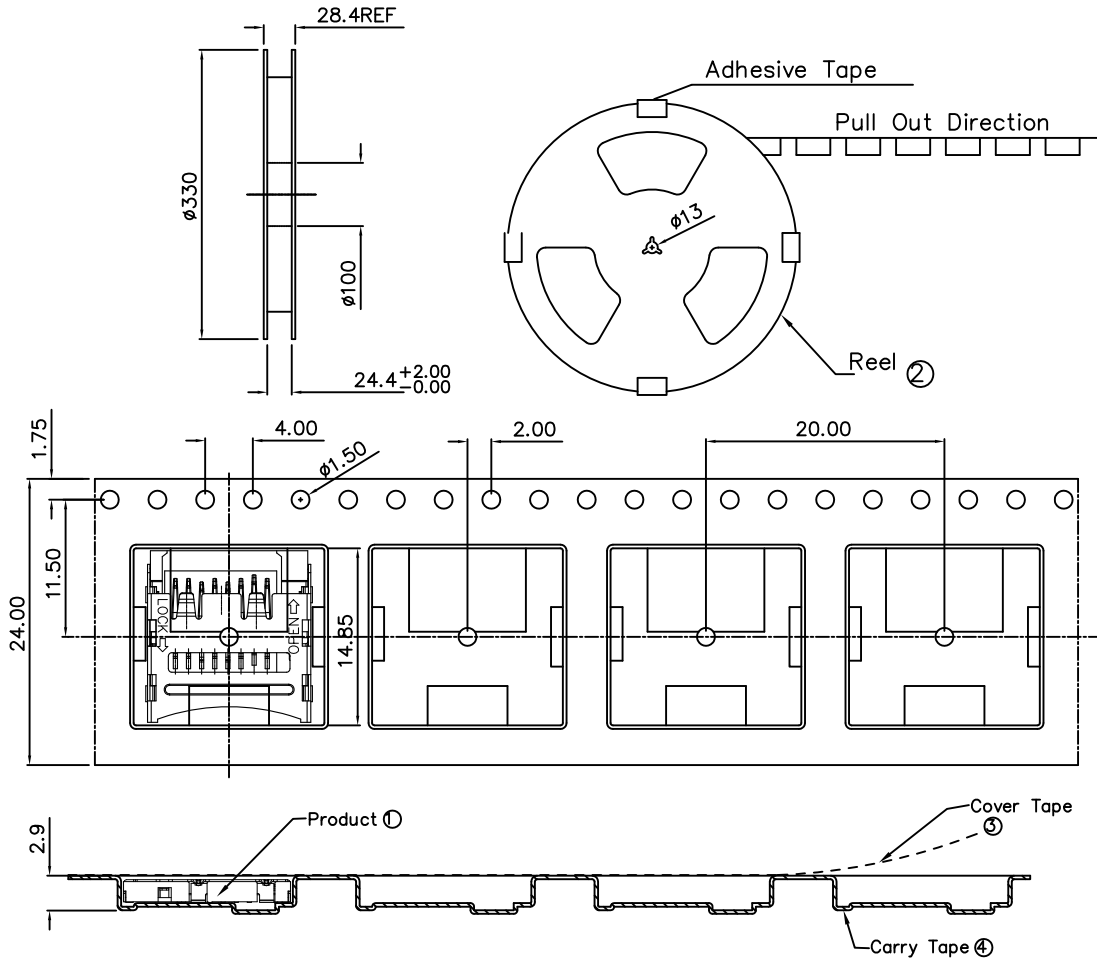


Tolerances (Except as noted)	Part Number:-	Date:-
Dimensions in mm	MEM2065	29 APR 07
X.X ± 0.35 X.XX ± 0.25 X.XXX ± 0.150	X.° ± 1° X.X° ± 0.5° X.XX° ± 0.25°	Description:-
		MICRO SD MEMORY CARD CONNECTOR, SMT, HINGED, 2.00mm PROFILE
© THIS DRAWING IS CONFIDENTIAL AND MUST NOT BE COPIED OR DISCLOSED WITHOUT WRITTEN CONSENT		

GCT

www.globalconnectortechology.com

Scale	Revision	Material	Drawn by	Sheet No.
NTS	D	See Note	PKN	2/4
			E & OE	



Notes 注意:

1. Reserve 150-300mm at the leader & tail of the carry tape, not to fill any product there. Carry tape 前部分与尾部分各留出200-300mm长度不装产品
2. Each cavity will hold 1pc. of product. Placement method is as shown in diagram. 每穴放置1pc产品, 放置方式如图所示
5. Firstly place 1pc. of hard card-board and 1pc. of bubble-pad at the bottom of the carton, and at the four sides, place the triangular pads, then insert the filled reel into the center of the carton. Between the reels, place 1pc. of bubble-pad as separator, until 5pc. of reel are all filled. Then place 1pc of bubble-pad & 1pc. of hard card-board on top, close the carton box by plastic tape at last. 先在纸箱底部垫上1pc硬纸板, 后再垫上1pc气泡垫, 四角垫上三角垫, 然后把装好产品的reel放进纸箱中, 每reel之间隔1pc气泡垫, 依次把5 reel 产品放到纸箱中, 上面再垫上各1pc气泡垫及硬纸板, 最后用胶带封箱.
4. The Packing Method is by Hot-Melting. 包装方式是热熔式
6. The peel-off force between the cover tape & carry tape is: 0.1N-0.7N (variation within 0.3N). Peel-off angle: 165-175 degree; Speed of peel-off: 250mm-300mm/min. Cover tape with carry tape 剥离力: 0.1N-0.7N(跳动量在 0.3N以内) 剥离角度: 165-175度; 剥离速度: 250mm-300mm/分钟

Packing BOM 包装清单:

Item	Description	Specification 规格	QTY 数量
①	Micro SD Hinged 掀盖	Micro SD Hinged 掀盖	5000PCS
②	Reel 卷筒	D= Ø330mm, d= Ø100mm, H=24.4mm	5PCS
③	Cover Tape	W=21.3mm, T=0.05mm	20600mm
④	Carry Tape	W=24mm, P=20, T=0.3mm	20600mm
⑤	Hard Cardboard 硬纸板	330mm*330mm*3mm	2PCS
⑥	Bubble-Pad 气泡垫	310mm*310mm*5mm	6PCS
⑦	Label 标签		6PCS
⑧	Triangular Pad 三角垫	120mm*85mm*155mm(T=3mm)	4PCS
⑨	Carton 纸箱	348mm*348mm*177mm	1PCS

By	PKN	DMR	PKN	SA
DETAIL	DRAWING RELEASE	ECN070514A	ECN080228A	PIN # NAME UPDATE
REV DATE	A 29/04/07	B 14/05/07	C 28/02/08	D 15/10/10

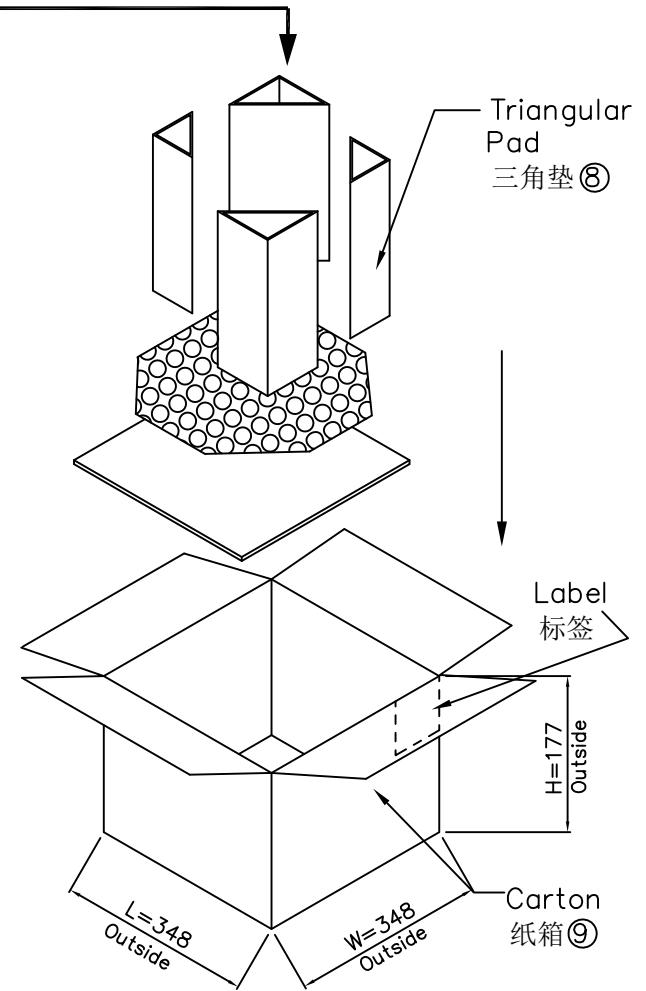
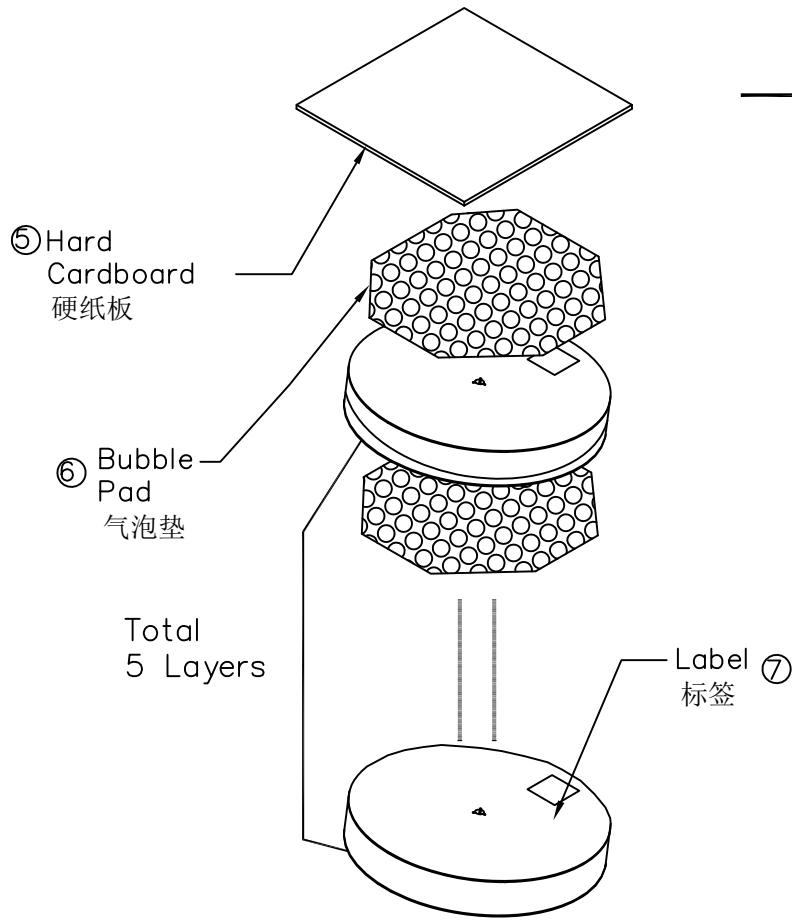


Tolerances (Except as noted)	Part Number:- MEM2065	Date:- 29 APR 07
Dimensions in mm	Description:- MICRO SD MEMORY CARD CONNECTOR, SMT, HINGED, 2.00mm PROFILE	
Third Angle Projection	THIS DRAWING IS CONFIDENTIAL AND MUST NOT BE COPIED OR DISCLOSED WITHOUT WRITTEN CONSENT	

GCT

www.globalconnectortechonology.com

Scale NTS	Revision D	Material See Note	Drawn by PKN	Sheet No. 3/4
-----------	------------	-------------------	--------------	---------------



Notes注意:

- 1.Primary Packing第一重包装: 1K pcs/reel 1000件/卷筒
- 2.Secondary Packing第二重包装: 5 reel/carton (5K pcs/carton) 5卷筒/纸箱 (5000件/纸箱)
- 3.Net Weight净重: 0.36g/reel 360g/reel
- 4.Gross Weight毛重: 0.80kg/reel, 5.0Kg/carton

By	PKN	DMR	PKN	SA
DETAIL	DRAWING RELEASE	ECN070514A	ECN080228A	PIN & NAME UPDATE
REV	A	B	C	D
DATE	29/04/07	14/05/07	28/02/08	15/10/10



Tolerances (Except as noted)	Part Number:-	Date:-
Dimensions in mm	MEM2065	29 APR 07
	Description:-	
	MICRO SD MEMORY CARD CONNECTOR, SMT, HINGED, 2.00mm PROFILE	
Third Angle Projection	© THIS DRAWING IS CONFIDENTIAL AND MUST NOT BE COPIED OR DISCLOSED WITHOUT WRITTEN CONSENT	

GCT

www.globalconnectortech.com

Scale	Revision	Material	Drawn by	Sheet No.
NTS	D	See Note	PKN	E & OE 4/4