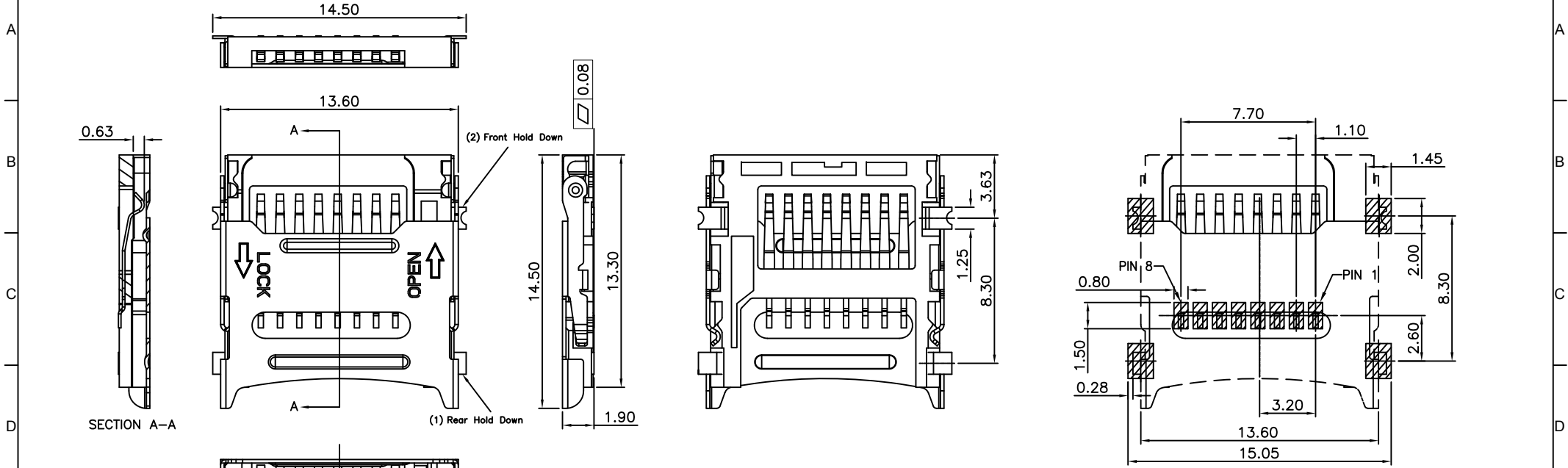


Global Connector Technology Ltd. - MEM2066: Micro SD Memory Card Connector, SMT, Hinged, 1.90mm Profile



RECOMMENDED PCB LAYOUT
GENERAL TOLERANCE: ±0.05
AS VIEWED FROM COMPONENT SIDE

▨ Solder Area
- - - Component Outline

SPECIFICATION 规格:

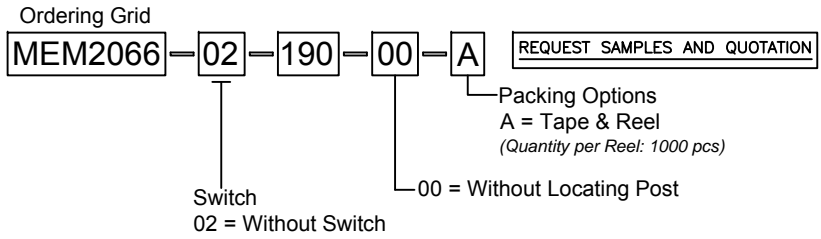
MATERIAL 物料规格:
PLASTIC HOUSING 塑胶外壳: HI-TEMP. THERMOPLASTIC UL94V-0, BLACK 高温塑胶
CONTACT TERMINAL 接触端子: COPPER ALLOY 铜合金
METALLIC SHELL 金属外壳: STAINLESS STEEL 不锈钢
SMT HOLD DOWN 贴片按住: COPPER ALLOY 铜合金
PLATING 电镀规格:

CONTACT TERMINAL PLATING 接触端子部分电镀:
UNDER-PLATING 底层电镀: 50μ" NICKEL OVER ALL 全部镀镍50μ"
CONTACT AREA 接触部分: GOLD FLASH 镀金
SOLDERING AREA 焊接部分: 80~120μ" TIN 锡80~120μ"
SMT HOLD DOWN PLATING 电镀表面贴片按住:
UNDER-PLATING 底层电镀: 50μ" NICKEL 镍50μ"
REAR HOLD DOWN (1) 后方按住: 80~120μ" TIN 锡80~120μ"
FRONT HOLD DOWN (2) 前按住: GOLD FLASH 镀金

ELECTRICAL 电气规格:
VOLTAGE RATING 电压额定值: 100V AC/DC
CURRENT RATING 电流额定值: 1.0 A MAX
OPERATING TEMPERATURE 工作温度: -55°C TO +85°C
CONTACT RESISTANCE 接触电阻值: 100 mΩ MAX
INSULATION RESISTANCE 绝缘电阻值: 500MΩ MIN (APPLY 施加500VDC)
DIELECTRIC WITHSTANDING VOLTAGE 耐电压: WITHSTAND 500 VAC FOR 1 MINUTE 能承受 500 VAC 1分钟

MECHANICAL 机械性规格:
DURABILITY 耐久性: 1000 CYCLES 1000次插拔
CONTACT RETENTION FORCE 接触保持力: 0.98 N /PIN MIN. (0.1kgf /PIN MIN.)

By	SA
DETAIL	DRAWING RELEASE
REV	A
DATE	11/04/11



MICRO SD CARD PIN OUT		
Pin	Name	Description
P1	DAT2	Data Bit 2
P2	CD/DAT3	Card Detect/Data Bit 3
P3	CMD	Command Line
P4	VDD	Supply Voltage 2.7v/3.6v
P5	CLK	Clock
P6	VSS	Ground
P7	DAT0	Data Bit 0
P8	DAT1	Data Bit 1

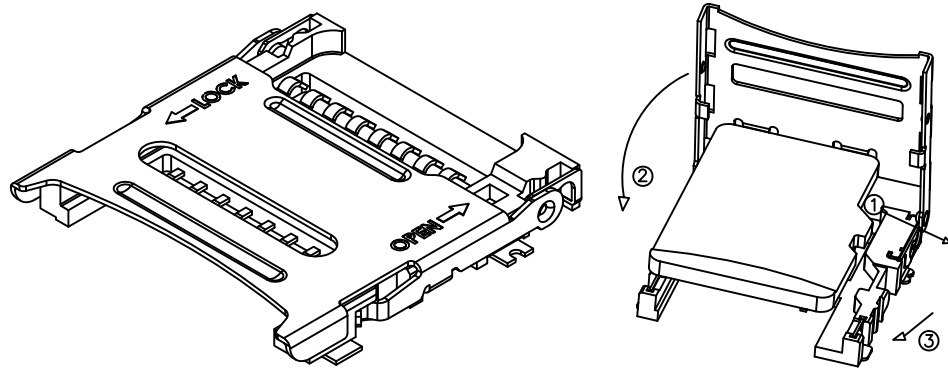


Tolerances (Except as noted)	Part Number:-	Date:-
Dimensions in mm	MEM2066	11 APR 11
X.X ± 0.35 X.XX ± 0.25 X.XXX ± 0.150	X." ± 1" X.X" ± 0.5" X.XXX" ± 0.25"	Description:-
		MICRO SD MEMORY CARD CONNECTOR, SMT, HINGED, 1.90mm PROFILE
Third Angle Projection	THIS DRAWING IS CONFIDENTIAL AND MUST NOT BE COPIED OR DISCLOSED WITHOUT WRITTEN CONSENT	

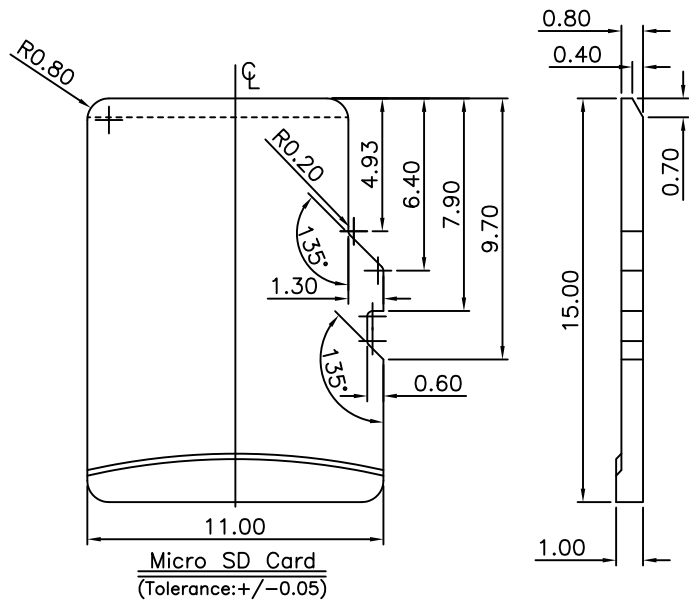
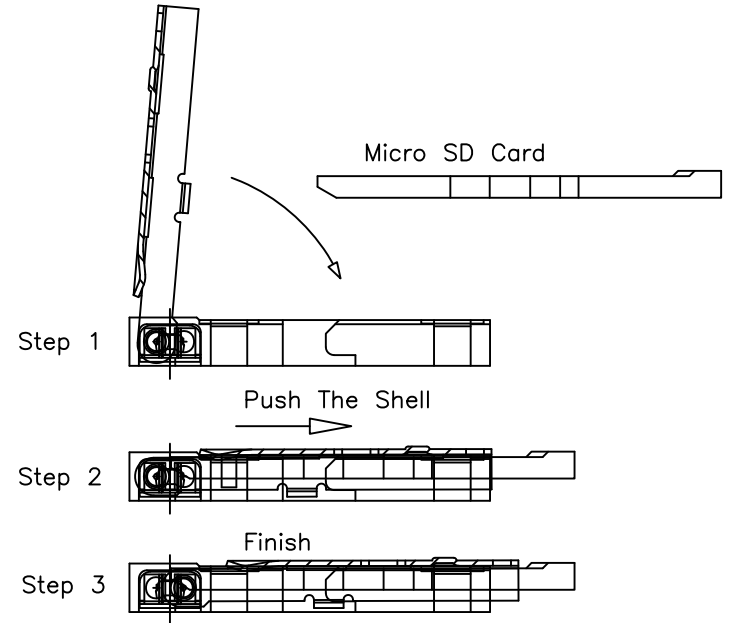
GCT

www.globalconnectortech.com

Scale	Revision	Material	Drawn by	Sheet No.
NTS	A	See Note	SA	E & OE 1/4



- ① Insert Card
- ② Close Lid
- ③ Slide Lid To Lock



By	SA
DETAIL	DRAWING RELEASE
REV DATE	A 11/04/11

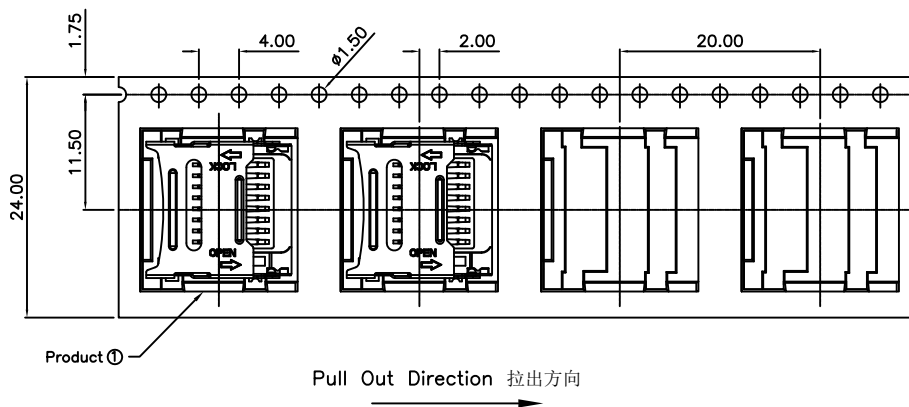
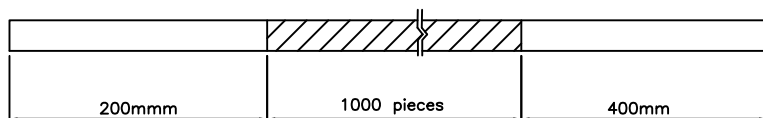
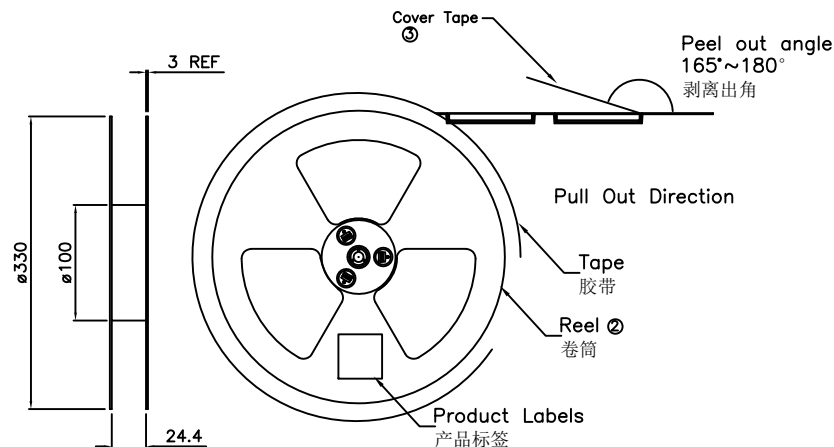


Tolerances (Except as noted)		Part Number:-	Date:-
Dimensions in mm		MEM2066	11 APR 11
X.X ± 0.35	X.° ± 1°	Description:- MICRO SD MEMORY CARD CONNECTOR, SMT, HINGED, 1.90mm PROFILE	
X.XX ± 0.25	X.X° ± 0.5°		
X.XXX ± 0.150	X.XX° ± 0.25°		
Third Angle Projection		© THIS DRAWING IS CONFIDENTIAL AND MUST NOT BE COPIED OR DISCLOSED WITHOUT WRITTEN CONSENT	

GCT

www.globalconnectortechology.com

Scale	Revision	Material	Drawn by	Sheet No.
NTS	A	See Note	SA	2/4
			E & OE	



Notes注意:

1. Reserve 400mm at the leader & 200mm at the tail of the carry tape, not to fill any product there. 卷带开始端留空400mm, 末端留空200mm.
2. Each cavity will hold 1pc. of product. Placement method is as shown in diagram. 每穴放置1pc产品, 放置方式如图所示
3. Firstly place 1pcs cardboard at the bottom of the carton and place 2 triangular pads at the two of the carton corner. Put the filled reels into the carton. Then place 1pc of cardboard on top. Seal the carton by plastic tape 首先垫上1pc硬纸板, 在纸箱的两角垫上三角垫, 然后将装满产品的卷盘放入纸箱, 再在顶上垫上1pc硬纸板, 用胶带封上纸箱
4. Use stick tape for tape and reel packing. 载带使用自粘式胶带
5. The peel-off force between the cover tape & carry tape is: 30gf-100gf. Peel-off angle: 165°-180°; Speed of peel-off: 300mm/min. Cover tape与carry tape剥离力: 30gf-100gf 剥离角度: 165°-180° 剥离速度: 250mm-300mm/分钟

Packing BOM 包装清单:

Item	Description	Specification规格	QTY数量
①	Micro SD Hinged掀盖	Micro SD Hinged掀盖	5000PCS
②	Reel卷筒	D= Ø330mm, d= Ø100mm, H=24.4mm	5PCS
③	Cover Tape	W=21.3mm, T=0.05mm	20600mm
④	Hard Cardboard 硬纸板	330mm*330mm*3mm	2PCS
⑤	Label 标签		6PCS
⑥	Triangular Pad 三角垫		4PCS
⑦	Carton 纸箱	350mm*350mm*177mm	1PCS

By	SA
DETAIL	DRAWING RELEASE
REV DATE	A 11/04/11



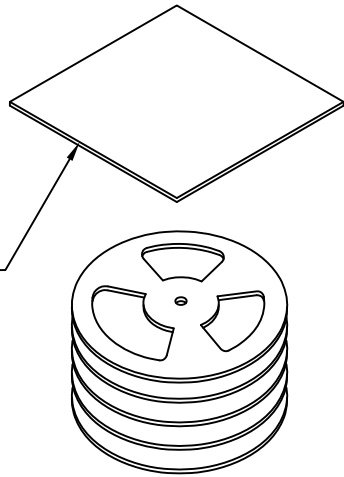
Tolerances (Except as noted)	Part Number:- MEM2066	Date:- 11 APR 11
Dimensions in mm	Description:- MICRO SD MEMORY CARD CONNECTOR, SMT, HINGED, 1.90mm PROFILE	
Third Angle Projection	THIS DRAWING IS CONFIDENTIAL AND MUST NOT BE COPIED OR DISCLOSED WITHOUT WRITTEN CONSENT	

GCT

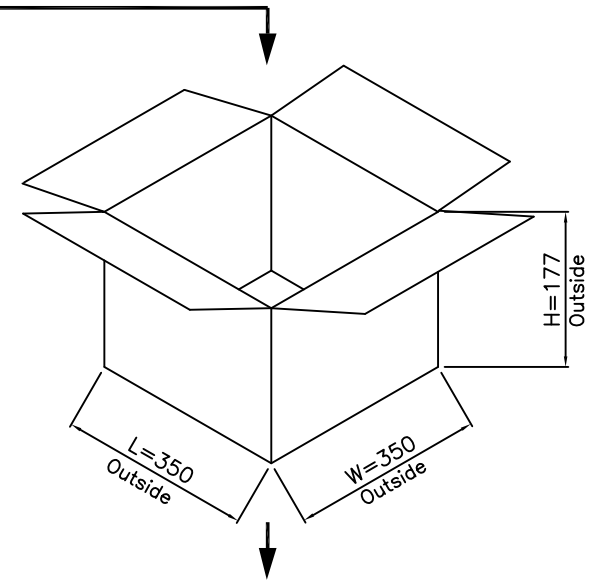
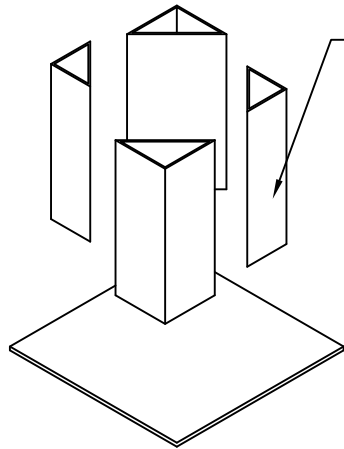
www.globalconnectortechnology.com

Scale NTS	Revision A	Material See Note	Drawn by SA	E & OE	Sheet No. 3/4
-----------	------------	-------------------	-------------	--------	---------------

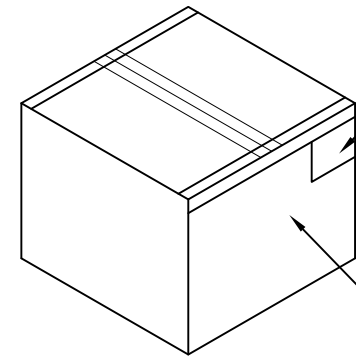
⑤ Hard Cardboard
硬纸板



Triangular Pad
三角垫 ⑥



Label
标签



Carton
纸箱 ⑦

Notes注意:

1. Primary Packing第一重包装: 1K pcs/reel 1000件/卷筒
2. Secondary Packing第二重包装: 5 reel/carton (5K pcs/carton) 5卷筒/纸箱 (5000件/纸箱)
3. Net Weight/piece净重/件: 0.37g/reel
4. Net Weight/carton净重/箱: 1.85Kg
5. Gross Weight/carton毛重/箱: 4.7Kg/carton

By	SA
DETAIL	DRAWING RELEASE
REV DATE	A 11/04/11



Tolerances (Except as noted)	Part Number:- MEM2066	Date:- 11 APR 11
Dimensions in mm	Description:- MICRO SD MEMORY CARD CONNECTOR, SMT, HINGED, 1.90mm PROFILE	
Third Angle Projection	© THIS DRAWING IS CONFIDENTIAL AND MUST NOT BE COPIED OR DISCLOSED WITHOUT WRITTEN CONSENT	

GCT

www.globalconnectortechology.com

Scale NTS	Revision A	Material See Note	Drawn by SA	E & OE	Sheet No. 4/4
--------------	---------------	----------------------	----------------	--------	------------------