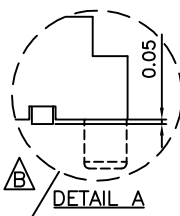
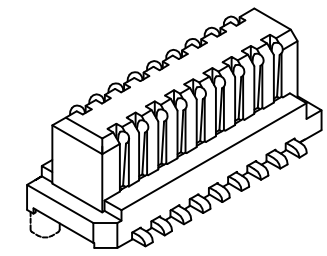
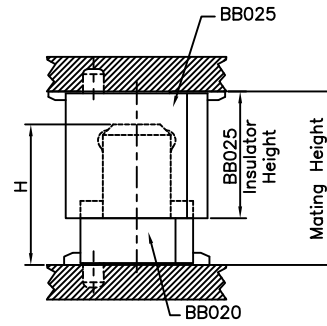
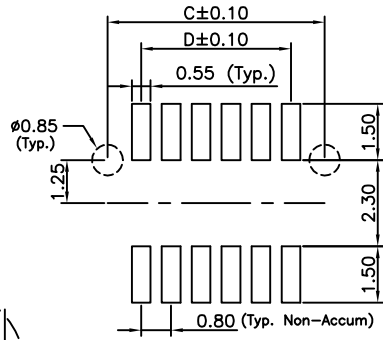
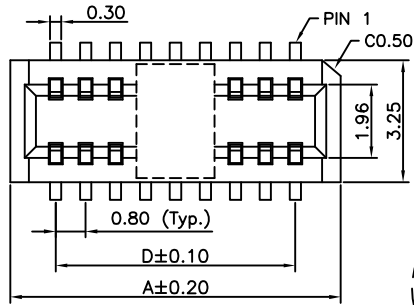
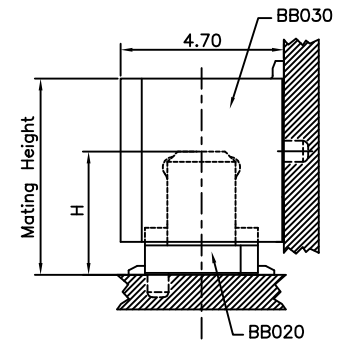
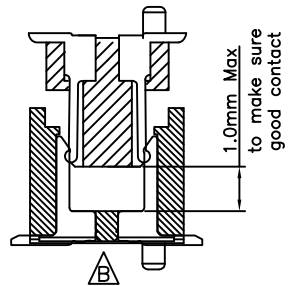
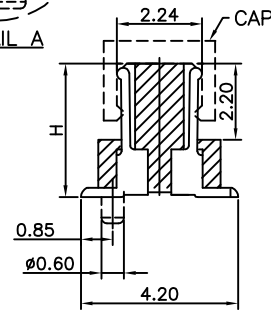
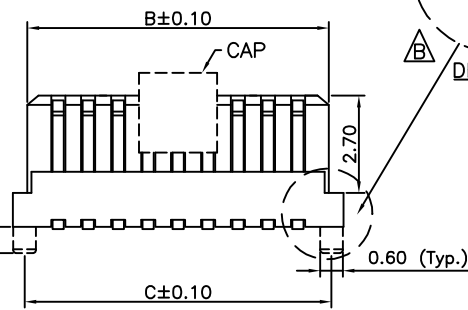


A  
B  
C  
D  
E  
F  
G  
H



RECOMMENDED PCB LAYOUT



Mating Drawings (Ref)

CONTACTS	DIMENSIONS			
	A	B	C	D
10	5.60	4.85	5.00	3.20
12	6.40	5.65	5.80	4.00
14	7.20	6.45	6.60	4.80
16	8.00	7.25	7.40	5.60
18	8.80	8.05	8.20	6.40
20	9.60	8.85	9.00	7.20
22	10.40	9.65	9.80	8.00
24	11.20	10.45	10.60	8.80
26	12.00	11.25	11.40	9.60
28	12.80	12.05	12.20	10.40
30	13.60	12.85	13.00	11.20
32	14.40	13.65	13.80	12.00
34	15.20	14.45	14.60	12.80
36	16.00	15.25	15.40	13.60
38	16.80	16.05	16.20	14.40
40	17.60	16.85	17.00	15.20
50	21.60	20.85	21.00	19.20
60	25.60	24.85	25.00	23.20
68	28.80	28.05	28.20	26.40
70	29.60	28.85	29.00	27.20
80	33.60	32.85	33.00	31.20
90	37.60	36.85	37.00	35.20
100	41.60	40.85	41.00	39.20

Ordering Grid  
**BB020-XX-A-XXX-X-B** REQUEST SAMPLES AND QUOTATION

No. of Contacts  
 10 to 40, 50, 60,  
 68, 70, 80, 90, 100  
 (00 = 100)

Contact Plating  
 A = Gold Flash  
**Standard = Gold Flash**

Insulator Height "H"  
 355 = 3.55mm  
 405 = 4.05mm

Packing Options  
 B = Tape and Reel with Cap

Locating Peg  
 0 = No Peg  
 1 = With Peg

SPECIFICATIONS 规格:

CURRENT RATING 电流额定值: 0.5 AMP AC/DC  
 VOLTAGE RATING 电压额定值: 100V AC/DC  
 INSULATOR RESISTANCE 绝缘电阻值: 100 MΩ MIN. (100V DC)  
 DIELECTRIC WITHSTANDING 耐电压: AC 100 V (1 MIN.)  
 CONTACT RESISTANCE 接触电阻值: 40mΩ Max.  
 OPERATING TEMPERATURE 工作温度: -40°C TO +105°C  
 CONTACT MATERIAL 端子物料: PHOSPHOR BRONZE  
 PLATING 电镀: GOLD FLASH OVER 30 - 50u" NICKEL 底层30 - 50u"镍, 其上镀金箔  
 INSULATOR MATERIAL 绝缘体物料:  
 POLYAMIDE 聚酰胺, NYLON 46, UL 94-V0 HI-TEMP PLASTIC, WHITE  
 SOLDERING PROCESS 可焊性: 260°C FOR 5 - 10 SECONDS  
 DURABILITY 耐久力: 500 MATING CYCLES MIN. 插拔最少500次

MATES WITH 配套之母座:  
 BB025 BB030

By	PN	BL
DETAIL	DRAWING RELEASE	MATING DEPTH VIEW & 'DETAIL A' ADDED
REV DATE	A 20/01/08	B 10/06/09

Mating Height	Mating Plug (Plug Height 'H')	Mating Socket (Socket Height 'H')
4.50mm	BB020-XX-A-355-X-B ('H' = 3.55mm)	BB025-XX-A-365-X-B ('H' = 3.65mm)
5.00mm	BB020-XX-A-355-X-B ('H' = 3.55mm)	BB025-XX-A-415-X-B ('H' = 4.15mm)
5.50mm	BB020-XX-A-405-X-B ('H' = 4.05mm)	BB025-XX-A-415-X-B ('H' = 4.15mm)
5.65mm	BB020-XX-A-355-X-B ('H' = 3.55mm)	BB030-XX-A-X-A ('H' = 4.70mm)
6.00mm	BB020-XX-A-355-X-B ('H' = 3.55mm)	BB025-XX-A-515-X-B ('H' = 5.15mm)
6.15mm	BB020-XX-A-405-X-B ('H' = 4.05mm)	BB030-XX-A-X-A ('H' = 4.70mm)
6.50mm	BB020-XX-A-355-X-B ('H' = 3.55mm)	BB025-XX-A-565-X-B ('H' = 5.65mm)
7.00mm	BB020-XX-A-405-X-B ('H' = 4.05mm)	BB025-XX-A-565-X-B ('H' = 5.65mm)

Tolerances (Except as noted)	Part Number:-	Date:-
Dimensions in mm	BB020	20 JAN 08
X.X ± 0.30	Description:-	
X.X ± 0.20	0.8mm PITCH BOARD TO BOARD PLUG, DUAL ROW, SURFACE MOUNT, VERTICAL	
X.XX ± 0.15	© THIS DRAWING IS CONFIDENTIAL AND MUST NOT BE COPIED OR DISCLOSED WITHOUT WRITTEN CONSENT	
X.XXX ± 0.10	Third Angle Projection	



**Global Connector Technology**  
 www.globalconnectortech.com

Scale NTS	Revision B	Material See Note	Drawn by PN	E & OE	Sheet No. 1/1
-----------	------------	-------------------	-------------	--------	---------------