

CONTACTS	DIMENSIONS		
	A	B	C
3	4.0	6.0	2.0
4	6.0	8.0	4.0
5	8.0	10.0	6.0
6	10.0	12.0	8.0
7	12.0	14.0	10.0
8	14.0	16.0	12.0
9	16.0	18.0	14.0
10	18.0	20.0	16.0
11	20.0	22.0	18.0
12	22.0	24.0	20.0
13	24.0	26.0	22.0
14	26.0	28.0	24.0
15	28.0	30.0	26.0
16	30.0	32.0	28.0
17	32.0	34.0	30.0
18	34.0	36.0	32.0
19	36.0	38.0	34.0
20	38.0	40.0	36.0
21	40.0	42.0	38.0
22	42.0	44.0	40.0
23	44.0	46.0	42.0
24	46.0	48.0	44.0
25	48.0	50.0	46.0
26	50.0	52.0	48.0
27	52.0	54.0	50.0
28	54.0	56.0	52.0
29	56.0	58.0	54.0
30	58.0	60.0	56.0
31	60.0	62.0	58.0
32	62.0	64.0	60.0
33	64.0	66.0	62.0
34	66.0	68.0	64.0
35	68.0	70.0	66.0
36	70.0	72.0	68.0
37	72.0	74.0	70.0
38	74.0	76.0	72.0
39	76.0	78.0	74.0
40	78.0	80.0	76.0

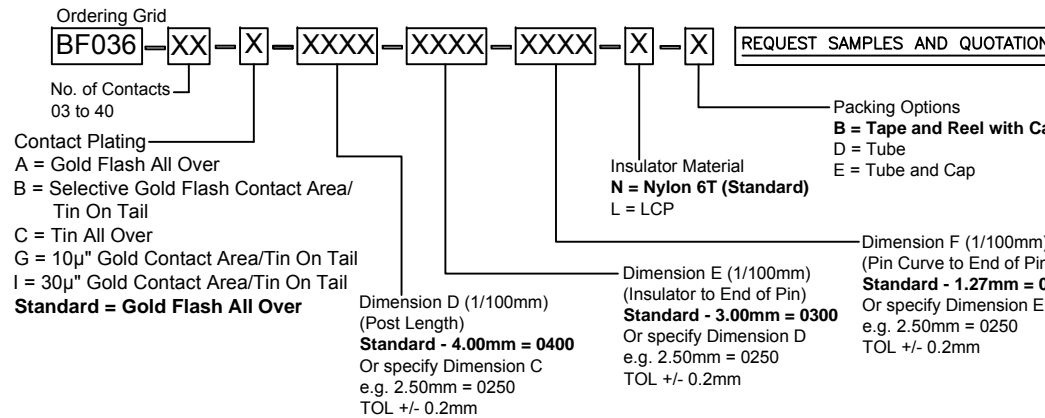
**SPECIFICATIONS 规格**  
 CURRENT RATING 电流额定值: 2.0 AMPERE  
 INSULATION RESISTANCE 绝缘电阻值: 1000M Ω Min.  
 CONTACT RESISTANCE 接触电阻值: 20mΩ Max.  
 DIELECTRIC WITHSTANDING 耐电压: 500V AC  
 OPERATING TEMPERATURE 工作温度:  
 GOLD PLATING: -40°C TO +125°C  
 TIN PLATING: -40°C TO +105°C

**CONTACT MATERIAL 端子物料: COPPER ALLOY**  
**INSULATOR MATERIAL 绝缘体物料:**  
 STANDARD 标准物料: POLYAMIDE 聚酰胺, NYLON 6T, UL 94-V0  
 OPTIONS 可选物料: POLYESTER 聚酯, LCP, UL 94-V0

**SOLDERING PROCESS 可焊性:**  
 NYLON 6T (STANDARD 标准物料) -  
 IR REFLOW 回流焊: 260°C for 10 sec.  
 WAVE 波峰焊: 230°C for 5-10 sec.  
 MANUAL SOLDER 人工焊接: 350°C for 3-5 sec

**LCP (OPTION 可选物料) -**  
 IR REFLOW 回流焊: 260°C for 10 sec.  
 WAVE 波峰焊: 250°C for 5-10 sec.  
 MANUAL SOLDER 人工焊接: 350°C for 3-5 sec

**MATES WITH 配套之母座 (SUBJECT TO PIN LENGTH 在端子长度适合的条件下):**  
 BF070 BF085 BF090 BF091



By	SA	SA
DETAIL	DRAWING RELEASE	OPERATING TEMP UPDATE
REV DATE	A 19/05/10	B 26/08/10



Tolerances (Except as noted)	Part Number:-	Date:-
Dimensions in mm	BF036	19 MAY 10
X. ± 0.30 X.* ± 5.0° X.X ± 0.25 X.* ± 3.0° X.XX ± 0.15 XX.* ± 2.0° X.XXX ± 0.10 XXX.* ± 1.0°	Description:-	
Third Angle Projection	2.0mm PITCH PIN HEADER, SINGLE ROW, SURFACE MOUNT, HORIZONTAL, WITH LOCATING PEG	
	THIS DRAWING IS CONFIDENTIAL AND MUST NOT BE COPIED OR DISCLOSED WITHOUT WRITTEN CONSENT	

<b>GCT</b>				
www.globalconnectortechonology.com				
Scale	Revision	Material	Drawn by	Sheet No.
NTS	B	See Note	SA	E & OE 1/1