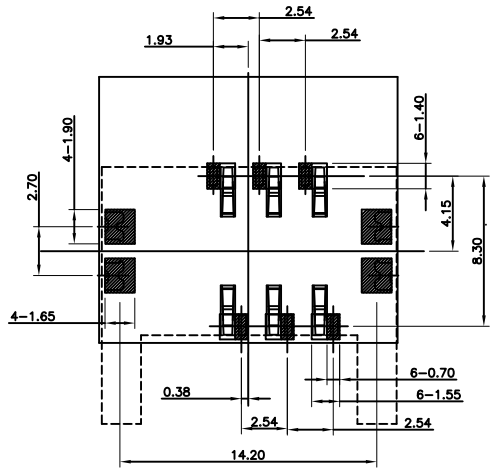
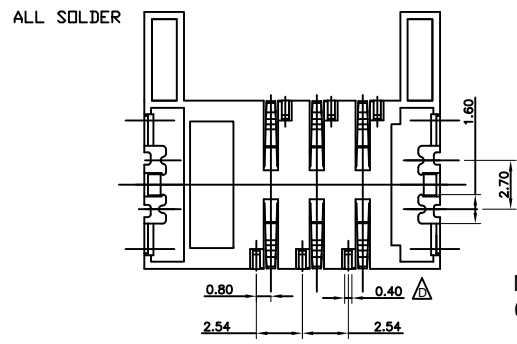
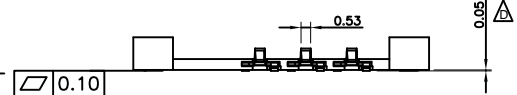
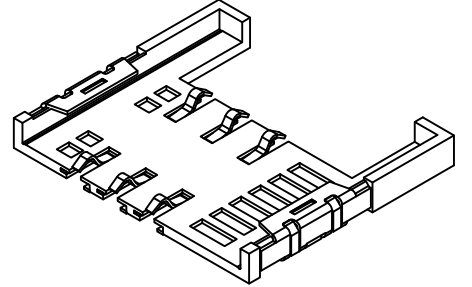


- C1----->VCC
- C2----->RST
- C3----->CLK
- C5----->GND
- C6----->Vpp
- C7----->I/O



RECOMMENDED PCB LAYOUT
GENERAL TOLERANCE ±0.05
AS VIEWED FROM COMPONENT SIDE

- Solder Area
- Component Outline
- Prohibited Area



Ordering Grid
SIM2050 - 6 - 0 - XX - 00 - A

No. of Contacts
6

Packing Options
A = Tape & Reel
(1K per Reel)

00 = Without Post

Profile Height (H)
18 = 1.8mm (Standard)
20 = 2.0mm

0 = Without Switch

Specifications 规格:

Material 物料规格:

Plastic Housing 塑胶外壳: LCP(MG350) UL94V-0, Black LCP(MG350) 高温塑胶, 黑色
Contact Terminal 接触端子: Phosphor Bronze (C5210-H,T=0.15±0.01mm) 磷青铜
Metallic Shell 金属外壳: Stainless Steel (SUS 301 1/2H, T=0.20±0.01mm) 不锈钢

Plating 电镀规格:

Contact Terminal plating 接触端子部分电镀:
Under-plating 底层电镀: 60u" Min. Nickel over all 全部镀镍最少60u"
Contact Area 接触部分: 15u" Gold 镀金15u"
Soldering Area 焊接部分: Gold Flash 镀金箔
Metallic Shell plating 金属外壳电镀:
Under-plating 底层电镀: 60u" Min. Nickel all over 全部镀镍最少60u"
Soldering Area 焊接部分: 100u" Min. Tin plating all over 全部镀锡最少100u"

Electrical 电气规格:

Voltage Rating 电压额定值: 30V AC (R.M.S.) Max.
Current Rating 电流额定值: 0.5A Max.
Operating Temperature 工作温度: -40°C to +85°C
Contact Resistance 接触电阻值: 20mΩ Max.
Insulating Resistance 绝缘电阻值: 1000MΩ Min. (Apply施加500VDC)
Dielectric Withstanding Voltage 耐电压: Current Leakage 漏电流: 0.5mA Max. (Apply200VAC 1 minute 施加200VAC共1分钟)

Mechanical 机械性规格:

Durability 耐久性: 5,000 cycles 5,000 次插拔
Contact Normal Force 垂直接触力: 0.45N
Contact Retention Force 接触保持力: 1.5N Min.

By	PKN	PKN	ASE	SA
DETAIL	DRAWING RELEASE	ECN080214A	ECN080320B	DIMENSION CHANGES
REV	A	B	C	D
DATE	28/02/07	01/03/08	18/03/08	02/11/09

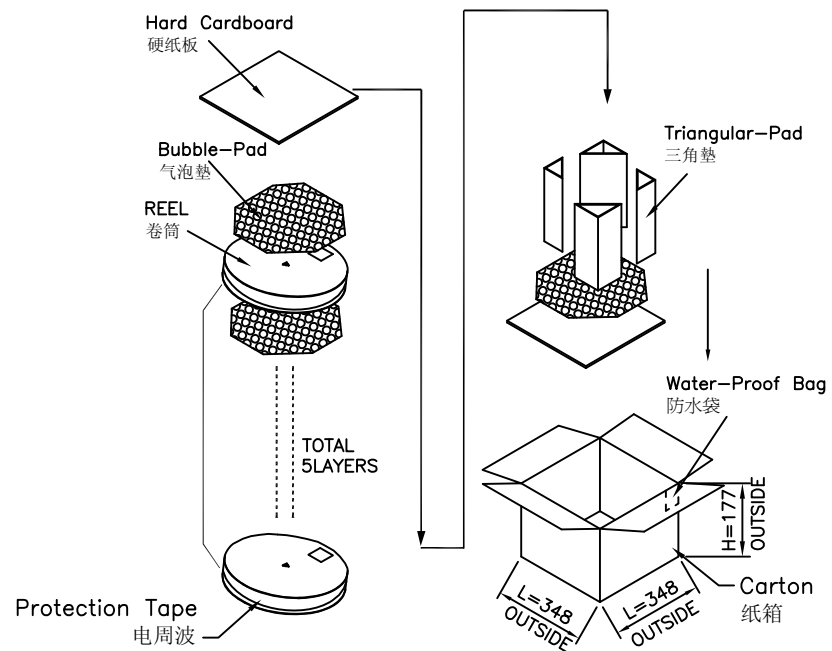
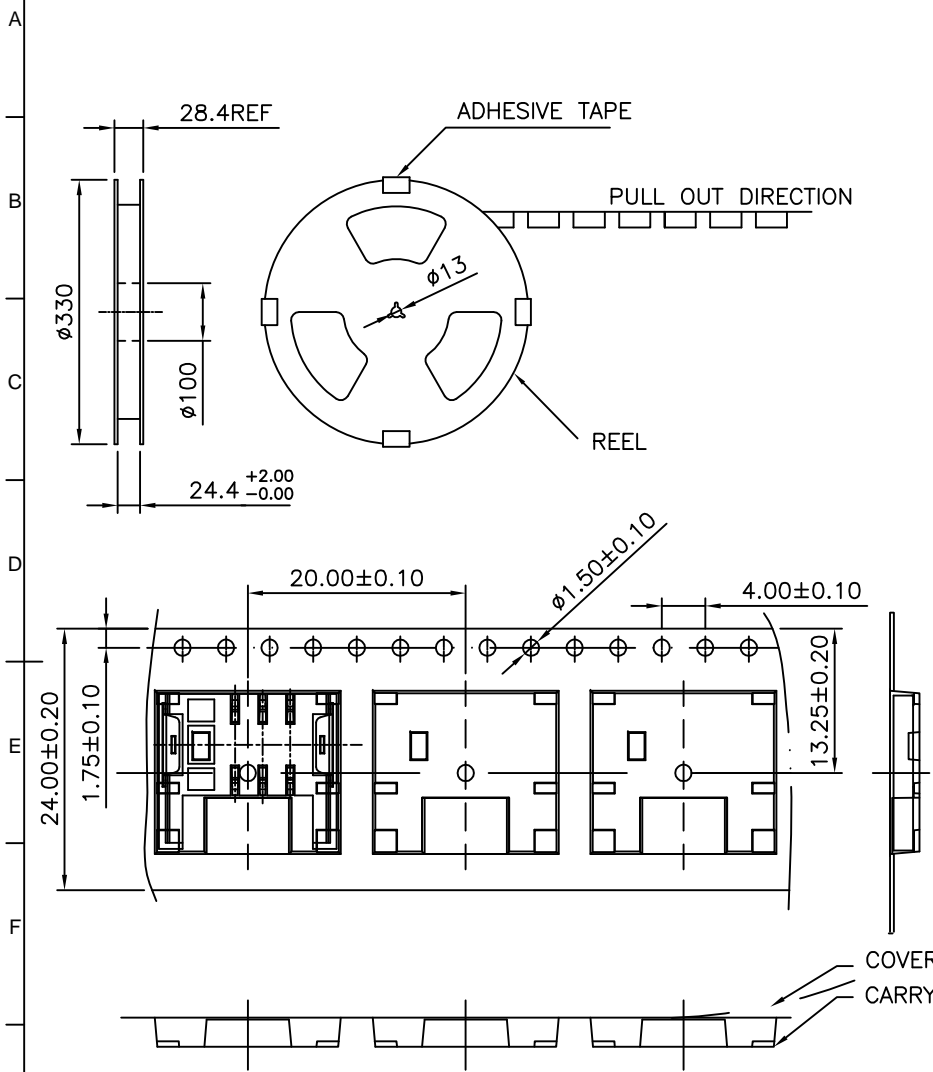


Tolerances (Except as noted)	Part Number:-	Date:-
Dimensions in mm	SIM2050	28 FEB 07
X.X ± 0.20	X.° ± 1°	
X.XX ± 0.15	X.X° ± 0.5°	
X.XXX ± 0.05	X.XX° ± 0.25°	
	Description:-	
	SIM CARD CONNECTOR, RECEIVER TYPE, 6 PIN, SMT, PROFILE OPTIONS: 1.8/2.0mm	
	THIS DRAWING IS CONFIDENTIAL AND MUST NOT BE COPIED OR DISCLOSED WITHOUT WRITTEN CONSENT	

GCT

www.globalconnectortechology.com

Scale	Revision	Material	Drawn by	Sheet No.
NTS	D	See Note	PKN	E & OE 1/2



Notes:注意:

- The 1st & Last 200-300mm at the leading & tail of the CARRY TAPE will not be used. CARRY TAPE 前部分与尾部分各留出200-300mm长度不装产品
- Each cavity will hold 1pc. Placement methods are shown in the diagrams. 每穴放置1pc产品, 放置方式如图所示
- After the packing machine filled the REEL, tangle the REEL one more loop with protection tape, stick adhesive tape on the four quadrants of the REEL, to avoid out-spreading. Stick 1pc. of label on each REEL. 包装机包好后, 再缠上一圈电周波, 在REEL的四个登峰造极点贴上胶带, 以防止REEL张开, 每REEL贴1PC标签
- Method of Packing is Hot-Melting. 包装方式是热熔式
- Firstly put a water-proof bag at the bottom of the carton box, then place 1pc. of hard cardboard on top, following with 1pc. of bubble-pad, and at the four corners, place the triangular pads, then place those filled REEL into the center of the carton box. Between the REEL, place 1pc. of bubble-pad as the separator, until 5pc. of REEL are filled in the box. Then place 1pc of bubble-pad & 1pc. of hard cardboard on top, close the carton by plastic tape lastly. 先在纸箱底部套上一防水袋, 再垫上1pc硬纸板后再垫上1pc气泡垫, 四角垫上三角垫, 度然后把装好产品的 REEL 放进纸箱中, 每REEL之间隔1pc气泡垫, 依次把5 REEL 产品放到纸箱中, 上面再垫上各1pc气泡垫及硬纸板, 最后用胶带封箱.
- The peel-off force between the COVER TAPE & CARRY TAPE is: 0.1N-0.7N (variation within 0.3N). Peel-off angle: 165-175 degree; Speed of peel-off: 250mm-300mm/min. COVER TAPE 与CARRY TAPE 剥离力: 0.1N-0.7N (跳动量在0.3N以内) 剥离角度: 165-175度; 剥离速度: 250mm-300mm/分钟

By	PKN	PKN	ASE
DETAIL	DRAWING RELEASE	ECN080214A	ECN080320B
REV	A	B	C
DATE	28/02/07	01/03/08	18/03/08



Tolerances (Except as noted)	Part Number:-	Date:-
Dimensions in mm	SIM2050	28 FEB 07
	Description:-	
	SIM CARD CONNECTOR, RECEIVER TYPE, 6 PIN, SMT, PROFILE OPTIONS: 1.8/2.0mm	
Third Angle Projection	© THIS DRAWING IS CONFIDENTIAL AND MUST NOT BE COPIED OR DISCLOSED WITHOUT WRITTEN CONSENT	

<h1>GCT</h1>				
www.globalconnectortechology.com				
Scale	Revision	Material	Drawn by	Sheet No.
NTS	C	See Note	PKN	E & OE 2/2