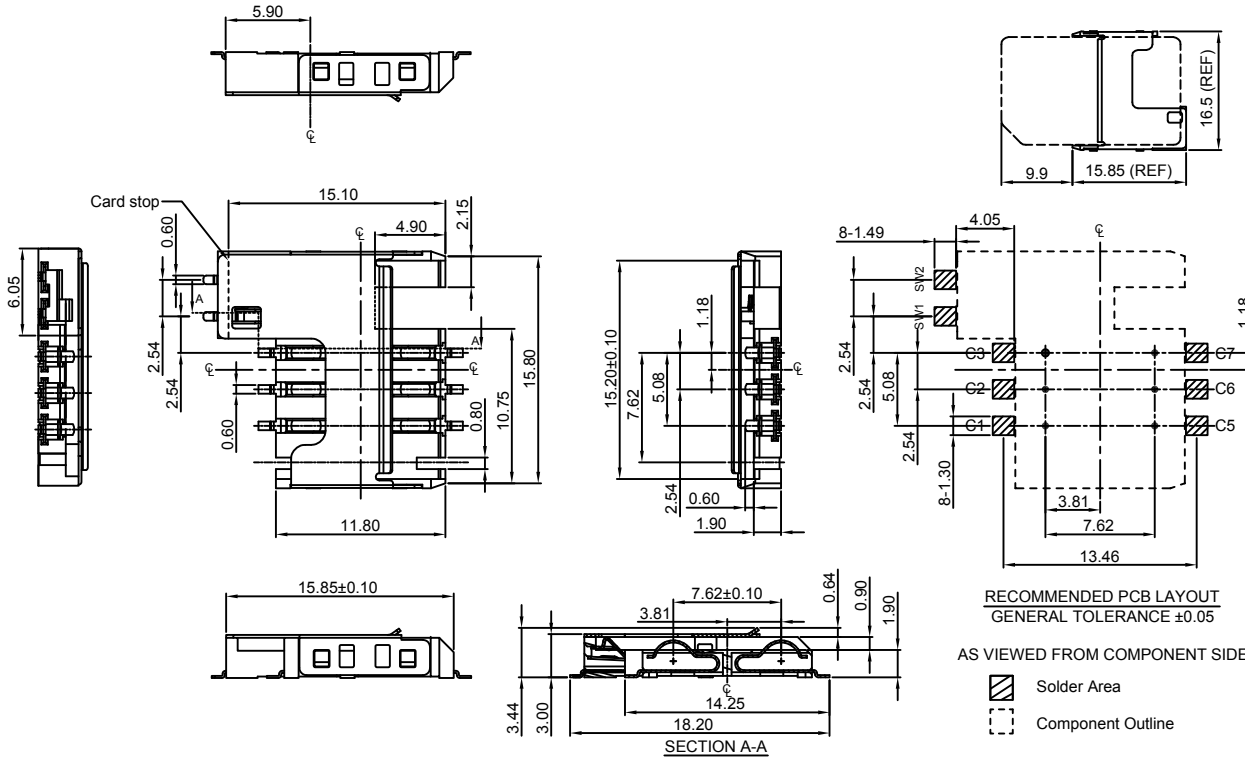


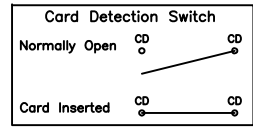
Global Connector Technology Ltd. - SIM2070 : SIM Card Connector, Receiver Type, 6 Pin, SMT, 3.44mm Profile, with Card Detection Switch



RECOMMENDED PCB LAYOUT
GENERAL TOLERANCE ±0.05
AS VIEWED FROM COMPONENT SIDE

- Solder Area
- Component Outline

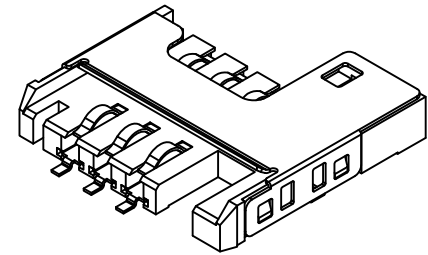
- C1----->VCC
- C2----->RST
- C3----->CLK
- C5----->GND
- C6----->Vpp
- C7----->/O



Ordering Grid
SIM2070 - 6 - 1 - 30 - 00 - A

No. of Contacts: 6
Packing Options: A = Tape & Reel (700 Pcs per Reel)
00 = Without Post
1 = With Switch

REQUEST SAMPLES AND QUOTATION



Specifications 规格:

Material 物料规格:
Plastic Housing 塑胶外壳: Hi-Temp Thermoplastic UL94V-0, Black 高温塑胶, 黑色
Contact and Switch Terminals 接触端子: Phosphor Bronze 磷青铜
Metallic Shell 金属外壳: Stainless Steel 不锈钢

Plating 电镀规格:

Contact Terminal Plating 接触端子部分电镀:
Under-Plating 底层电镀: 50µm Nickel 镀镍
Contact Area 接触部分: 5µm Gold 5µm 镀金
Soldering Area 焊接部分: Gold Flash 镀闪金

Electrical 电气规格:

Voltage Rating 电压额定值: 50V Max.
Current Rating 电流额定值: 1A Max. 10µ A Min.
Operating Temperature 工作温度: -40°C to +85°C
Contact Resistance 接触电阻值: 50mΩ Max.
Insulating Resistance 绝缘电阻值: >1000MΩ/500VDC
Dielectric Withstanding Voltage 耐压: Withstand 500 VAC for 1 minute 能承受 500 VAC 1分钟

Mechanical 机械性规格:

Durability 耐久性: 5,000 cycles 5,000 次插拔

By	CM
DETAIL	DRAWING RELEASE
REV	A
DATE	05/12/11

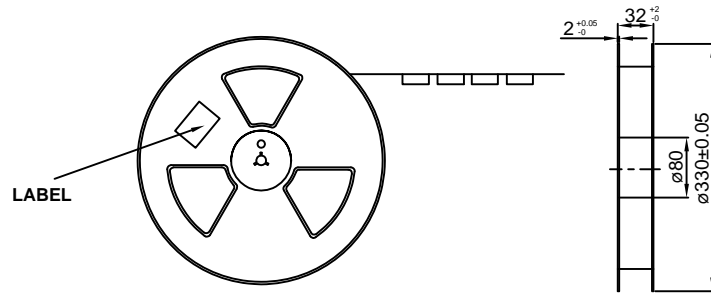


Tolerances (Except as noted)	Part Number:-	Date:-
Dimensions in mm	SIM2070	05 DEC 11
X.XX ± 0.25 X.X' ± 1"	Description:-	
X.XX ± 0.15 X.X' ± 0.5"	SIM CONNECTOR, RECEIVER TYPE, 6 PIN SMT, 3.44mm PROFILE, WITH DETECTION SWITCH	
X.XXX ± 0.050 X.XX" ± 0.25"	THIS DRAWING IS CONFIDENTIAL AND MUST NOT BE COPIED OR DISCLOSED WITHOUT WRITTEN CONSENT	
Third Angle Projection	Scale NTS	Revision A

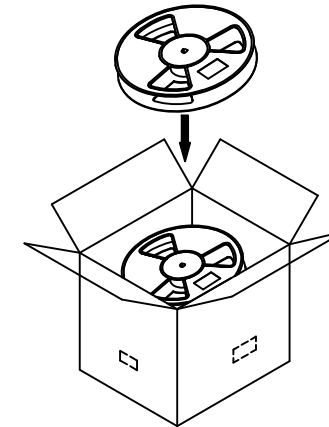
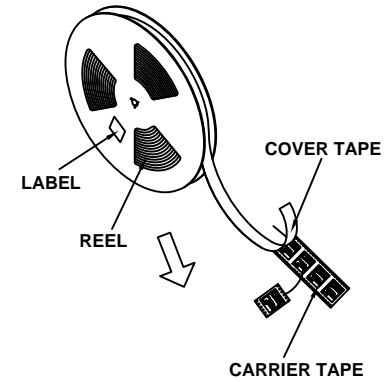
GCT

www.globalconnectortech.com

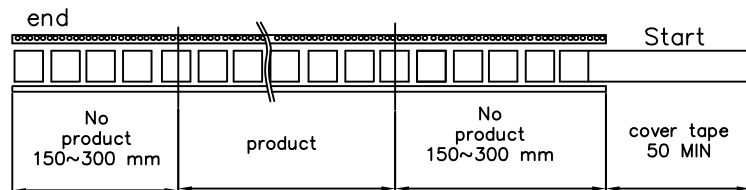
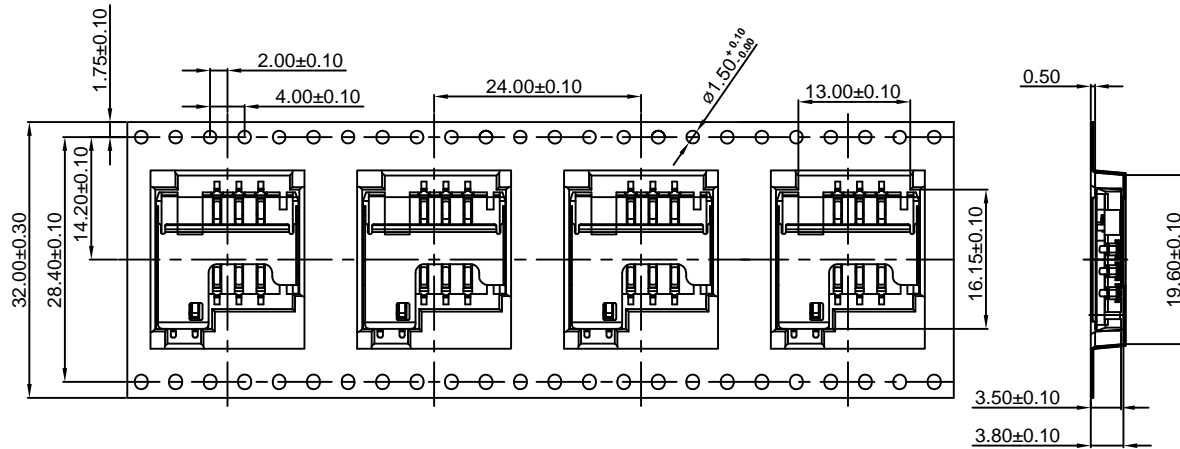
Material See Note	Drawn by CM	E & OE	Sheet No. 1/2
-------------------	-------------	--------	---------------



Gross Weight: 1.00KGS
Q'ty: 700 Pcs per Reel



Gross Weight: 8.00KGS
Q'ty: 5600 Pcs per carton (8 Reels set in order)
Meas: 35.00Lx35.00Wx31.50H cm



By	CM
DETAIL	DRAWING RELEASE
REV DATE	A 05/12/11



Tolerances (Except as noted) Dimensions in mm	Part Number:- SIM2070	Date:- 05 DEC 11
	Description:- SIM CONNECTOR, RECEIVER TYPE, 6 PIN SMT, 3.44mm PROFILE, WITH DETECTION SWITCH	
Third Angle Projection	© THIS DRAWING IS CONFIDENTIAL AND MUST NOT BE COPIED OR DISCLOSED WITHOUT WRITTEN CONSENT	

<h1>GCT</h1>				
www.globalconnectortechology.com				
Scale NTS	Revision A	Material See Note	Drawn by CM	Sheet No. 2/2