

Specifications 规格:

Materials & Plating 物料与电镀:
 Plastic Housing 塑胶外壳: High Temp. Thermoplastic with 30% Glass Fiber, UL94V-0, Black 高温塑胶(含30%玻璃纤维), 黑色
 Contact Terminal 接触端子: Phosphor Bronze, T=0.25mm 磷青铜
 Metallic Shell 金属外壳: Stainless Steel, T=0.4±0.01mm 不锈钢

Plating 电镀规格:

Contact Terminal plating 接触端子部分电镀:
 Underplating 底层电镀: Nickel all over 全部镀镍
 Contact Area 接触部分: 15µ" Gold 镀金15µ"
 Solder Tails 焊接末端: Tin 镀锡
 Metallic Shell plating 金属外壳电镀: Copper Alloy 外壳物料: 铜合金
 Underplating 底层电镀: Nickel all over 全部镀镍
 Solder Tails 焊接末端: Matte Tin 镀雾锡

Electrical 电气规格:

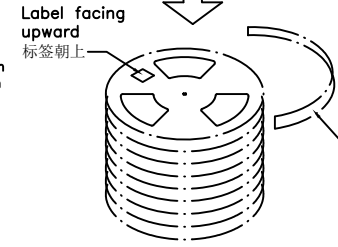
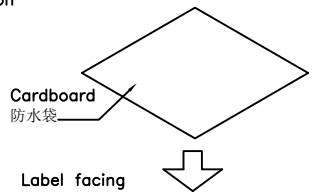
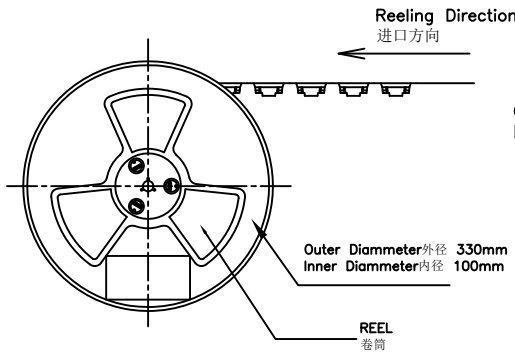
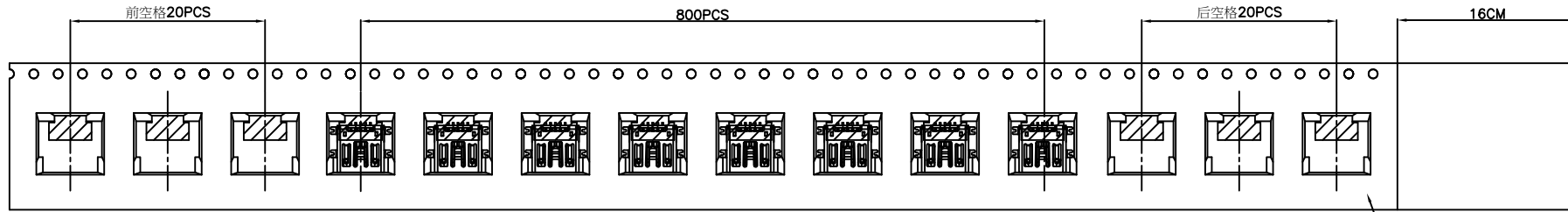
Voltage Rating 电压额定值: 30VDC
 Current Rating 电流额定值: 1A
 Operating Temperature 工作温度: 0°C to +50°C
 Contact Resistance 接触电阻值: 50mΩ Max.
 Insulation Resistance 绝缘电阻值: 100MΩ Min
 Dielectric Withstanding Voltage 耐电压: No Discharge or Flash 没有放电或火花 (100VAC for 1 minute 施加100VAC一分钟)

Mechanical 机械性规格:

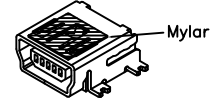
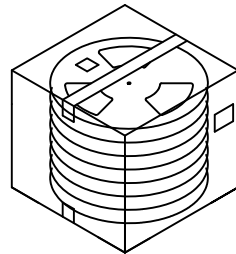
Mating Force 插入力: 35N (3.57Kgf) Max.
 Unmating Force 拨出力: 7N (0.71Kgf) Min.
 Contact Retention Force 接触保持力: 4N Min.
 Durability 耐久性: 5,000 Cycles 5000次插拔

By	LYH	ASE	SA	ASE
DETAIL	DRAWING RELEASE	ECN080402B	PACK QTY UPDATE	MYLAR DETAIL ADDED WITH NOTE
REV DATE	A 11/07/07	B 02/04/08	C 28/06/10	D 26/09/11

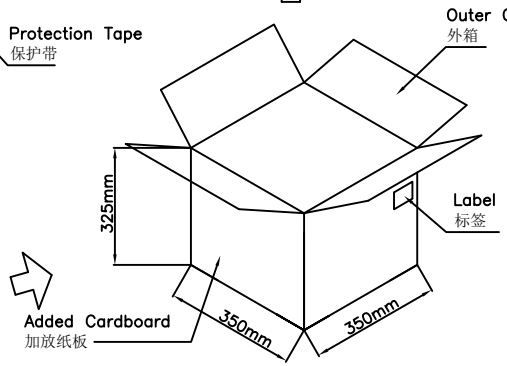
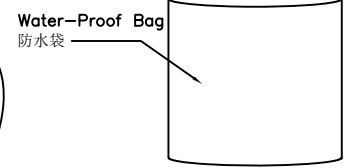
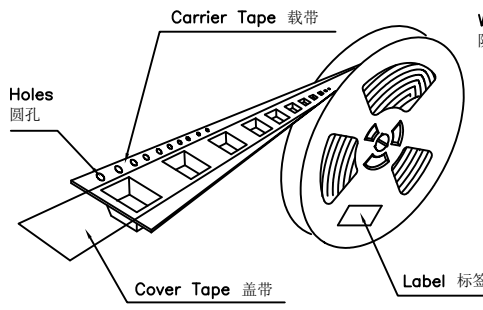
	Tolerances (Except as noted)	Part Number:-	Date:-	
	Dimensions in mm	USB2065	11 JUL 07	
	X.X ± 0.35 X.XX ± 0.25 X.XXX ± 0.150	X.° ± 1° X.X° ± 0.5° X.XX° ± 0.25°	Description:-	
MINI USB RECEPTACLE, TYPE B, 5 PIN, SMT, HORIZONTAL, WITH POST		THIS DRAWING IS CONFIDENTIAL AND MUST NOT BE COPIED OR DISCLOSED WITHOUT WRITTEN CONSENT		Scale NTS Revision D Material See Note Drawn by LYH E & OE
Third Angle Projection		©		Sheet No. 1/2



Protection Tape
保护带



Mylar



Notes 注意:

1. Part Conforms to EIA-481-C Standards 产品符合EIA-481-C标准
2. All dimensions in millimeters [inches] 所有尺寸均是毫米[英寸]
3. 10 sprocket hole pitch cumulative tolerance $\pm 0.2\text{mm}$
4. Carrier camber is within 1mm in 100mm 装料带弧:每100mm少于1mm
5. Material: BLACK Polystyrene. 材料:黑色:聚苯乙烯
6. Packing Length Per 22" Reel: 36Meters 每22"卷筒包装长度:36米
7. Component Load Per 13" Reel: 800Pcs 每13"卷筒承载零件:800件

Packing Rules 封装规则:

1. Place a hard cardboard at the bottom of outer carton 外箱底部加纸板
2. All the labels on REEL should be face-up
Reel 标签一律朝上
3. Place 10 filled REEL into the water-proof bag
把10卷装好的产品平放防水袋
4. Place a hard cardboard on top 上加放纸板
5. Stick label on the outer carton
标签贴放箱外

By	LYH	ASE	SA	ASE
DETAIL	DRAWING RELEASE	ECN080402B	PACK QTY UPDATE	MYLAR DETAIL ADDED WITH NOTE
REV DATE	A 11/07/07	B 02/04/08	C 28/06/10	D 26/09/11



Tolerances (Except as noted)		Part Number:-	Date:-
Dimensions in mm		USB2065	11 JUL 07
X.X ± 0.35	X.X° $\pm 1^\circ$	Description:- MINI USB RECEPTACLE, TYPE B, 5 PIN, SMT, HORIZONTAL, WITH POST	
X.XX ± 0.25	X.X° $\pm 0.5^\circ$		
X.XXX ± 0.150	X.XX° $\pm 0.25^\circ$		
Third Angle Projection		© THIS DRAWING IS CONFIDENTIAL AND MUST NOT BE COPIED OR DISCLOSED WITHOUT WRITTEN CONSENT	

GCT

www.globalconnectortechology.com

Scale	Revision	Material	Drawn by	Sheet No.
NTS	D	See Note	LYH	E & OE 2/2