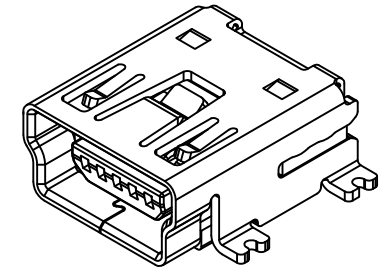
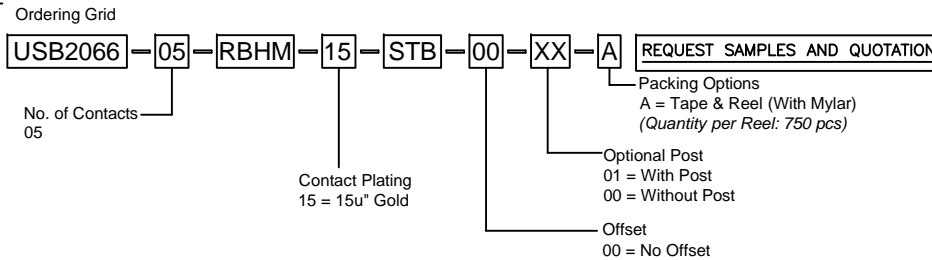
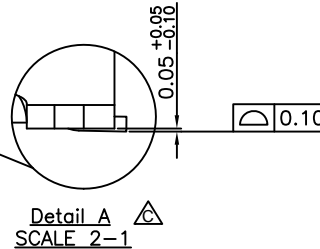
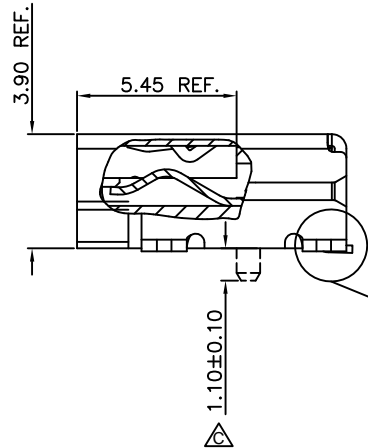


**RECOMMENDED P.C.B LAYOUT**  
 GENERAL TOLERANCE: ±0.05  
 AS VIEWED FROM COMPONENT SIDE  
 Solder Area  
 Component Outline



**Specifications 规格:**

**Materials 物料:**  
 Plastic Housing 塑胶外壳: LCP UL94V-0, Black △  
 LCP UL94V-0, 黑色  
 Contact Terminal 接触端子: Phosphor Bronze, T=0.25mm 磷青铜  
 Metallic Shell 金属外壳: Brass, T=0.4mm 黄铜 △

**Plating 电镀规格:**

**Contact Terminal plating 接触端子部分电镀:**  
 Underplating 底层电镀: Nickel all over 全部镀镍  
 Contact Area 接触部分: 15µ" Gold 镀金15µ"  
 Solder Tails 焊接末端: Bright Tin 亮锡 △  
**Metallic Shell plating 金属外壳电镀: Matte Tin 50µ" all over 整体镀雾锡50µ" △**  
 Underplating 底层电镀: Nickel 50µ" all over 整体镀镍50µ" △

**Electrical 电气规格:**

**Voltage Rating 电压额定值:** 30VDC  
**Current Rating 电流额定值:** 1A  
**Operating Temperature 工作温度:** -50°C to +85°C △ △  
**Contact Resistance 接触电阻值:** 50mΩ Max.  
**Insulation Resistance 绝缘电阻值:** 100MΩ Min  
**Dielectric Withstanding Voltage 耐电压:** No Discharge or Flash 没有放电或火花  
 (100VAC for 1 minute 施加100VAC一分钟)

**Mechanical 机械性规格:**

**Mating Force 插入力:** 35N (3.57Kgf) Max.  
**Unmating Force 拔出力:** 7N (0.71Kgf) Min. - 1st mating cycle △  
 3N (0.31Kgf) Min. - 5001st mating cycle △  
**Durability 耐久性:** 5,000 Cycles 5000次插拔

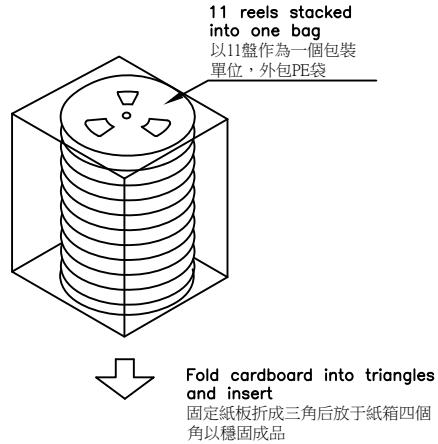
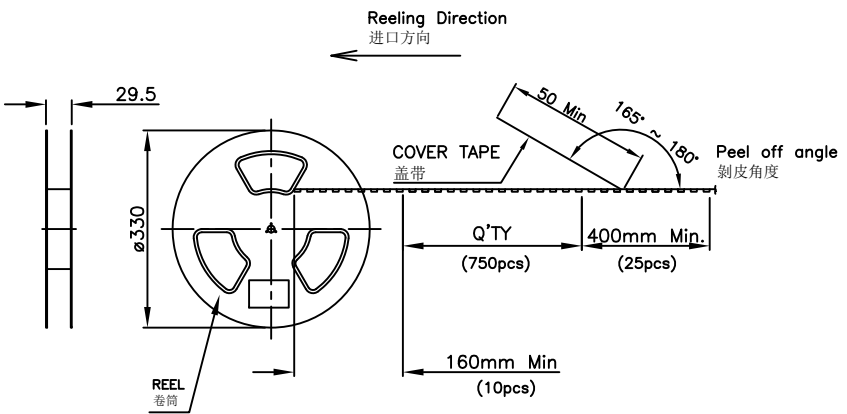
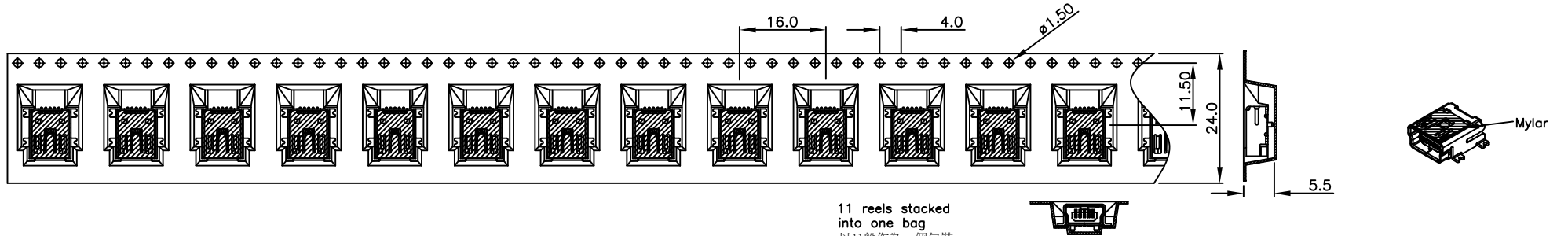
|        |                 |                            |               |                |
|--------|-----------------|----------------------------|---------------|----------------|
| By     | PN              | PN                         | SA            | ASE            |
| DETAIL | DRAWING RELEASE | AMENDED TO 'OPTIONAL POST' | PCN20101004-1 | PCNUSB2066-001 |
| REV    | A               | B                          | C             | D              |
| DATE   | 04/06/09        | 16/06/09                   | 04/11/10      | 07/11/11       |



|                              |  |  |
|------------------------------|--|--|
| Tolerances (Except as noted) | Part Number:-  | Date:-   |
| Dimensions in mm             | USB2066  | 04 JUN 09  |
| X.X ± 0.35                   | X.X° ± 1°  | Description:-<br>MINI USB RECEPTACLE, TYPE B, 5 PIN, SMT, HORIZONTAL<br>OPTIONAL POST, 9.40mm LENGTH |
| X.XX ± 0.25                  | X.X° ± 0.5°  |  |
| X.XXX ± 0.150                | X.XX° ± 0.25°  |  |
| Third Angle Projection       | THIS DRAWING IS CONFIDENTIAL AND MUST NOT BE COPIED OR DISCLOSED WITHOUT WRITTEN CONSENT |  |

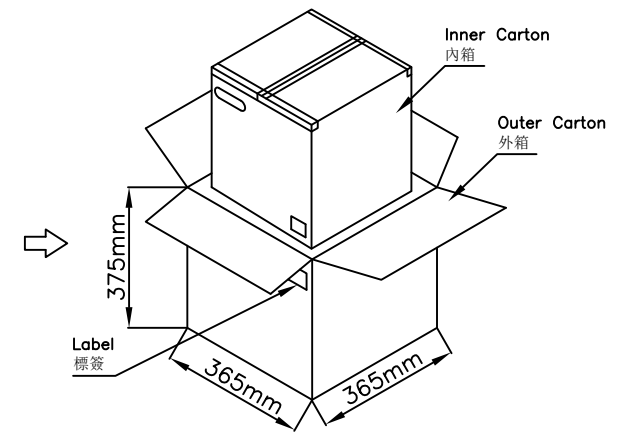
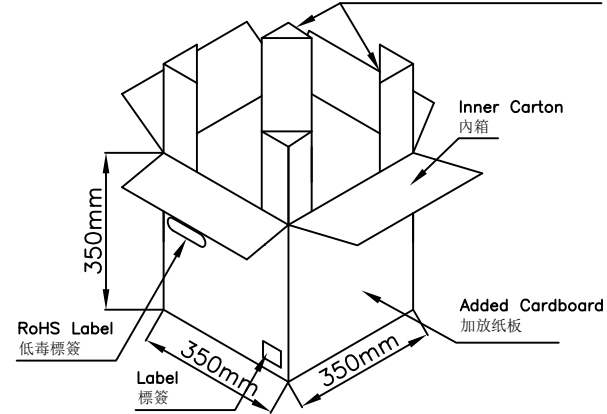
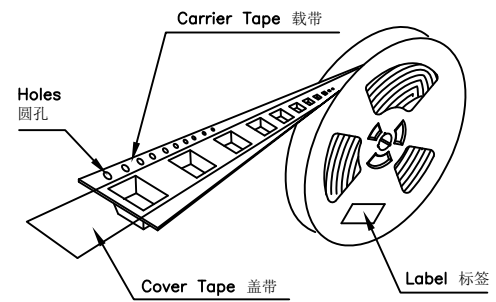
|            |  |            |  |                   |  |              |  |                      |  |
|------------|--|------------|--|-------------------|--|--------------|--|----------------------|--|
| Scale NTS  |  | Revision D |  | Material See Note |  | Drawn by LYH |  | Sheet No. E & OE 1/2 |  |
|            |  |            |  |                   |  |              |  |                      |  |
| <b>GCT</b> |  |            |  |                   |  |              |  |                      |  |

Global Connector Technology Ltd. - USB2066: Mini USB Receptacle, Type B, 5 Pin, SMT, Horizontal, Optional Post, 9.40mm Length



- Notes/注意:
- All dimensions in millimeters 所有尺寸均是毫米
  - Carrier Tape: 24 (w) x 12.6meters 承载带: 24mm 宽:12600mm
  - Component Load Per 13"Reel:750Pcs 每13"卷筒承载零件:750件

- Packing Rules/封裝規則:
- All the labels on REEL should be face-up Reel標籤一律朝上
  - Place 11 filled REEL into the bag 以11盤作為一個包裝單位, 外包PE袋
  - Fold cardboard into triangles and insert 固定紙板折成三角后放于紙箱四個角以穩固成品
  - Insert inner box into outer box 將內箱裝入外箱
  - Stick label on the outer carton 標籤貼放箱外



|          |                 |                            |               |                |
|----------|-----------------|----------------------------|---------------|----------------|
| By       | PN              | PN                         | SA            | ASE            |
| DETAIL   | DRAWING RELEASE | AMENDED TO 'OPTIONAL POST' | PCN20101004-1 | PCNUSB2066-001 |
| REV DATE | A 04/06/09      | B 16/06/09                 | C 04/11/10    | D 07/11/11     |



|                              |  |           |
|------------------------------|--|-----------|
| Tolerances (Except as noted) | Part Number:-  | Date:-    |
| Dimensions in mm             | USB2066  | 04 JUN 09 |
|                              | Description:-  |           |
|                              | MINI USB RECEPTACLE, TYPE B, 5 PIN, SMT, HORIZONTAL OPTIONAL POST, 9.40mm LENGTH         |           |
| Third Angle Projection       | THIS DRAWING IS CONFIDENTIAL AND MUST NOT BE COPIED OR DISCLOSED WITHOUT WRITTEN CONSENT |           |

**GCT**

www.globalconnectortechology.com

|           |            |                   |              |                      |
|-----------|------------|-------------------|--------------|----------------------|
| Scale NTS | Revision D | Material See Note | Drawn by LYH | Sheet No. E & OE 2/2 |
|-----------|------------|-------------------|--------------|----------------------|