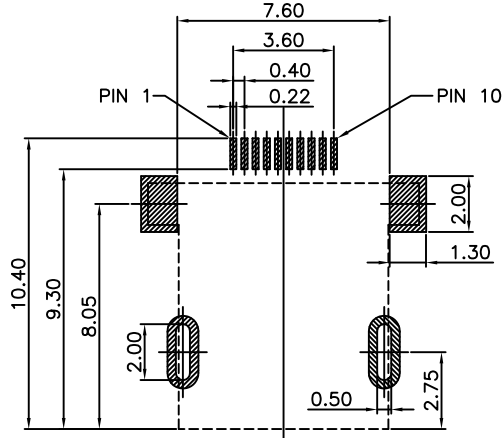
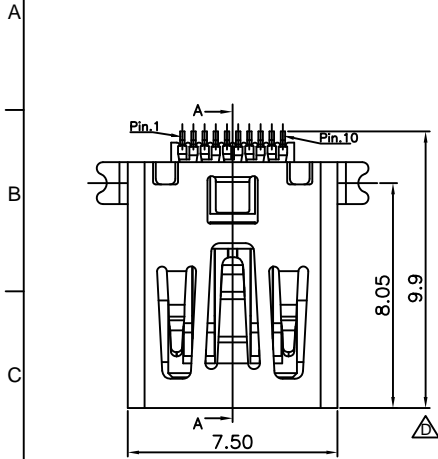
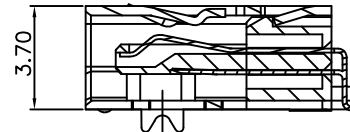
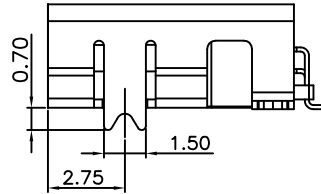
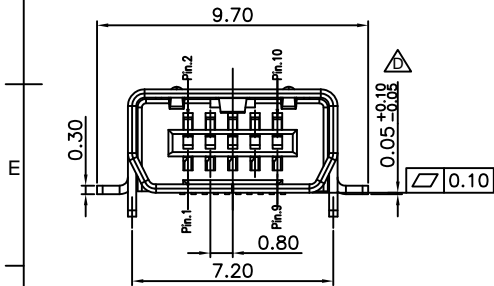
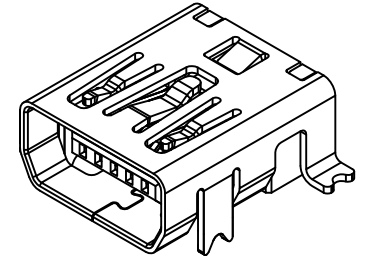


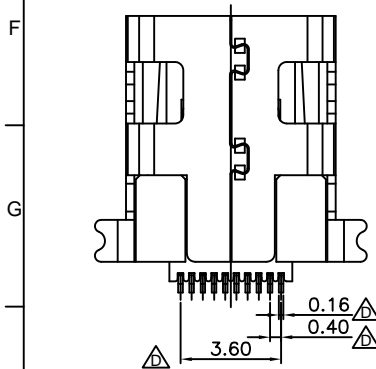
Global Connector Technology Ltd. - USB2070: Mini USB Receptacle, Type A/B, 10 Pin, SMT, Horizontal



**RECOMMENDED P.C.B. LAYOUT**  
 GENERAL TOLERANCE: ±0.05  
 AS VIEWED FROM COMPONENT SIDE



SECTION A-A



Ordering Grid

USB2070 - 10 - RCHM - 15 - STB - 00 - 00 - A REQUEST SAMPLES AND QUOTATION

No. of Contacts  
10

Contact Plating  
15 = 15u" Gold

Packing Options  
A = Tape & Reel (With Mylar)  
(Quantity per Reel: 800pcs)

00 = Without Post  
Offset  
00 = No Offset

Specifications 规格:

Materials 物料规格:

Plastic Housing 塑胶外壳: LCP UL94V-0 Black   
 LCP UL94V-0, 黑色  
 Contact Terminal 接触端子: Phosphor Bronze 磷青铜  
 Metallic Shell 金属外壳: Brass 黄铜

Plating 电镀规格:

Contact Terminal plating 接触端子部分电镀:  
 Underplating 底层电镀: Nickel all over 全部镀镍  
 Contact Area 接触部分: 15u" Gold 镀金15u"  
 Solder Tails 焊接末端: Tin 50u" 镀锡50u"   
 Metallic Shell plating 金属外壳电镀:  
 Underplating 底层电镀: 50u" Min. Nickel all over 全部镀镍最少50u"  
 Finish 表面处理: Matte Tin 50u" all over 整体镀雾锡50u"

Electrical 电气规格:

Voltage Rating 电压额定值: 30VDC  
 Current Rating 电流额定值: 1A  
 Operating Temperature 工作温度: -50°C to +85°C   
 Contact Resistance 接触电阻值: 50mW Max.  
 Insulation Resistance 绝缘电阻值: 100MW Min (Apply施加100VDC)  
 Dielectric Withstanding Voltage 耐电压: No Discharge or Flash没有放电或火花  
 (100VAC is applied for 1 min. 施加100VAC共一分钟)

Mechanical 机械性规格:

Mating Force 插入力: 35N (3.57Kgf) Max.  
 Unmating Force 拔出力: 7N (0.71Kgf) Min. - 1st mating cycle   
 Unmating Force 拔出力: 3N (0.31Kgf) Min. - 5001st mating cycle   
 Durability 耐久性: 5,000 Cycles 5,000次插拔

By	LYH	ASE	ASE	SA	ASE
DETAIL	DRAWING RELEASE	ECN080331A	ECN080922A	PCN20101004-2	PCNUSB2070-001
REV	A	B	C	D	E
DATE	13/03/08	31/03/08	22/09/08	04/11/10	07/12/11



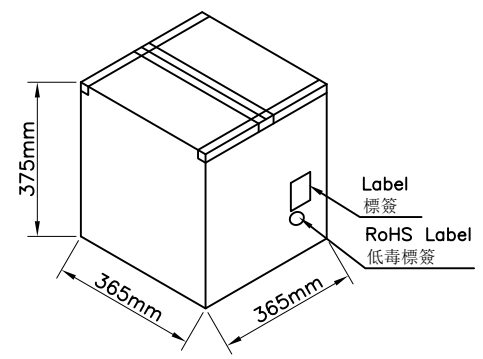
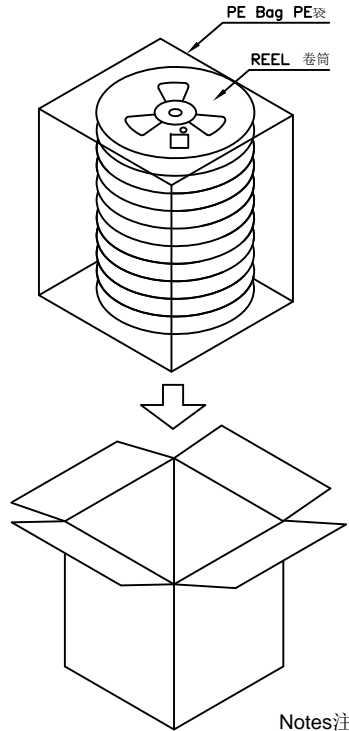
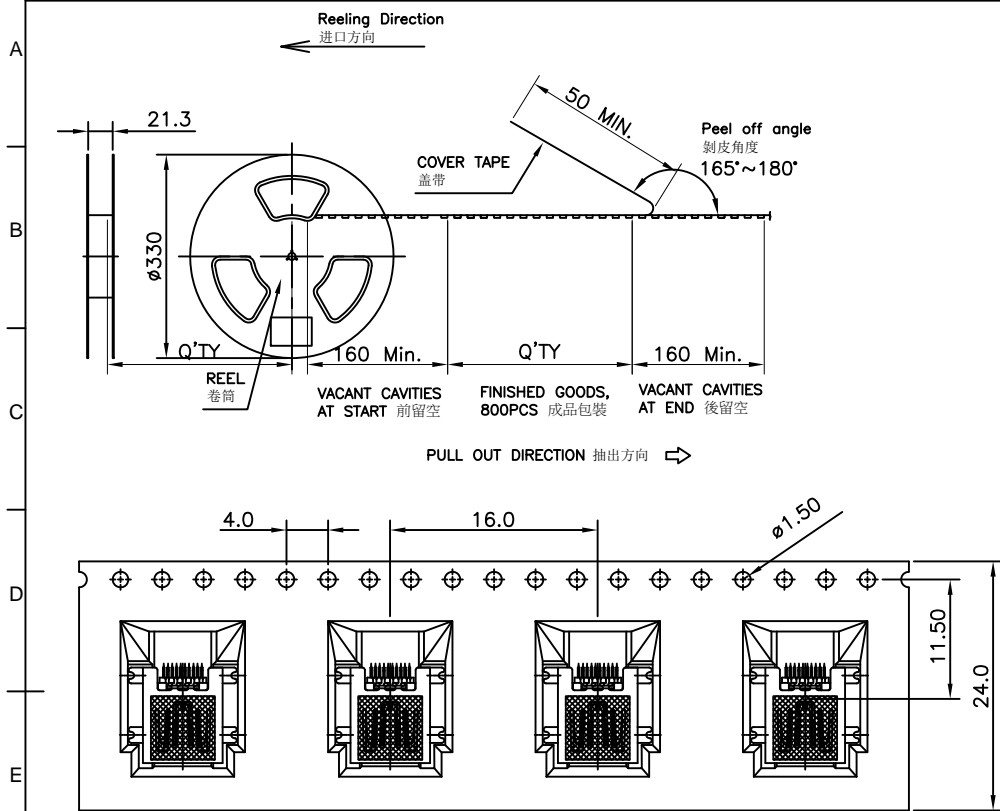
Tolerances (Except as noted)	Part Number:-	Date:-
Dimensions in mm	USB2070	13 MAR 08
X.X ± 0.35 X.XX ± 0.25 X.XXX ± 0.150	X.° ± 1° X.X° ± 0.5° X.XX° ± 0.25°	Description:-
	MINI USB RECEPTACLE, TYPE A/B, 10 PIN, SMT, HORIZONTAL	
Third Angle Projection	THIS DRAWING IS CONFIDENTIAL AND MUST NOT BE COPIED OR DISCLOSED WITHOUT WRITTEN CONSENT	

**GCT**

www.globalconnectortechology.com

Scale	Revision	Material	Drawn by	Sheet No.
NTS	E	See Note	LYH	E & OE 1/2

Global Connector Technology Ltd. - USB2070: Mini USB Receptacle, Type A/B, 10 Pin, SMT, Horizontal

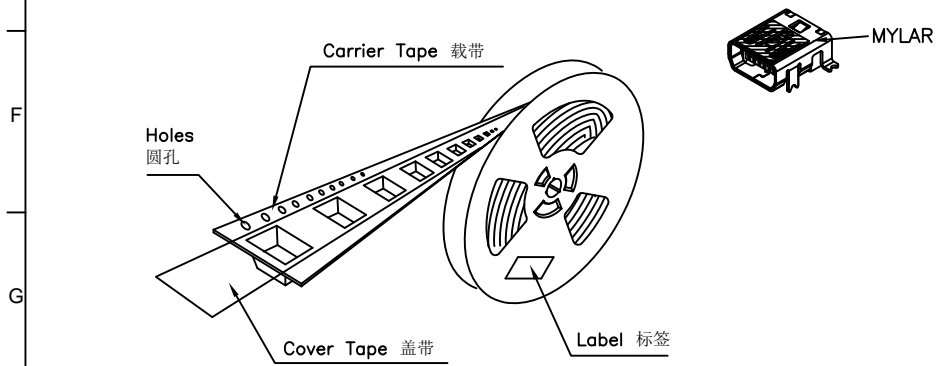


Notes注意:

- 1.All dimensions in millimeters 所有尺寸均是毫米
- 2.Each cavity will hold 1pc. Placement methods are shown in the diagrams. 每穴放置1pc产品, 放置方式如图所示
3. The peel-off force between the COVER TAPE & CARRY TAPE is: 0.1N-0.7N (variation within 0.3N). Peel-off angle:160-180 degree. COVER TAPE与CARRY TAPE剥离力:0.1N-0.7N (跳动量在0.3N以内) 剥离角度:160-180度; 剥离速度
- 4.Component Load Per 13"Reel:800Pcs 每13"卷筒承载零件:800件

Packing Rules封装规则:

- 1.All the labels on REEL should be face-up  
Reel标签一律朝上
- 2.Place 11 filled REEL into the bag  
以11盘作为一个包装单位, 外包PE袋
3. Insert bag into outer box  
卷盘使用塑胶袋封装; 然后放入外箱
- 4.Stick label on the outer carton  
标签贴放箱外



By	LYH	ASE	ASE	SA	ASE
DETAIL	DRAWING RELEASE	ECN080331A	ECN080922A	PCN20101004-2	PCNUSB2070-001
REV DATE	A 13/03/08	B 31/03/08	C 22/09/08	D 04/11/10	E 07/12/11

	Tolerances (Except as noted)	Part Number:- USB2070	Date:- 13 MAR 08	
	Dimensions in mm	Description:- MINI USB RECEPTACLE, TYPE A/B, 10 PIN, SMT, HORIZONTAL		
	Third Angle Projection	THIS DRAWING IS CONFIDENTIAL AND MUST NOT BE COPIED OR DISCLOSED WITHOUT WRITTEN CONSENT		
	Scale NTS	Revision E	Material See Note	

www.globalconnectortech.com