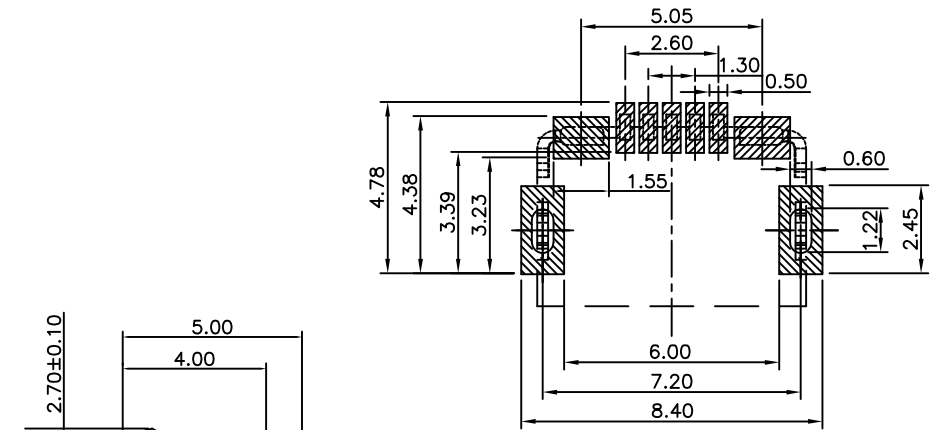
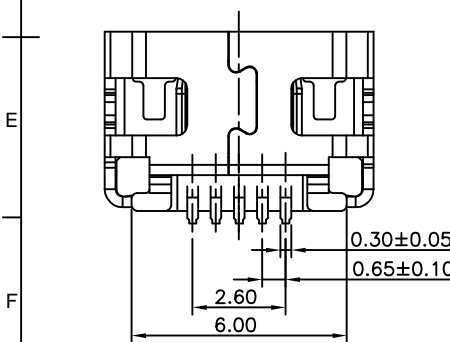
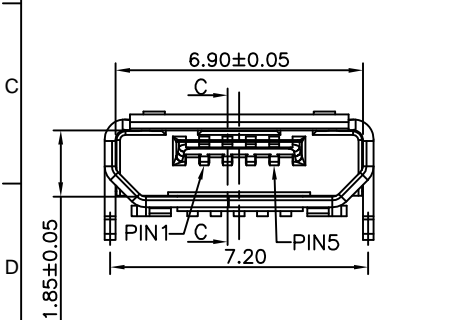
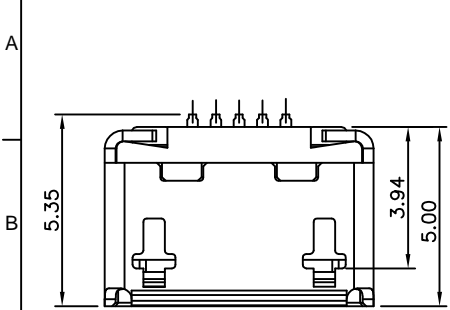
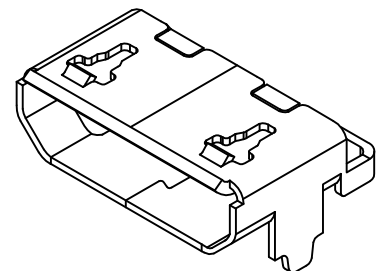
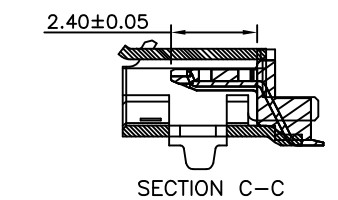


Global Connector Technology Ltd. - USB3060: Micro USB Receptacle, Type B, 5 Pin, TH, Horizontal, With Post



RECOMMENDED P.C.B LAYOUT
 GENERAL TOLERANCE: ±0.05
 AS VIEWED FROM COMPONENT SIDE



Specifications 规格:

Materials 物料规格:
 Plastic Housing 塑胶外壳: LCP (MG350BPRL), UL94V-0, Black
 Contact Terminal 接触端子: Brass (C2580R-H, T=0.15mm) 端子物料: 黄铜
 Metallic Shell 金属外壳: Stainless Steel (SUS304-1/2H, T=0.3mm) 不锈钢

Plating 电镀规格:

Contact Terminal plating 接触端子部分电镀:
 Underplating 底层电镀: 50u" Nickel all over 全部镀镍50u"
 Contact Area 接触部分: 30u" Gold 镀金30u"
 Solder Tails 焊接末端: 1u" Gold 镀金 1u"
Metallic Shell plating 金属外壳电镀:
 Underplating 底层电镀: 50u" Nickel all over 全部镀镍50u"
 Finish 表面处理: 100u" Matte Tin all over 全部镀雾锡100u"

Electrical 电气规格:

Voltage Rating 电压额定值: 100VAC
 Current Rating 电流额定值:
 Signal Pin 2,3,4 信号端子2,3,4: 1A
 Power Pin 1,5 功率端子1,5: 1.8A
 Storage Temperature 存储温度: -25°C to +85°C
 Contact Resistance 接触电阻值: 30mΩ Max.
 Insulation Resistance 绝缘电阻值: 100MΩ Min (Apply 施加500VDC)
 Dielectric Withstanding Voltage 耐电压: No Discharge or Flash,
 Leakage Current < 0.5mA 没有放电或火花, 漏电流 < 0.5mA (500VAC is applied for 1 min. 施加500VAC共一分钟)

Mechanical 机械性规格:

Mating Force 插入力: 35N (3.57Kgf) Max.
 Unmating Force 拨出力: 10N (1.02Kgf) Min.
 Contact Retention Force 接触保持力: 0.98N/Pin (0.1Kgf/Pin) Min.
 Durability 耐久性: 10,000 Cycles 10,000次插拔

Ordering Grid

USB3060 - 05 - RBHT - 30 - SLB - 00 - 01 - A

REQUEST SAMPLES AND QUOTATION

No. of Contacts 05

Contact Plating 30 = 30u" Gold

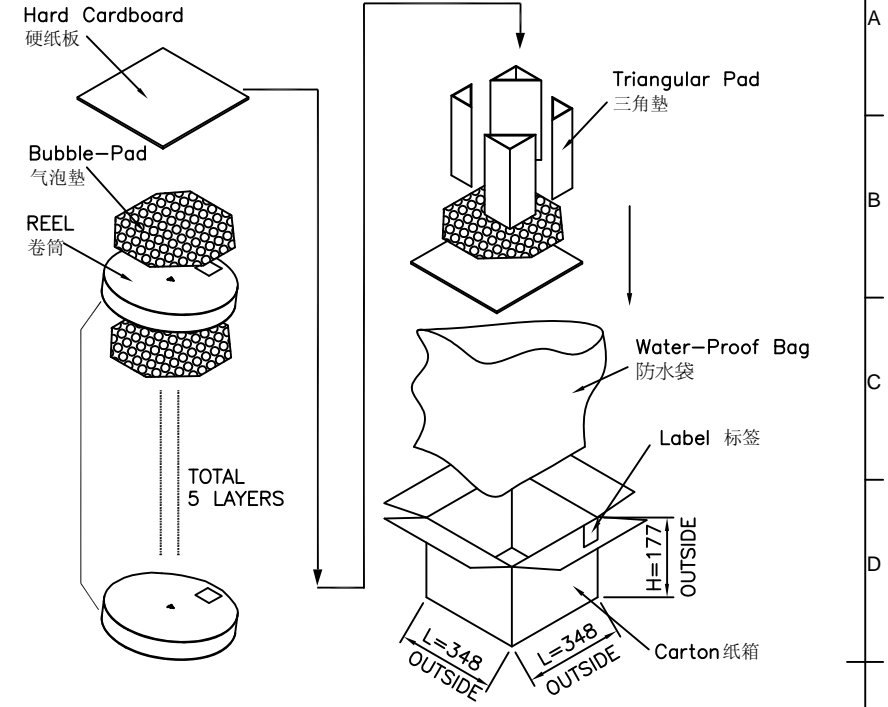
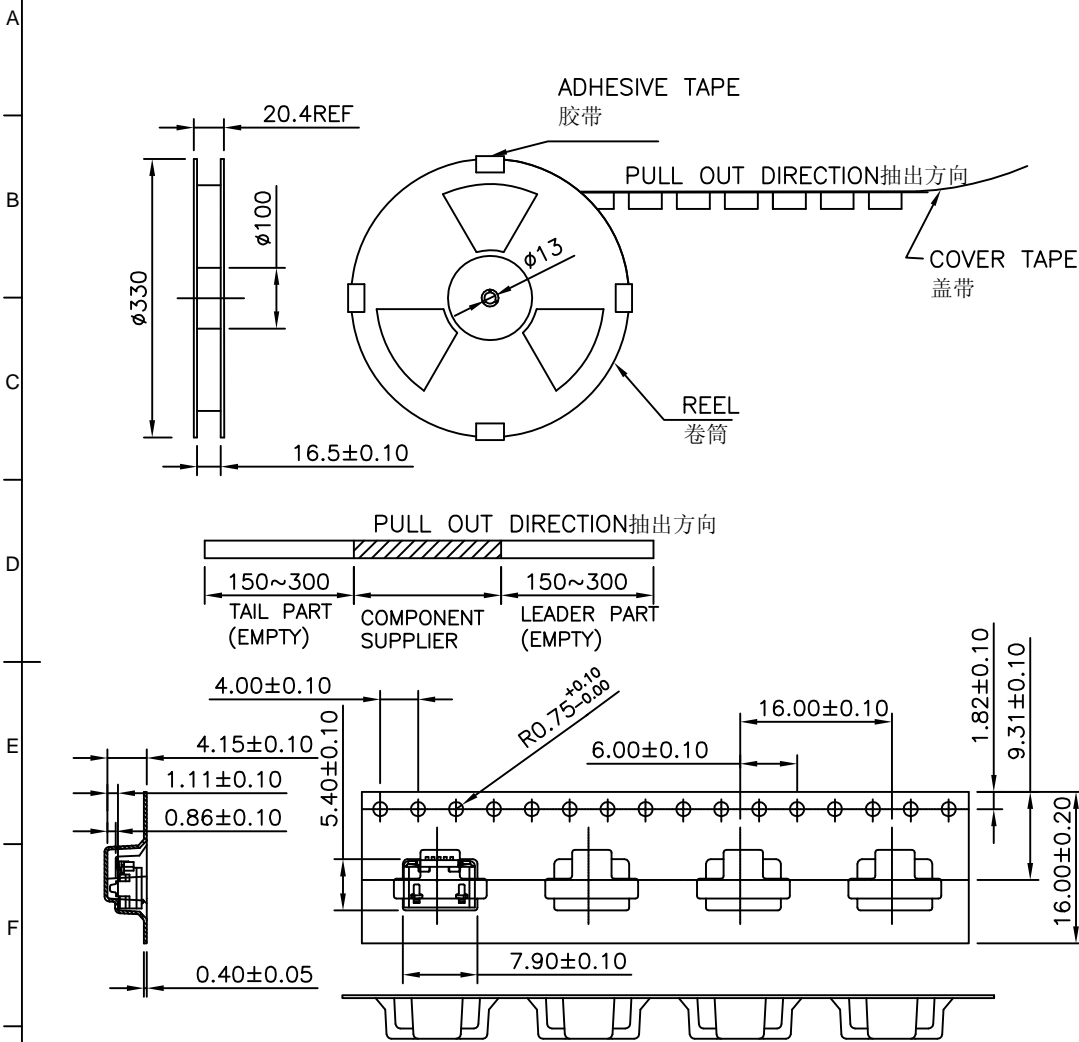
Packing Options
 A = Tape & Reel
 (Quantity per Reel: 1000pcs)

01 = With Post

Offset
 00 = No Offset

By	LYH	LYH
DETAIL	DRAWING RELEASE	ECN080318A
REV DATE	A 25/01/08	B 18/03/08

	Tolerances (Except as noted)	Part Number:-	Date:-	
	Dimensions in mm	USB3060	25 JAN 08	
	X.X ± 0.30 X.° ± 3° X.XX ± 0.20 X.X° ± 2° X.XXX ± 0.10 X.XX° ± 1°	Description:-	MICRO USB RECEPTACLE, TYPE B, 5 PIN, TH, HORIZONTAL, WITH POST	
	THIS DRAWING IS CONFIDENTIAL AND MUST NOT BE COPIED OR DISCLOSED WITHOUT WRITTEN CONSENT		Scale NTS Revision B Material See Note Drawn by LYH E & OE	www.globalconnectortechnology.com Sheet No. 1/2



Notes 注意:

- The 1st & Last 200-300mm at the leading & tail of the CARRY TAPE will not be used. CARRY TAPE 前部分与尾部分各留出200-300mm长度不装产品
- Each cavity will hold 1pc. Placement methods are shown in the diagrams. 每穴放置1pc产品, 放置方式如图所示
- After the packing machine filled the REEL, tangle the REEL one more loop with protection tape, stick adhesive tape on the four quadrants of the REEL, to avoid out-spreading. Stick 1pc. of label on each REEL. 包装机包好后, 再缠上一圈电周波, 在REEL的四个极点上贴胶布, 以防止REEL张开, 每REEL贴1PC标签
- Method of Packing is Hot-Melting. 包装方式是热熔式
- Firstly put a water-proof bag at the bottom of the carton box, then place 1pc. of hard cardboard on top, following with 1pc. of bubble-pad, and at the four corners, place the triangular pads, then place those filled REEL into the center of the carton box. Between the REEL, place 1pc. of bubble-pad as the separator, until 5pc. of REEL are filled in the box. Then place 1pc of bubble-pad & 1pc. of hard cardboard on top, close the carton by plastic tape lastly. 先在纸箱底部套上一防水袋, 再垫上1pc硬纸板后再垫上1pc气泡垫, 四角垫上三角垫, 度然后把装好产品的REEL放进纸箱中, 每REEL之间隔1pc气泡垫, 依次把5 REEL产品放到纸箱中, 上面再垫上各1pc气泡垫及硬纸板, 最后用胶带封箱.
- The peel-off force between the COVER TAPE & CARRY TAPE is: 0.1N-0.7N (variation within 0.3N). Peel-off angle: 165-175 degree; Speed of peel-off: 250mm-300mm/min. COVER TAPE与CARRY TAPE剥离力: 0.1N-0.7N (跳动量在0.3N以内) 剥离角度: 165-175度; 剥离速度: 250mm-300mm/分钟

By	LYH	LYH
DETAIL	DRAWING RELEASE	ECN080318A
REV	A	B
DATE	25/01/08	18/03/08



Tolerances (Except as noted)	Part Number:-	Date:-
Dimensions in mm	USB3060	25 JAN 08
	Description:-	
	MICRO USB RECEPTACLE, TYPE B, 5 PIN, TH, HORIZONTAL, WITH POST	
Third Angle Projection	© THIS DRAWING IS CONFIDENTIAL AND MUST NOT BE COPIED OR DISCLOSED WITHOUT WRITTEN CONSENT	

GCT					
www.globalconnectortechology.com					
Scale	Revision	Material	Drawn by	E & OE	Sheet No.
NTS	B	See Note	LYH		2/2