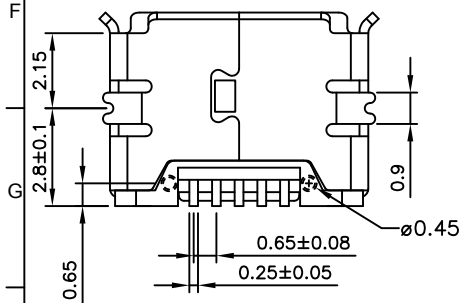
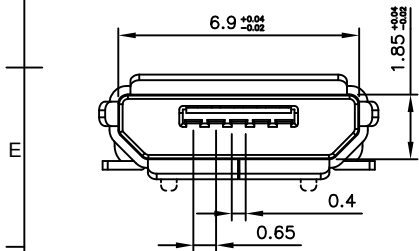
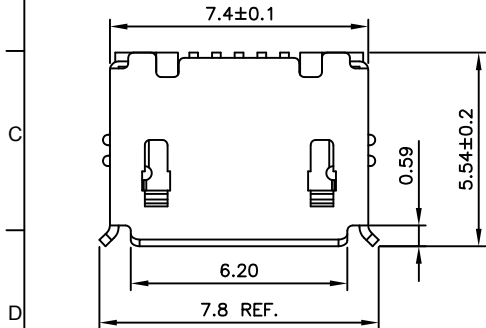
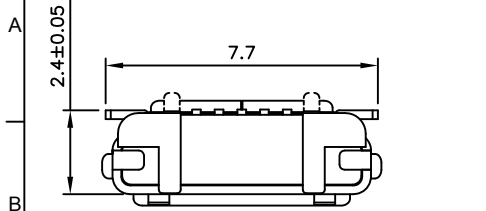
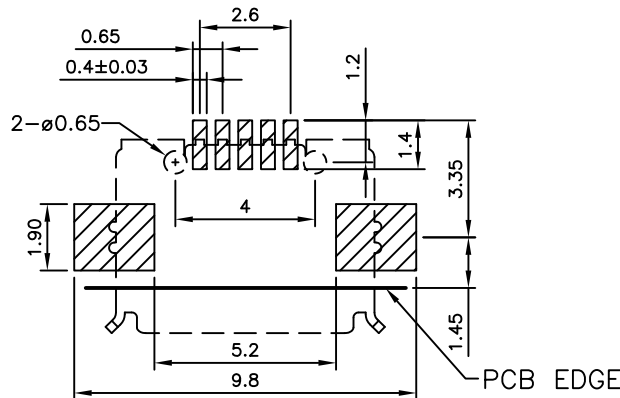


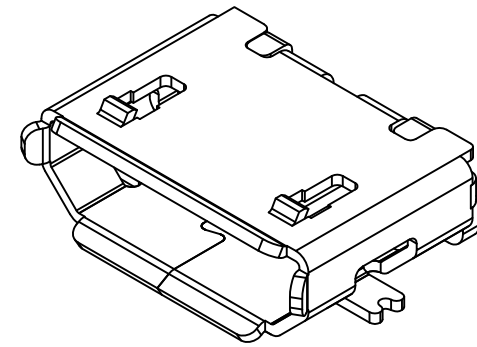
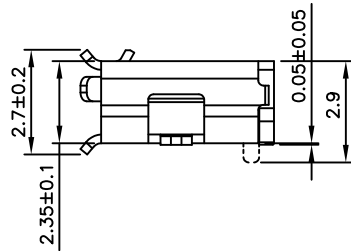
Global Connector Technology Ltd. - USB3065: Micro USB Receptacle, Type B, 5 Pin, Surface Mount, Horizontal, Bottom Mount (Standard), Optional Plastic Locating Peg



Designed to comply with physical, electrical and environmental requirements of Micro USB Standard (USB2.0).



RECOMMENDED P.C.B LAYOUT  
GENERAL TOLERANCE: ±0.05  
AS VIEWED FROM COMPONENT SIDE  
 Solder Area  
 Component Outline



Specifications 规格:

Materials 材料:

Plastic Housing 塑胶外壳: LCP, UL94V-0, Black, LCP, UL94V-0 黑色  
 Contact Terminal 接触端子: Copper Alloy 铜合金  
 Metallic Shell 金属外壳: Stainless Steel 不锈钢

Plating 电镀:

Underplating 底层电镀: 50µ" Nickel, 50µ" 镍  
 Finish 表面处理: Contact Area 接触面积: 30µ" Gold plating, 30µ" 镀金  
 Solder Tails 焊接末端: Gold Flash 镀金  
 Metallic Shell 金属外壳: Matte Tin 雾锡

Electrical 电气规格:

Voltage Rating 电压额定值: 100 V AC  
 Current Rating 电流额定值: Signal(Pins 2,3,4)信号:1.0 A. B  
 Power (Pins 1,5)电源:1.8A.  
 Operating Temperature 工作温度: -20°C to +85°C  
 Contact Resistance 接触电阻值: 30mΩ Max.  
 Insulating Resistance 绝缘电阻值: 1000MΩ Min.  
 Dielectric Withstand Voltage 耐电压: 250V AC/Minute

Mechanical 机械性规格:

Mating Force 插入力: 35N Max.  
 Unmating Force 拔出力: 8N Min.  
 Durability 耐久性: 10,000 Cycles 次插拔



Contact Plating  
30 = 30u" Gold

Packing Options  
A = Tape & Reel  
(1.5K per Reel)

Optional Plastic Locating Peg  
00 = Without Peg (Standard)  
01 = With Peg

By	SA	CM
DETAIL	DRAWING RELEASE	DRAWING UPDATE
REV	A	B
DATE	04/04/11	26/10/11

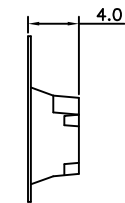
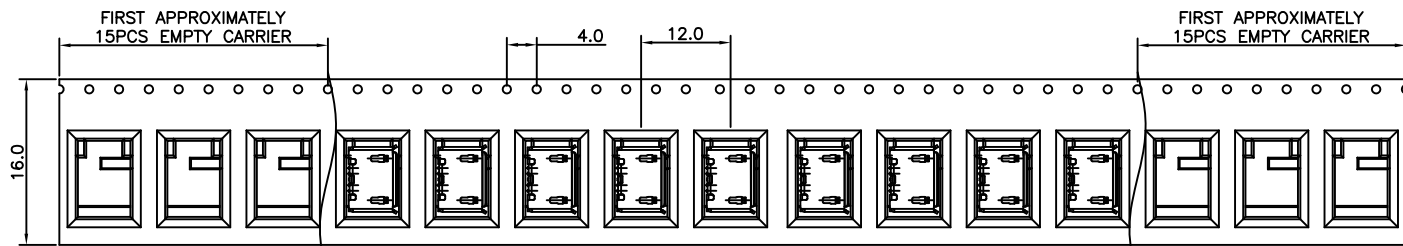


Tolerances (Except as noted)		Part Number:-	Date:-
Dimensions in mm		USB3065	04 APR 11
X.X ± 0.2	X.X* ± 2°	Description:-	
X.XX ± 0.10	X.XX* ± 1°	µ USB RECEPTACLE, TYPE B, HORIZONTAL, SMT, BOTTOM MOUNT, OPTIONAL LOCATING PEG	
X.XXX ± 0.05	X.XXX* ± 0.5°	THIS DRAWING IS CONFIDENTIAL AND MUST NOT BE COPIED OR DISCLOSED WITHOUT WRITTEN CONSENT	
Third Angle Projection		Scale	Revision
		NTS	B
		Material	Drawn by
		See Note	SA
		E & OE	Sheet No.
			1/2

**GCT**

www.globalconnectortechology.com

Global Connector Technology Ltd. - USB3065: Micro USB Receptacle, Type B, 5 Pin, Surface Mount, Horizontal, Bottom Mount (Standard), Optional Plastic Locating Peg



Products P/N	PCS/Reel	Reels/Carton	PCS/Carton
USB3065-30-XX-A	1500	5	7500

- Notes注意:
1. Peeling off force of top tape: 0.1-1.3N
  2. Part Conforms to EIA-481-C Standards 产品符合EIA-481-C标准
  3. All dimensions in millimeters 所有尺寸均是毫米
  4. 10 sprocket hole pitch cumulative tolerance±0.2mm

I/O Direction  
卷盤繞逆時針方向轉動

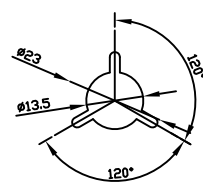
Cover Tape  
盖带

Peel of Angle  
剥皮角度

10°

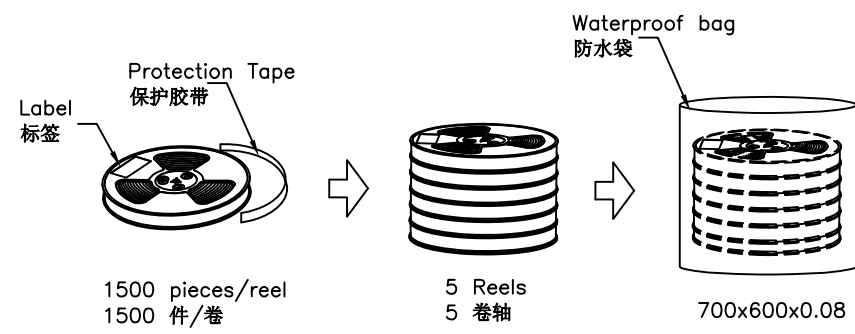
Carrier Tape  
载带

ø330



Detail F

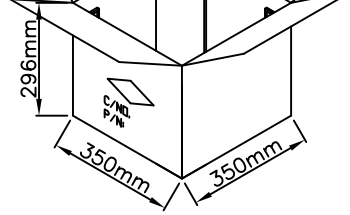
Detail F  
Reel 卷筒



Cardboard  
纸板

Triangle Liner  
三角形班轮

Carton  
纸箱



By	SA	CM
DETAIL	DRAWING RELEASE	DRAWING UPDATE
REV DATE	A 04/04/11	B 26/10/11



Tolerances (Except as noted)	Part Number:- USB3065	Date:- 04 APR 11
Dimensions in mm	Description:- µ USB RECEPTACLE, TYPE B, HORIZONTAL, SMT, BOTTOM MOUNT, OPTIONAL LOCATING PEG	
THIS DRAWING IS CONFIDENTIAL AND MUST NOT BE COPIED OR DISCLOSED WITHOUT WRITTEN CONSENT		
Third Angle Projection	Scale NTS	Revision B

**GCT**

www.globalconnectortechnology.com

Material See Note	Drawn by SA	E & OE	Sheet No. 2/2
----------------------	----------------	--------	------------------