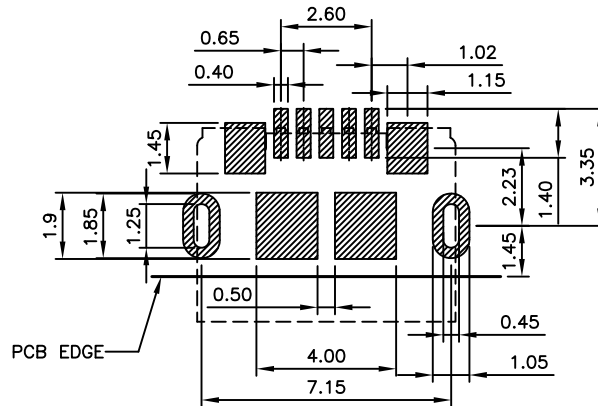
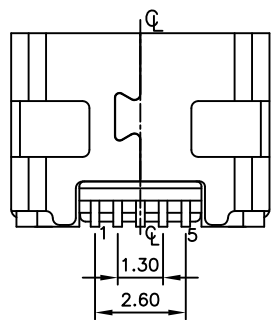
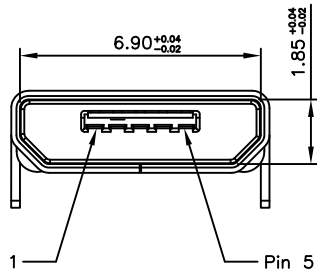
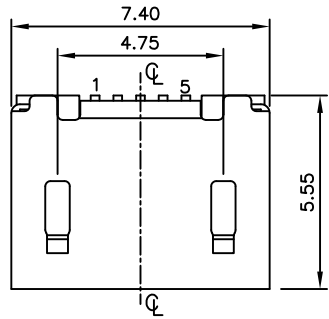
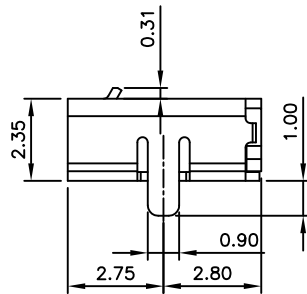


Designed to comply with physical, electrical and environmental requirements of Micro USB Standard (USB2.0).

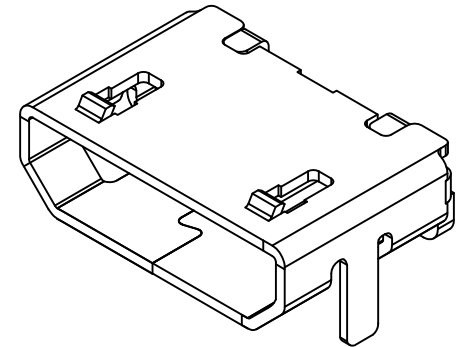


RECOMMENDED P.C.B LAYOUT
 GENERAL TOLERANCE: ± 0.05
 AS VIEWED FROM COMPONENT SIDE
 [Hatched Area] Solder Area
 [Dashed Outline] Component Outline



Ordering Grid
USB3076 - 30 - A **REQUEST SAMPLES AND QUOTATION**

Contact Plating
 30 = 30u" Gold
 Packing Options
 A = Tape & Reel
 (1.5K per Reel)



Specifications 规格:

Materials 材料:

Plastic Housing 塑胶外壳: LCP, UL94V-0, Black, LCP, UL94V-0 黑色
 Contact Terminal 接触端子: Copper Alloy 铜合金
 Metallic Shell 金属外壳: Stainless Steel 不锈钢

Plating 电镀:

Underplating 底层电镀: 50 μ " Nickel, 50 μ " 镍
 Finish 表面处理: Contact Area 接触面积: 30 μ " Gold plating, 30 μ " 镀金
 Solder Tails 焊接末端: Gold Flash 镀金
 Metallic Shell 金属外壳: Matte Tin 雾锡

Electrical 电气规格:

Voltage Rating 电压额定值: 100 V AC
 Current Rating 电流额定值: Signal(Pins 2,3,4)信号:1.0 A.
 Power (Pins1,5)电源:1.8A.
 Operating Temperature 工作温度: -25°C to +85°C
 Contact Resistance 接触电阻值: 30m Ω Max.
 Insulating Resistance 绝缘电阻值: 1000M Ω Min.
 Dielectric Withstand Voltage 耐电压: 250V AC/Minute

Mechanical 机械性规格:

Mating Force 插入力: 35N Max.
 Unmating Force 拔出力: 8N Min.
 Durability 耐久性: 10,000 Cycles 次插拔

By	ASE
DETAIL	DRAWING RELEASE
REV DATE	A 26/08/11



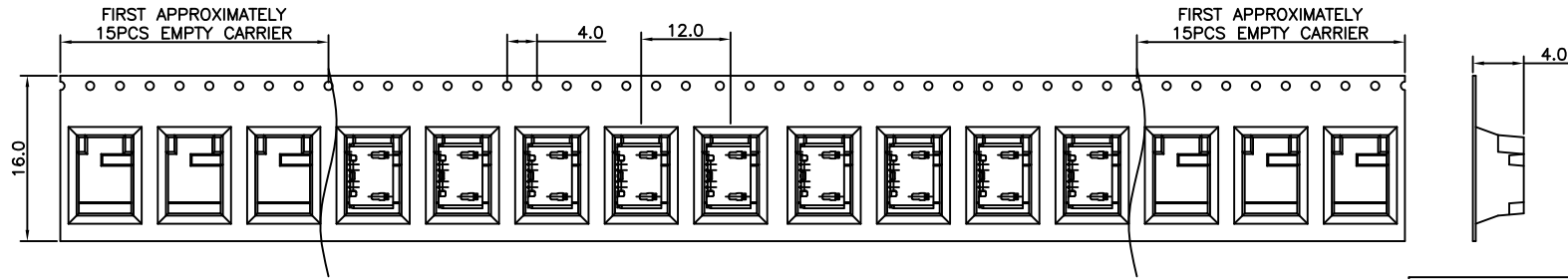
Tolerances (Except as noted)	Part Number:-	Date:-
Dimensions in mm	USB3076	26 AUG 11
X.X \pm 0.30	X.X* \pm 2*	Description:- μ USB RECEPTACLE, TYPE B, SMT, HORIZONTAL, BOTTOM MOUNT, NO PEG, WITH SHELL STAKES
X.XX \pm 0.20	X.XX* \pm 1*	
X.XXX \pm 0.10	X.XXX* \pm 0.5*	
Third Angle Projection	© THIS DRAWING IS CONFIDENTIAL AND MUST NOT BE COPIED OR DISCLOSED WITHOUT WRITTEN CONSENT	

GCT

www.globalconnectortechonlogy.com

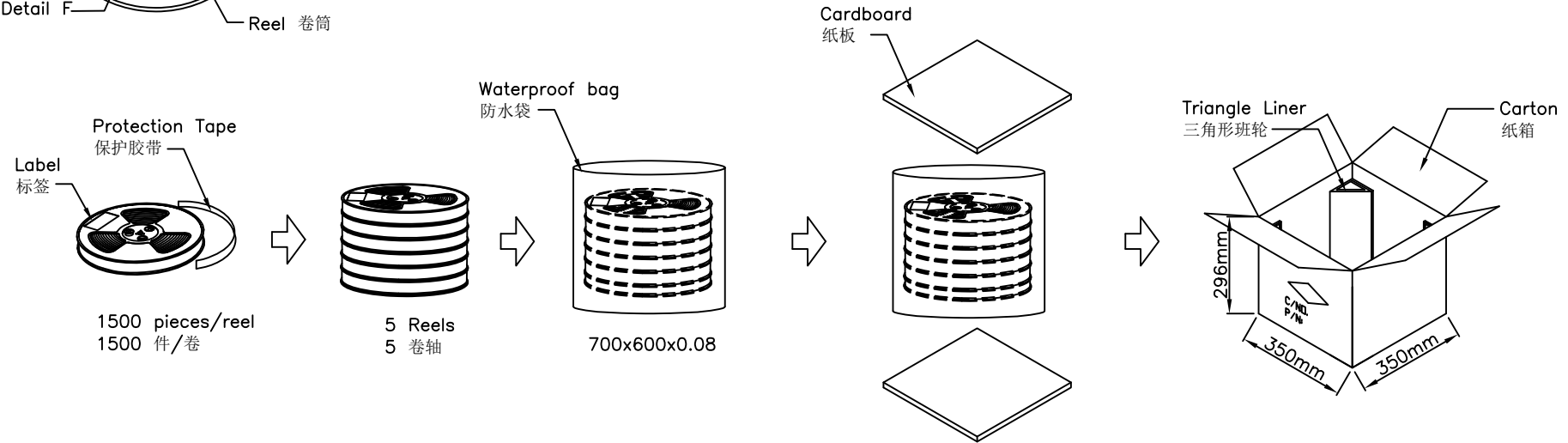
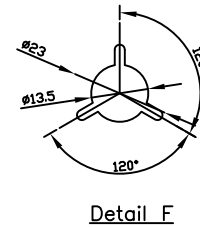
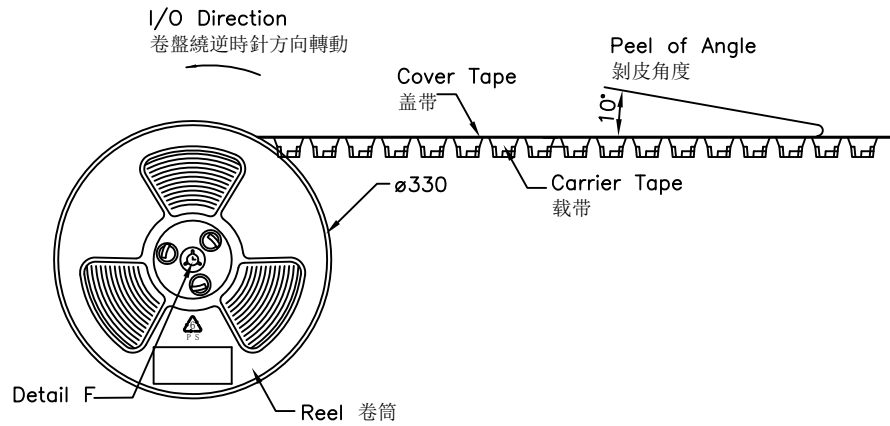
Scale	Revision	Material	Drawn by	Sheet No.
NTS	A	See Note	ASE	E & OE 1/2

Global Connector Technology Ltd. - USB3076: μ USB Receptacle, Type B, SMT, Horizontal, Bottom Mount (Standard), without Peg, w/Outer Shell Stakes, without Mating Face Lead In



Products P/N	PCS/Reel	Reels/Carton	PCS/Carton
USB3076-30-A	1500	5	7500

- Notes注意:
1. Peeling off force of top tape: 0.1-1.3N
 2. Part Conforms to EIA-481-C Standards 产品符合EIA-481-C标准
 3. All dimensions in millimeters 所有尺寸均是毫米
 4. 10 sprocket hole pitch cumulative tolerance \pm 0.2mm



By	ASE
DETAIL	DRAWING RELEASE
REV DATE	A 26/08/11



Tolerances (Except as noted)	Part Number:-	Date:-
Dimensions in mm	USB3076	26 AUG 11
	Description:-	
	μ USB RECEPTACLE, TYPE B, SMT, HORIZONTAL, BOTTOM MOUNT, NO PEG, WITH SHELL STAKES	
Third Angle Projection	© THIS DRAWING IS CONFIDENTIAL AND MUST NOT BE COPIED OR DISCLOSED WITHOUT WRITTEN CONSENT	

GCT				
www.globalconnectortechonlogy.com				
Scale	Revision	Material	Drawn by	Sheet No.
NTS	A	See Note	ASE	2/2
			E & OE	