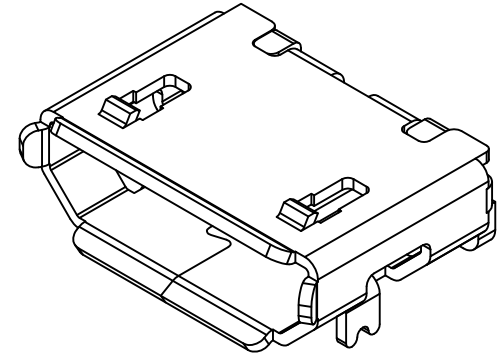


Designed to comply with physical, electrical and environmental requirements of Micro USB Standard (USB2.0).



Specifications 规格:

Materials 材料:

Plastic Housing 塑胶外壳: LCP, UL94V-0, Black, LCP, UL94V-0 黑色  
 Contact Terminal 接触端子: Copper Alloy 铜合金  
 Metallic Shell 金属外壳: Stainless Steel 不锈钢

Plating 电镀:

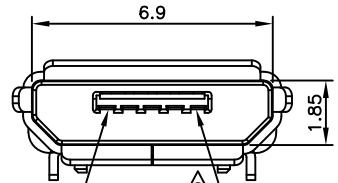
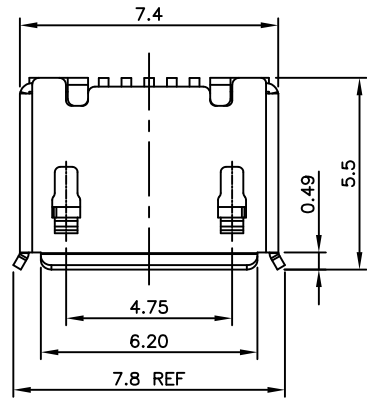
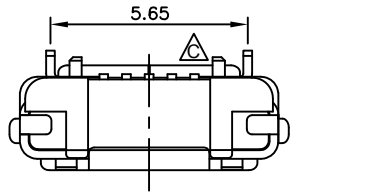
Underplating 底层电镀: 50µ" Nickel, 50µ" 镍  
 Finish 表面处理: Contact Area 接触面积: 30µ" Gold plating, 30µ" 镀金  
 Solder Tails 焊接末端: Gold Flash 镀金  
 Metallic Shell 金属外壳: Matte Tin 雾锡

Electrical 电气规格:

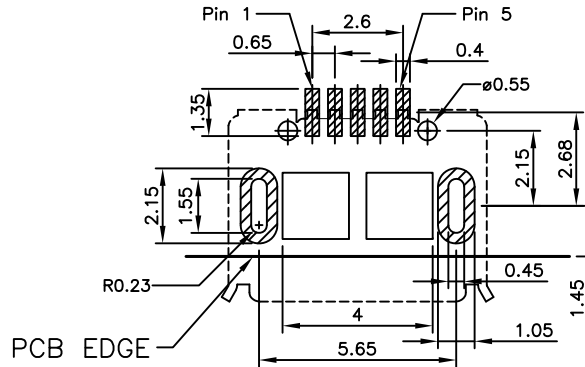
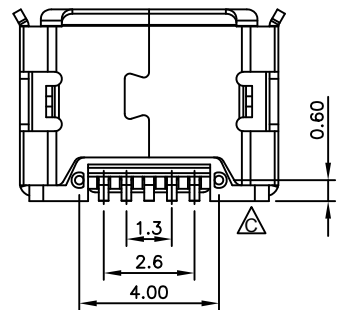
Voltage Rating 电压额定值: 100 V AC  
 Current Rating 电流额定值: Signal(Pins 2,3,4) 信号: 1.0 A  
 Power (Pins 1,5) 电源: 1.8A. **B**  
 Operating Temperature 工作温度: -20°C to +85°C  
 Contact Resistance 接触电阻值: 30mΩ Max.  
 Insulating Resistance 绝缘电阻值: 1000MΩ Min.  
 Dielectric Withstand Voltage 耐电压: 250V AC/Minute

Mechanical 机械性规格:

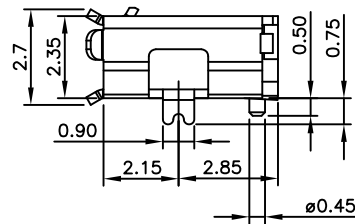
Mating Force 插入力: 35N Max.  
 Unmating Force 拔出力: 8N Min.  
 Durability 耐久性: 10,000 Cycles 次插拔



Pin 1 Pin 5



**RECOMMENDED P.C.B LAYOUT**  
 GENERAL TOLERANCE: ±0.05  
 AS VIEWED FROM COMPONENT SIDE  
 [Hatched] Solder Area  
 [Outline] Component Outline



Ordering Grid



Contact Plating  
 30 = 30µ" Gold

Packing Options  
 A = Tape & Reel  
 (1.5K per Reel)

Optional Plastic Locating Peg  
 00 = Without Peg  
 01 = With Peg (Standard)

By	SA	CM	ASE
DETAIL	DRAWING RELEASE	DRAWING UPDATE	AMENDED PEG
REV	A	B	C
DATE	04/04/11	26/10/11	17/02/12



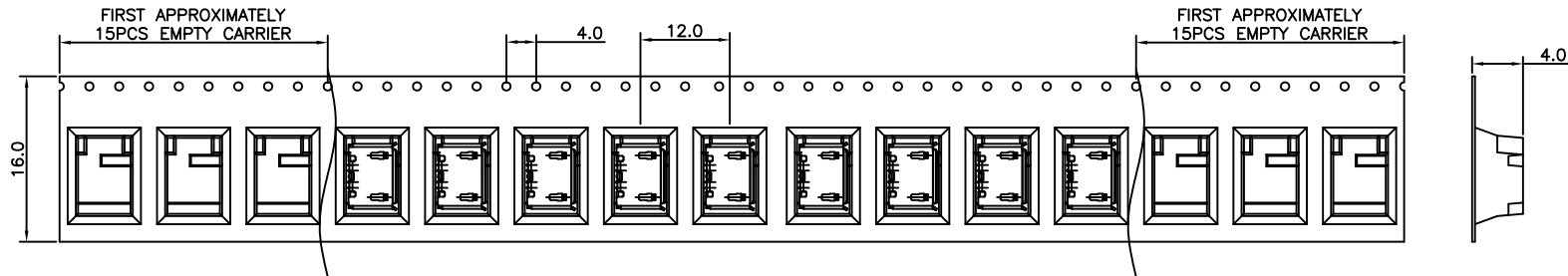
Tolerances (Except as noted)	Part Number:-	Date:-
Dimensions in mm	USB3080	04 APR 11
X.X ± 0.4 X.X* ± 2°	Description:-	
X.XX ± 0.25 X.XX* ± 1°	µ USB RECEPTACLE, TYPE B, SMT, R/A, BOTTOM MOUNT, OPTIONAL PEG, WITH SHELL STAKES	
X.XXX ± 0.05 X.XXX* ± 0.5°		
Third Angle Projection	© THIS DRAWING IS CONFIDENTIAL AND MUST NOT BE COPIED OR DISCLOSED WITHOUT WRITTEN CONSENT	

**GCT**

www.globalconnectortechnology.com

Scale	Revision	Material	Drawn by	Sheet No.
NTS	C	See Note	SA	E & OE 1/2

Global Connector Technology Ltd. - USB3080: Micro USB Receptacle, Type B, SMT, Horizontal, Bottom Mount (Standard), with Optional Plastic Locating Peg and Inner Shell Stakes



Products P/N	PCS/Reel	Reels/Carton	PCS/Carton
USB3080-30-XX-A	1500	5	7500

Notes 注意:

1. Peeling off force of top tape: 0.1-1.3N
2. Part Conforms to EIA-481-C Standards 产品符合EIA-481-C标准
3. All dimensions in millimeters 所有尺寸均是毫米
4. 10 sprocket hole pitch cumulative tolerance±0.2mm

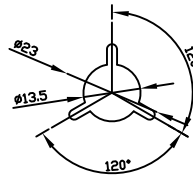
I/O Direction  
卷盤繞逆時針方向轉動

Cover Tape  
盖带

Peel of Angle  
剥皮角度

Carrier Tape  
载带

Reel 卷筒



Detail F

Protection Tape  
保护胶带

Label  
标签

1500 pieces/reel  
1500 件/卷

5 Reels  
5 卷轴

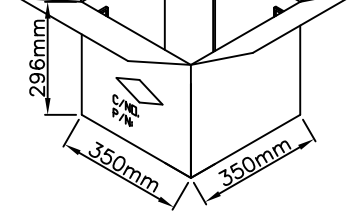
Waterproof bag  
防水袋

700x600x0.08

Cardboard  
纸板

Triangle Liner  
三角形班轮

Carton  
纸箱



By	SA	CM	ASE
DETAIL	DRAWING RELEASE	DRAWING UPDATE	AMENDED PEG
REV DATE	A 04/04/11	B 26/10/11	C 17/02/12



Tolerances (Except as noted)	Part Number:- USB3080	Date:- 04 APR 11
Dimensions in mm	Description:- μ USB RECEPTACLE, TYPE B, SMT, R/A, BOTTOM MOUNT, OPTIONAL PEG, WITH SHELL STAKES	
Third Angle Projection	© THIS DRAWING IS CONFIDENTIAL AND MUST NOT BE COPIED OR DISCLOSED WITHOUT WRITTEN CONSENT	

**GCT**

www.globalconnectortechnology.com

Scale NTS	Revision C	Material See Note	Drawn by SA	E & OE	Sheet No. 2/2
--------------	---------------	----------------------	----------------	--------	------------------