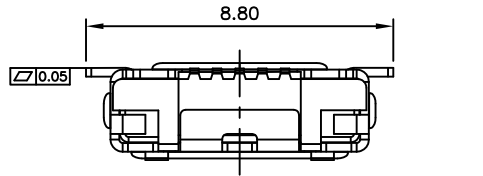
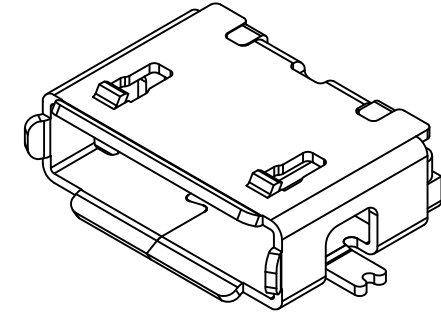
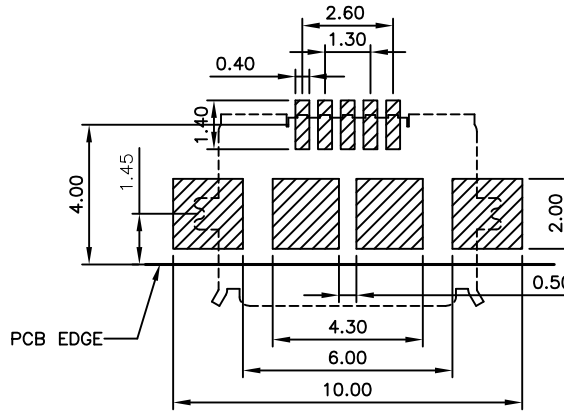
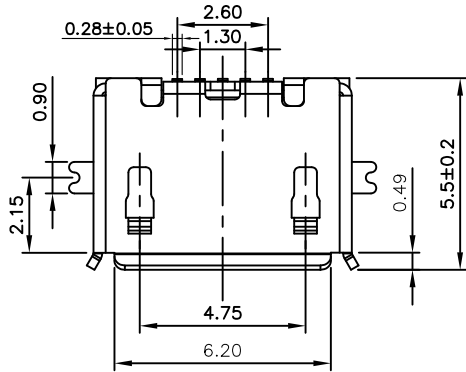


Global Connector Technology Ltd. - USB3085: Micro USB Receptacle, Type AB, Surface Mount, Horizontal, Bottom Mount (Standard), Without Peg



Designed to comply with physical, electrical and environmental requirements of Micro USB Standard (USB2.0), A/B types support USB On-The-GO (OTG) interface.



Specifications 规格:

Materials 材料:

Plastic Housing 塑胶外壳: LCP, UL94V-0, Black, LCP, UL94V-0 黑色
 Contact Terminal 接触端子: Copper Alloy 铜合金
 Metallic Shell 金属外壳: Stainless Steel 不锈钢

Plating 电镀:

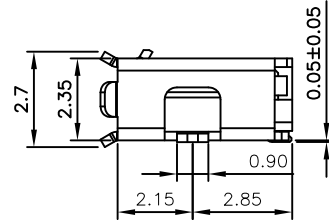
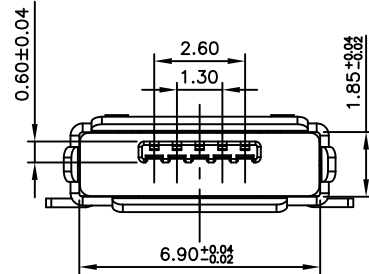
Underplating 底层电镀: 50µ" Nickel, 50µ" 镍
 Finish 表面处理: Contact Area 接触面积: 30µ" Gold plating, 30µ" 镀金
 Solder Tails 焊接末端: Gold Flash 镀金
 Metallic Shell 金属外壳: Matte Tin 雾锡

Electrical 电气规格:

Voltage Rating 电压额定值: 100 V AC
 Current Rating 电流额定值: Signal(Pins 2,3,4)信号: 1.0 A, Power (Pins 1,5)电源: 1.8A
 Operating Temperature 工作温度: -25°C to +85°C
 Contact Resistance 接触电阻值: 30mΩ Max.
 Insulating Resistance 绝缘电阻值: 1000MΩ Min.
 Dielectric Withstand Voltage 耐压: 250V AC/Minute

Mechanical 机械性规格:

Mating Force 插入力: 35N Max.
 Unmating Force 拔出力: 8N Min.
 Durability 耐久性: 10,000 Cycles 次插拔



RECOMMENDED P.C.B LAYOUT

GENERAL TOLERANCE: ±0.05

AS VIEWED FROM COMPONENT SIDE

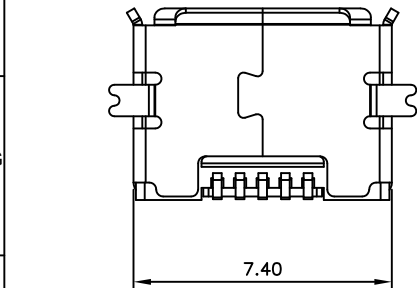
- Solder Area
- Component Outline

Ordering Grid

USB3085 - 30 - A REQUEST SAMPLES AND QUOTATION

Contact Plating
 30 = 30µ" Gold

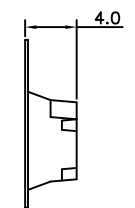
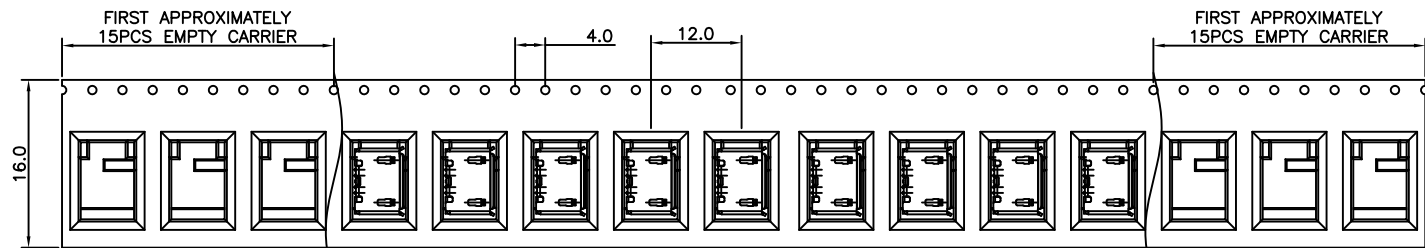
Packing Options
 A = Tape & Reel
 (1.5K per Reel)



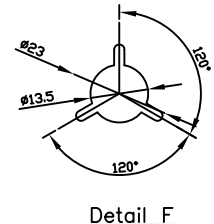
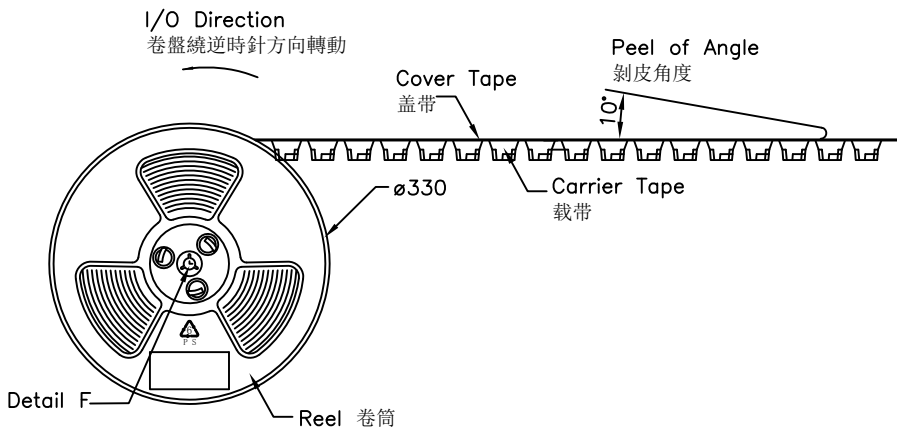
By	SA	CM
DETAIL	DRAWING RELEASE	DRAWING UPDATE
REV DATE	A 04/04/11	B 26/10/11

	Tolerances (Except as noted)		Part Number:-	Date:-			
	Dimensions in mm		USB3085	04 APR 11			
	X.X ± 0.3	X.X* ± 2°	Description:-				
X.XX ± 0.20	X.XX* ± 1°	µ USB RECEPTACLE, TYPE AB, SURFACE MOUNT, HORIZONTAL, BOTTOM MOUNT, WITHOUT PEG			www.globalconnectortechology.com		
X.XXX ± 0.10	X.XXX* ± 0.5°	THIS DRAWING IS CONFIDENTIAL AND MUST NOT BE COPIED OR DISCLOSED WITHOUT WRITTEN CONSENT					
Third Angle Projection		Scale NTS	Revision B	Material See Note	Drawn by SA	E & OE	Sheet No. 1/2

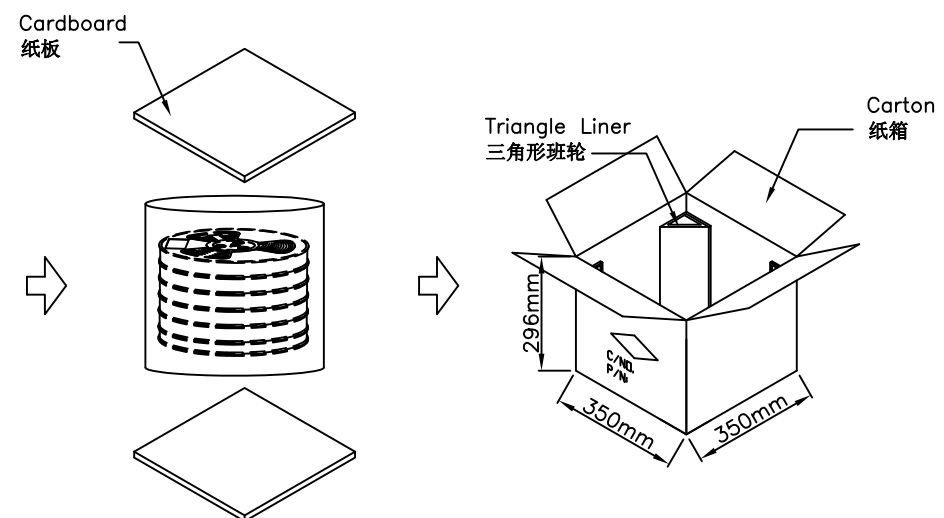
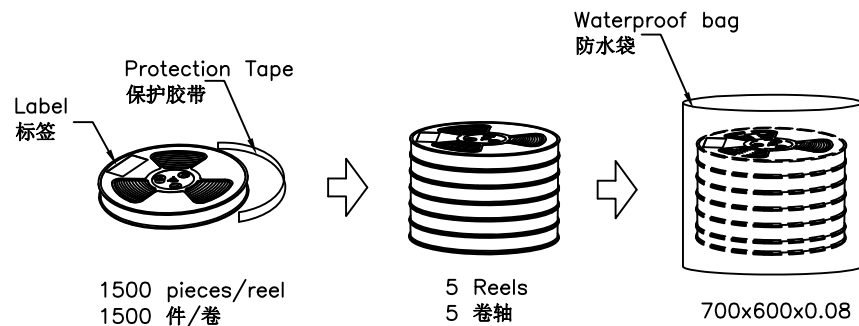
Global Connector Technology Ltd. - USB3095: Micro USB Receptacle, Type AB, Surface Mount, Horizontal, Bottom Mount (Standard), without Peg



Products P/N	PCS/Reel	Reels/Carton	PCS/Carton
USB3085-30-A	1500	5	7500



- Notes 注意:
1. Peeling off force of top tape: 0.1-1.3N
 2. Part Conforms to EIA-481-C Standards 产品符合EIA-481-C标准
 3. All dimensions in millimeters 所有尺寸均是毫米
 4. 10 sprocket hole pitch cumulative tolerance±0.2mm



By	SA	CM
DETAIL	DRAWING RELEASE	DRAWING UPDATE
REV DATE	A 04/04/11	B 26/10/11



Tolerances (Except as noted)	Part Number:- USB3085	Date:- 04 APR 11
Dimensions in mm	Description:- μ USB RECEPTACLE, TYPE AB, SURFACE MOUNT, HORIZONTAL, BOTTOM MOUNT, WITHOUT PEG	
Third Angle Projection	© THIS DRAWING IS CONFIDENTIAL AND MUST NOT BE COPIED OR DISCLOSED WITHOUT WRITTEN CONSENT	

GCT

www.globalconnectortechology.com

Scale	Revision	Material	Drawn by	Sheet No.
NTS	B	See Note	SA	E & OE 2/2