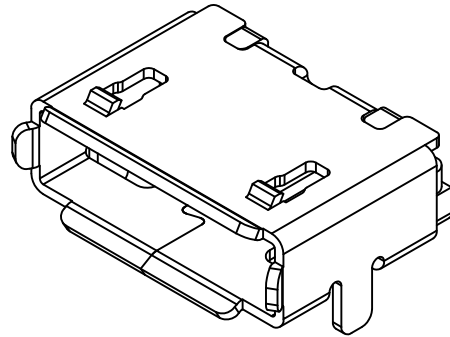


Designed to comply with physical, electrical and environmental requirements of Micro USB Standard (USB2.0), A/B types support USB On-The-GO (OTG) interface.



Specifications 规格:

Materials 材料:

Plastic Housing 塑胶外壳: LCP, UL94V-0, Black, LCP, UL94V-0 黑色
 Contact Terminal 接触端子: Copper Alloy 铜合金
 Metallic Shell 金属外壳: Stainless Steel 不锈钢

Plating 电镀:

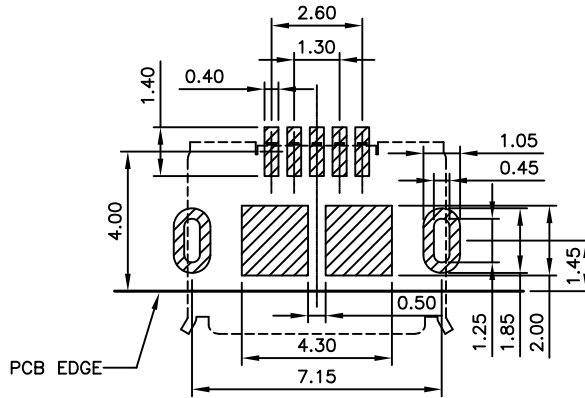
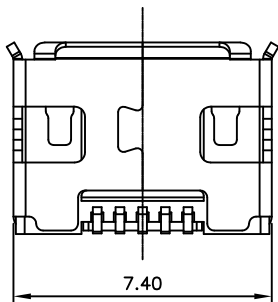
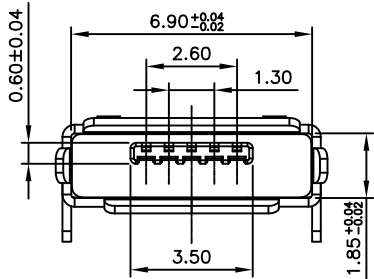
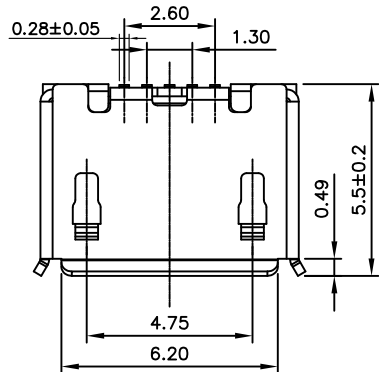
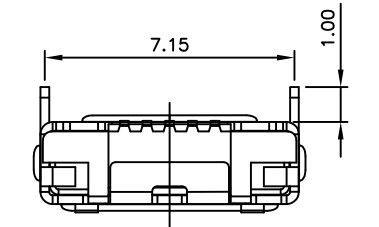
Underplating 底层电镀: 50µ" Nickel, 50µ" 镍
 Finish 表面处理: Contact Area 接触面积: 30µ" Gold plating, 30µ" 镀金
 Solder Tails 焊接末端: Gold Flash 镀金
 Metallic Shell 金属外壳: Matte Tin 雾锡

Electrical 电气规格:

Voltage Rating 电压额定值: 100 V AC
 Current Rating 电流额定值: Signal (Pins 2,3,4) 信号: 1.0 A. B
 Power (Pins 1,5) 电源: 1.8A.
 Operating Temperature 工作温度: -25°C to +85°C
 Contact Resistance 接触电阻值: 30mΩ Max.
 Insulating Resistance 绝缘电阻值: 1000MΩ Min.
 Dielectric Withstand Voltage 耐压: 250V AC/Minute

Mechanical 机械性规格:

Mating Force 插入力: 35N Max.
 Unmating Force 拔出力: 8N Min.
 Durability 耐久性: 10,000 Cycles 次插拔

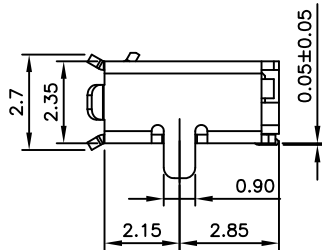


RECOMMENDED P.C.B LAYOUT

GENERAL TOLERANCE: ±0.05

AS VIEWED FROM COMPONENT SIDE

Solder Area
 Component Outline



Ordering Grid

USB3090 - 30 - A

Contact Plating
 30 = 30u" Gold

Packing Options
 A = Tape & Reel
 (1.5K per Reel)

REQUEST SAMPLES AND QUOTATION

| | | |
|--------|-----------------|----------------|
| By | SA | CM |
| DETAIL | DRAWING RELEASE | DRAWING UPDATE |
| REV | A | B |
| DATE | 04/04/11 | 26/10/11 |

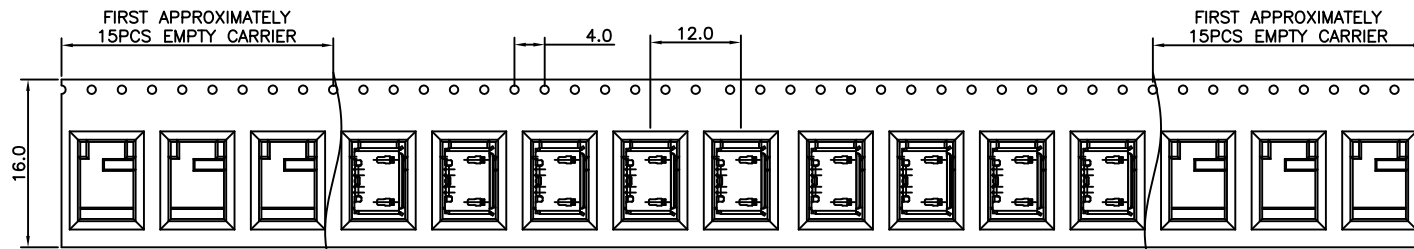


| | | | |
|---------------------------------|---------------|--|-----------|
| Tolerances (Except as noted) | | Part Number:- | Date:- |
| Dimensions in mm | | USB3090 | 04 APR 11 |
| X.X ± 0.3 | X.X* ± 2* | Description:- | |
| X.XX ± 0.20 | X.XX* ± 1* | µ USB RECEPTACLE, TYPE AB, SMT, R/A, BOTTOM MOUNT, WITHOUT PEG, WITH OUTER SHELL STAKES | |
| X.XXX ± 0.10 | X.XXX* ± 0.5* | © THIS DRAWING IS CONFIDENTIAL AND MUST NOT BE COPIED OR DISCLOSED WITHOUT WRITTEN CONSENT | |
| Third Angle Projection | | Scale | Revision |
| | | NTS | B |
| | | Material | Drawn by |
| | | See Note | SA |
| | | E & OE | |
| | | Sheet No. | 1/2 |

GCT

www.globalconnectortechology.com

Global Connector Technology Ltd. - USB3090: Micro USB Receptacle, Type AB, Surface Mount, Horizontal, Bottom Mount (Standard), without Peg, with Outer Shell Stakes



| Products P/N | PCS/Reel | Reels/Carton | PCS/Carton |
|--------------|----------|--------------|------------|
| USB3090-30-A | 1500 | 5 | 7500 |

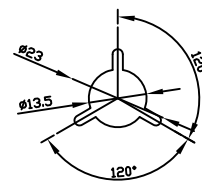
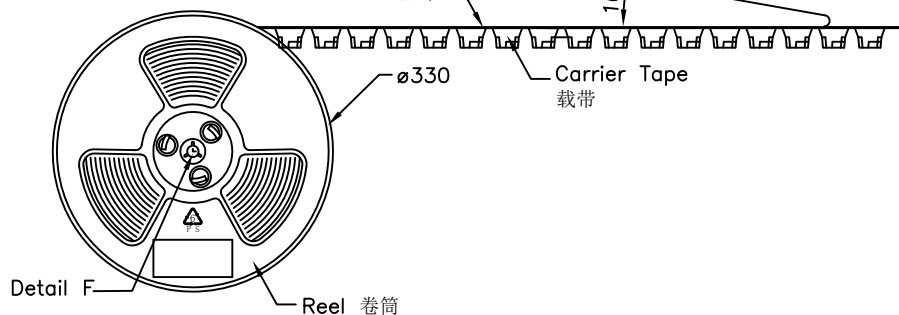
- Notes 注意:
1. Peeling off force of top tape: 0.1-1.3N
 2. Part Conforms to EIA-481-C Standards 产品符合EIA-481-C标准
 3. All dimensions in millimeters 所有尺寸均是毫米
 4. 10 sprocket hole pitch cumulative tolerance±0.2mm

I/O Direction
卷盤繞逆時針方向轉動

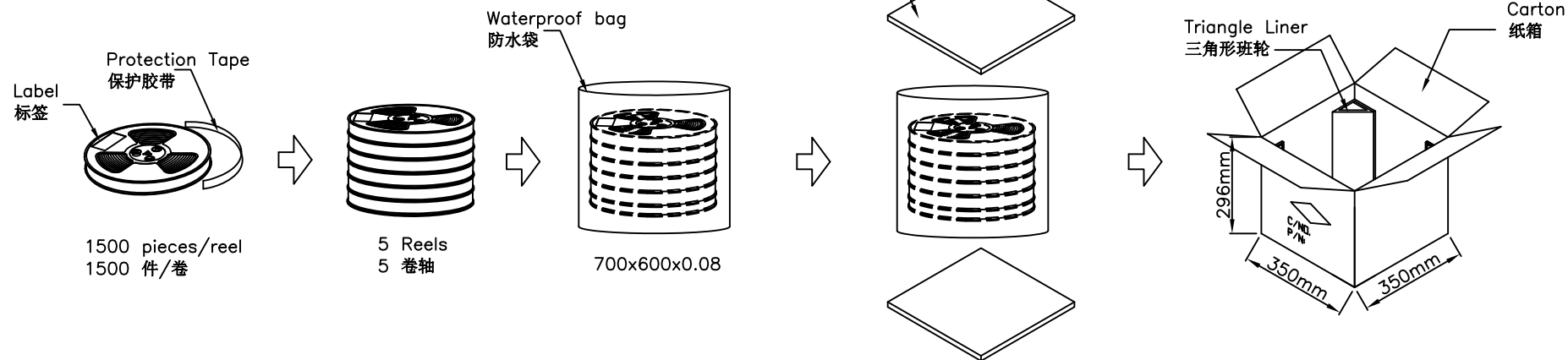
Cover Tape
蓋帶

Peel of Angle
剝皮角度

Carrier Tape
載帶



Detail F



| By | SA | CM |
|----------|-----------------|----------------|
| DETAIL | DRAWING RELEASE | DRAWING UPDATE |
| REV DATE | A 04/04/11 | B 26/10/11 |



| | | |
|------------------------------|--|---------------------|
| Tolerances (Except as noted) | Part Number:- USB3090 | Date:- 04 APR 11 |
| Dimensions in mm | Description:- μ USB RECEPTACLE, TYPE AB, SMT, R/A, BOTTOM MOUNT, WITHOUT PEG, WITH OUTER SHELL STAKES | |
| Third Angle Projection | © THIS DRAWING IS CONFIDENTIAL AND MUST NOT BE COPIED OR DISCLOSED WITHOUT WRITTEN CONSENT | |

GCT

www.globalconnectortechology.com

| Scale | Revision | Material | Drawn by | Sheet No. |
|-------|----------|----------|----------|---------------|
| NTS | B | See Note | SA | E & OE 2/2 |