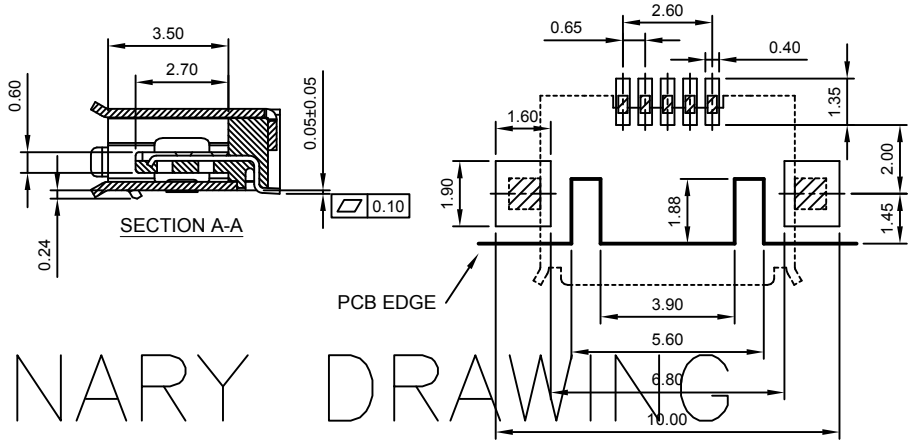
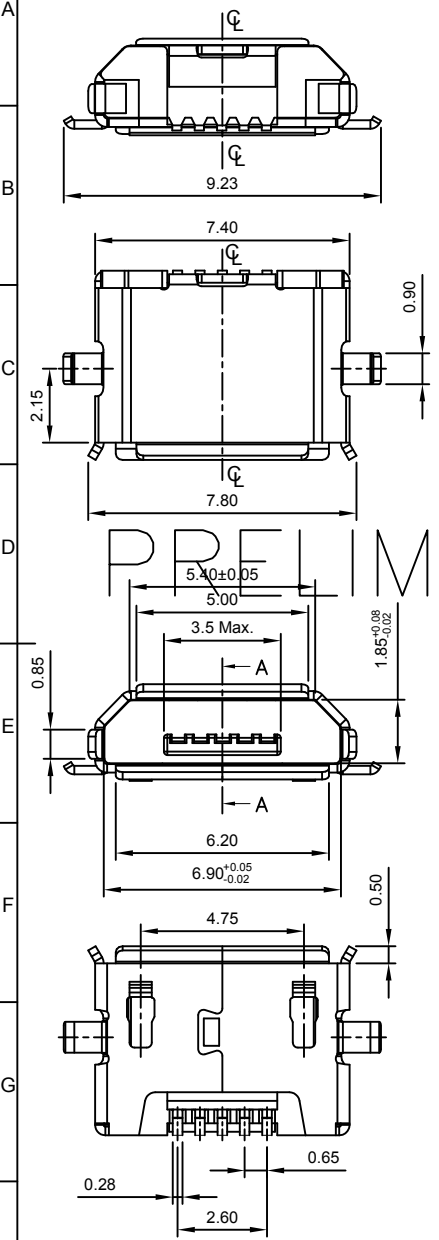
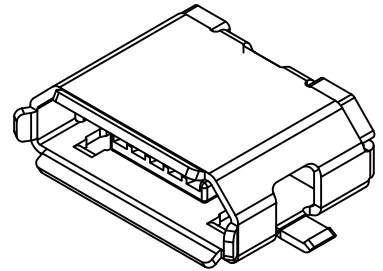


Designed to comply with physical, electrical and environmental requirements of Micro USB Standard (USB2.0).



RECOMMENDED P.C.B LAYOUT
GENERAL TOLERANCE: ±0.05
AS VIEWED FROM COMPONENT SIDE

Solder Area
 Component Outline

Ordering Grid

USB3100 — **30** — **A** REQUEST SAMPLES AND QUOTATION

Contact Plating 30 = 30u" Gold

Packing Options A = Tape & Reel (1.5K per Reel)

Specifications 规格:

Materials 材料:
 Plastic Housing 塑胶外壳: LCP, UL94V-0, Black, LCP, UL94V-0 黑色
 Contact Terminal 接触端子: Copper Alloy 铜合金
 Metallic Shell 金属外壳: Stainless Steel 不锈钢

Plating 电镀:

Underplating 底层电镀: 50μ" Nickel, 50μ" 镍
 Finish 表面处理: Contact Area 接触面积: 30μ" Gold plating, 30μ" 镀金
 Solder Tails 焊接末端: Gold Flash 镀金
 Metallic Shell 金属外壳: Matte Tin 雾锡

Electrical 电气规格:

Voltage Rating 电压额定值: 100 V AC
 Current Rating 电流额定值: Signal (Pins 2,3,4) 信号: 1.0A.
 Power (Pins 1,5) 电源: 1.8A.
 Operating Temperature 工作温度: -30°C to +85°C
 Contact Resistance 接触电阻值: 30mΩ Max.
 Insulating Resistance 绝缘电阻值: 1000MΩ Min.
 Dielectric Withstand Voltage 耐电压: 500V AC/Minute

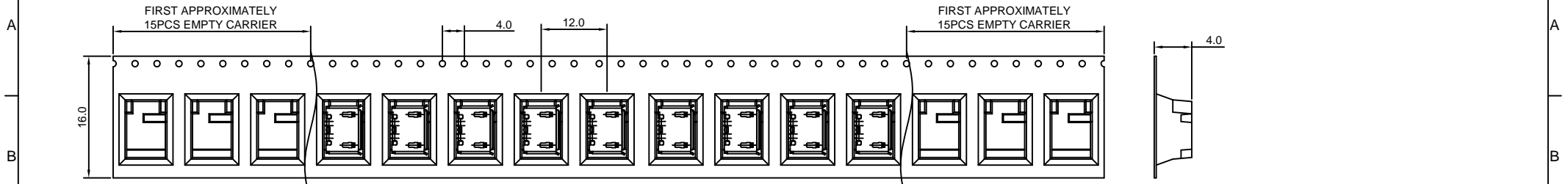
Mechanical 机械性规格:

Mating Force 插入力: 35N Max.
 Unmating Force 拔出力: 10N Min.
 Durability 耐久性: 10,000 Cycles 次插拔

By	SA	CM	ASE
DETAIL	PRELIMINARY	PRELIMINARY	PRELIMINARY
REV DATE	A 04/04/11	B 31/10/11	C 30/05/12

	Tolerances (Except as noted)	Part Number:-	Date:-						
	Dimensions in mm	USB3100	04 APR 11						
	X.X ± 0.2 X.X* ± 2° X.XX ± 0.10 X.XX* ± 1° X.XXX ± 0.05 X.XXX* ± 0.5°	Description:-	μ USB RECEPTACLE, TYPE B, SMT, HORIZONTAL, TOP (REVERSE) MOUNT, WITHOUT PEG		Scale	Revision	Material	Drawn by	Sheet No.
	Third Angle Projection	THIS DRAWING IS CONFIDENTIAL AND MUST NOT BE COPIED OR DISCLOSED WITHOUT WRITTEN CONSENT	NTS	C	See Note	SA	E & OE	1/2	

Global Connector Technology Ltd. - USB3100: Micro USB Receptacle, Type B, Surface Mount, Horizontal, Top (Reverse) Mount, without Peg



Products P/N	PCS/Reel	Reels/Carton	PCS/Carton
USB3100-30-A	1500	5	7500

I/O Direction
卷盤繞逆時針方向轉動

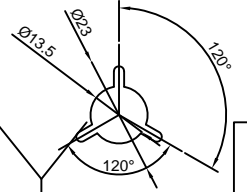
Cover Tape
蓋帶

Peel of Angle
剝皮角度

10°

Carrier Tape
載帶

ø330

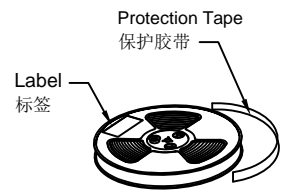


Detail F

- Notes注意:
1. Peeling off force of top tape: 0.1-1.3N
 2. Part Conforms to EIA-481-C Standards 产品符合EIA-481-C标准
 3. All dimensions in millimeters 所有尺寸均是毫米
 4. 10 sprocket hole pitch cumulative tolerance±0.2mm

PRELIMINARY DRAWING

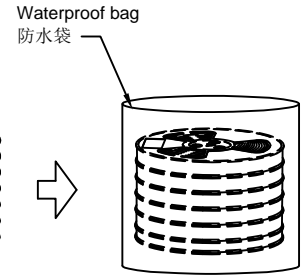
Detail F
Reel
卷筒



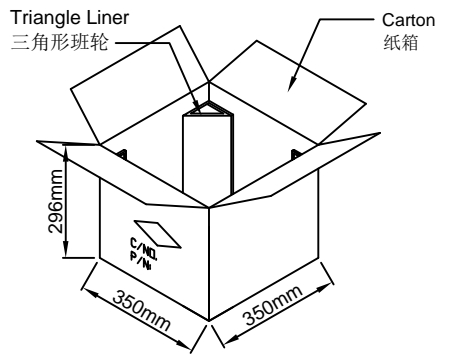
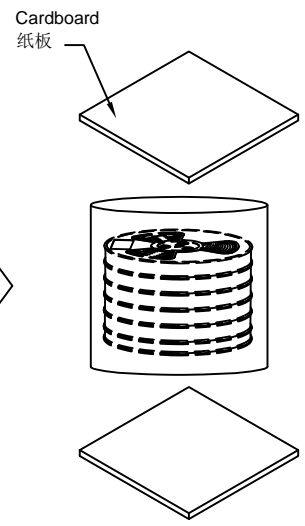
1500 pieces/reel
1500 件/卷



5 Reels
5 卷轴



700x600x0.08



By	SA	CM	ASE
DETAIL	PRELIMINARY	PRELIMINARY	PRELIMINARY
REV DATE	A 04/04/11	B 31/10/11	C 30/05/12



Tolerances (Except as noted)	Part Number:-	Date:-
Dimensions in mm	Description:-	
© THIS DRAWING IS CONFIDENTIAL AND MUST NOT BE COPIED OR DISCLOSED WITHOUT WRITTEN CONSENT		
Third Angle Projection	Scale NTS	Revision C

GCT

www.globalconnectortechnology.com

Material See Note	Drawn by SA	E & OE	Sheet No. 2/2
-------------------	-------------	--------	---------------